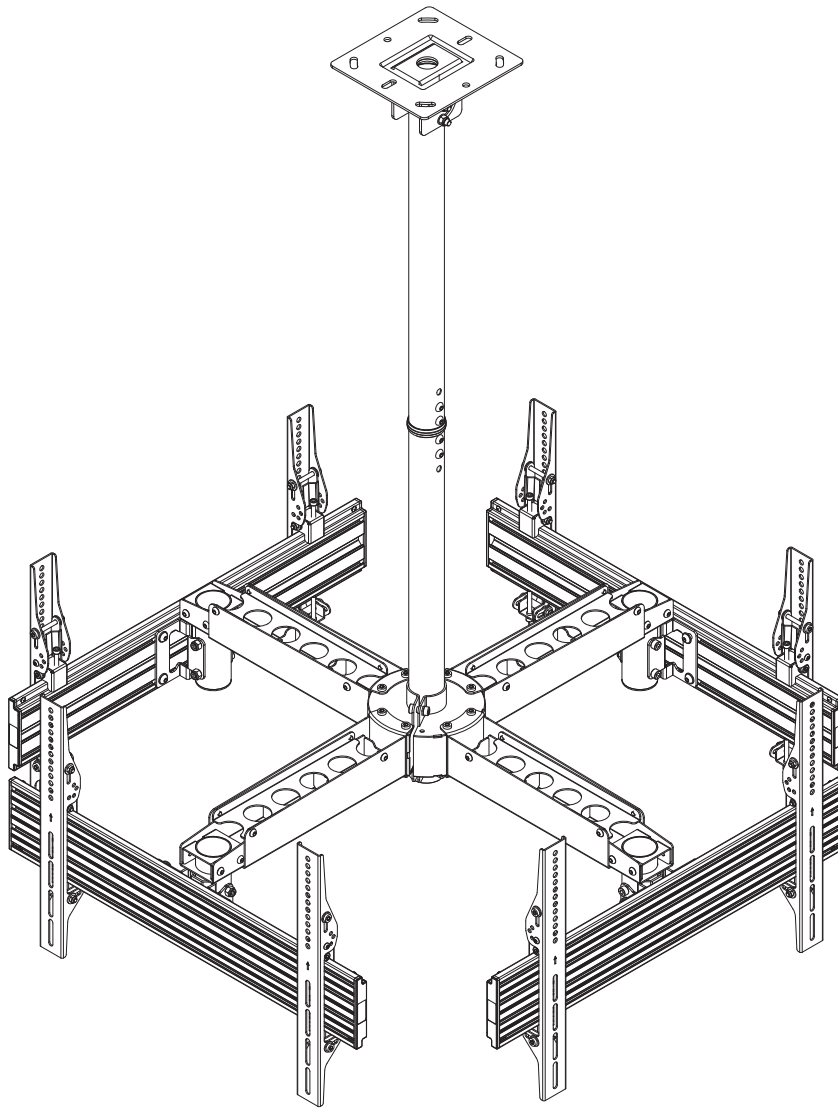




Quad Sided Ceiling TV Mount Bracket - For TVs 32in to 65in, Max Weight 66lbs per screen



Installation Guide

P/N **34196**

FEATURES

This quad TV monitor mount safely supports multiple displays from a single pole or column drop while maintaining the installer-friendly features of single ceiling mount.

This complete hardware kit for mounting 4 displays from the ceiling includes all hardware required for installation (with exception of ceiling bolts). It comes complete with a modular pipe drop to mount screens from 2.62 to 10.68 feet from the ceiling and a heavy duty ceiling adapter for structural or uni-strut mounting. It also has through-column cord management to keep cables safely tucked away and out of sight.

Additional Features Include:

- Adjustable sides to accommodate displays from 32"-65" at 66 lbs each
- VESA compatibility (100x100 - 600x400)
- 15° tilt range for each screen
- Complete 360° viewing via screens on each side
- Mountable to any pitch ceiling up to 90°
- All hardware included to hang screens 2.82 - 10.68ft from ceiling



INSTALLATION AND OPERATION

- This product should only be installed by a qualified structural contractor. Failure to follow proper structural code in regard to hanging equipment could result in serious injury or death.
- The ceiling structure to which this product will be attached must have a minimum load bearing capacity four times the total weight of the lift and any attached TV displays.

SAFETY WARNINGS AND GUIDELINES

Please read this entire manual before using this device, paying extra attention to these safety warnings and guidelines. Please keep this manual in a safe place for future reference.

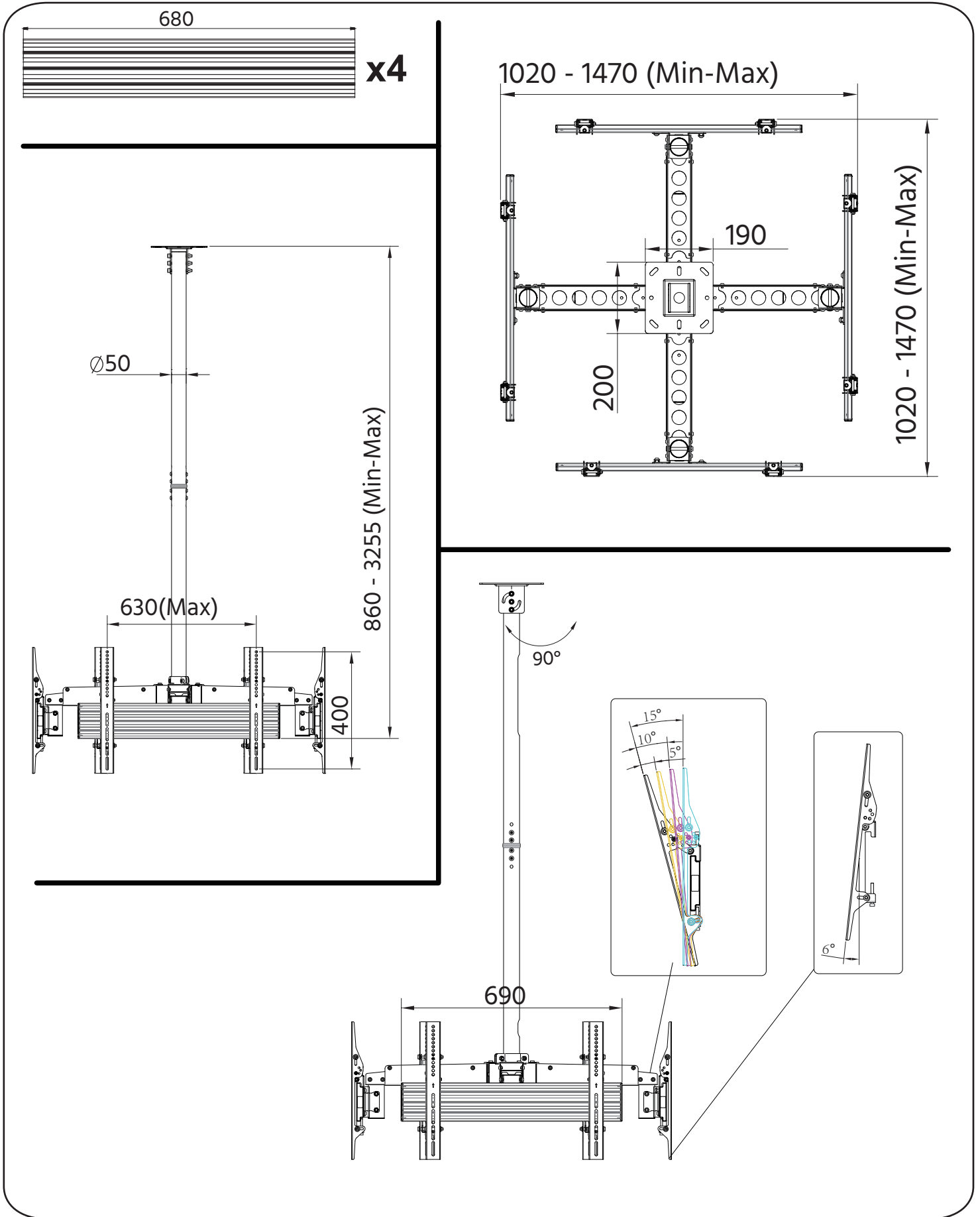
- Do not exceed the rated weight limit. Doing so can cause the mount to fail, resulting in equipment damage and/or severe personal injury.
- Ensure that the structure to which this mount will be installed is capable of supporting at least four times the total weight of the mount and any connected displays.
- Use the supplied mounting screws. Tighten screws using the appropriate tool, but take care not to over-tighten them.
- This device is intended for indoor use only.
- This device contains small parts that could pose a choking hazard to small children. Keep this device and its spare parts out of reach of small children.
- Inspect the installation at least once every three months to ensure that it is secure and safe to use.
- Please take an inventory of the package contents to ensure you have all the items shown in the Parts List. If anything is missing or damaged, please contact Monoprice Customer Service for a replacement.

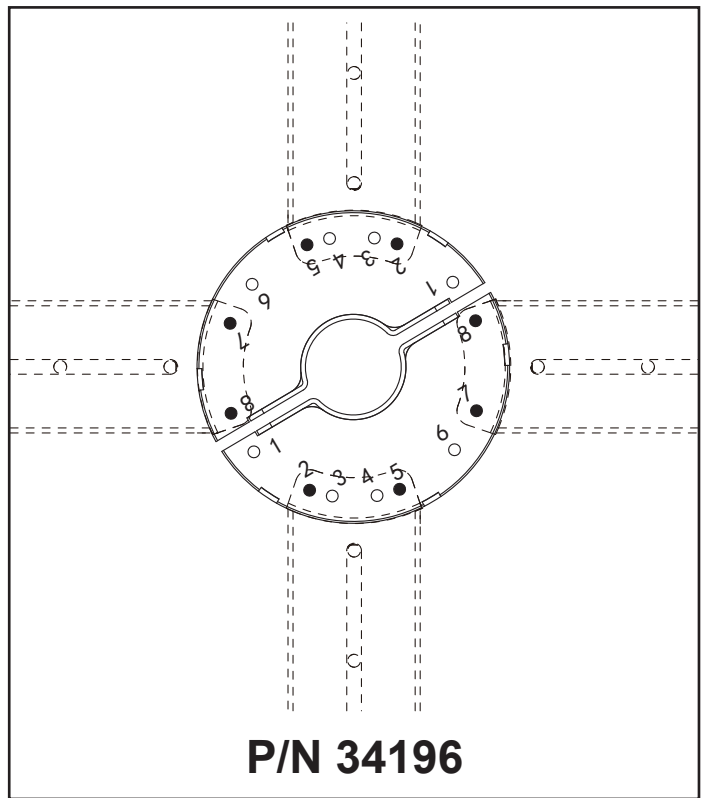
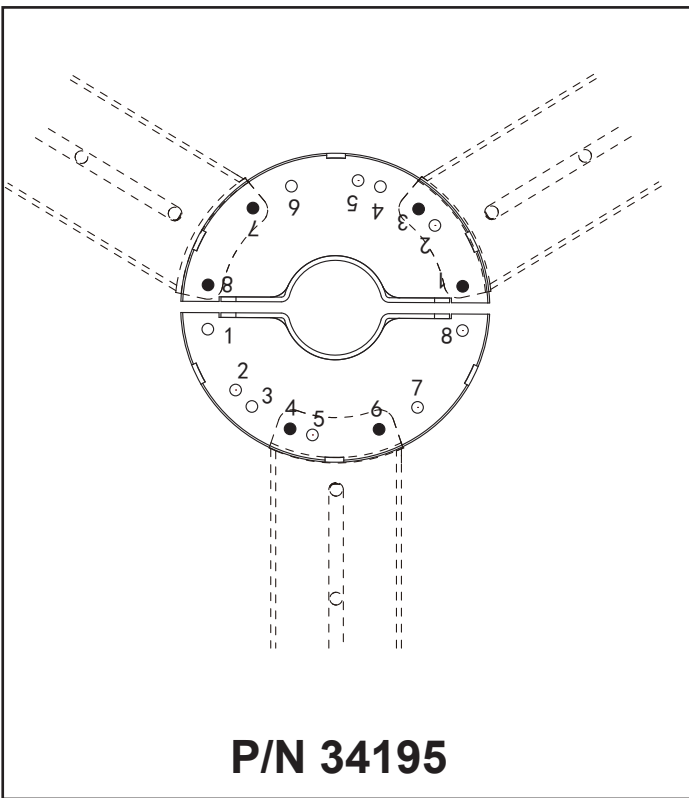
CUSTOMER SERVICE

The Monoprice Customer Service department is dedicated to ensuring that your ordering, purchasing, and delivery experience is second to none. If you have any problem with your order, please give us an opportunity to make it right. You can contact a Monoprice Customer Service representative through the Live Chat link on our website www.monoprice.com during normal business hours (Mon-Fri: 5am-7pm PT, Sat-Sun: 9am-6pm PT) or via email at support@monoprice.com

Dimensions (mm)

Product Weight: 29kg





Parts List

A1	A2	A3	A4
M5X15	M6X15	M8X15	Ø16XØ6.2X1.5
X4	X4	X4	X4

X3

B1	B2	B3	B4	B5	B6
M8X12	Ø16XØ8.2X1.5	4/5/6mm	M5X8	M6X8	M8
X12	X12	X1(Each)	X6	X12	X12

X1

C1	C2	C3	C4	C5	C6	C7	C8
M8X70	Ø16XØ8.2X1.5	M8	Lag bolt	Anchor	M8x65	M6x80	M6
X3	X12	X10	X6	X6	X7	X6	X6

X1

D1	D2	D3
	M8X12	
X2	X8	X1

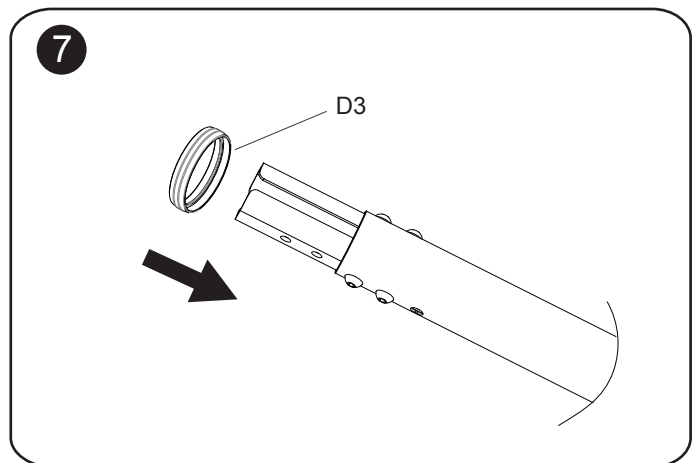
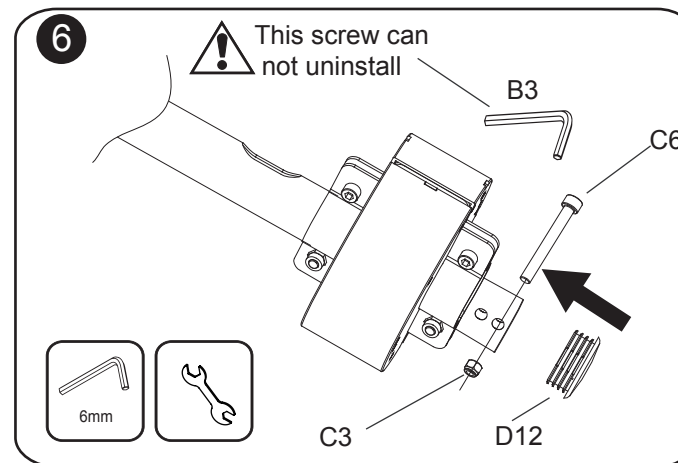
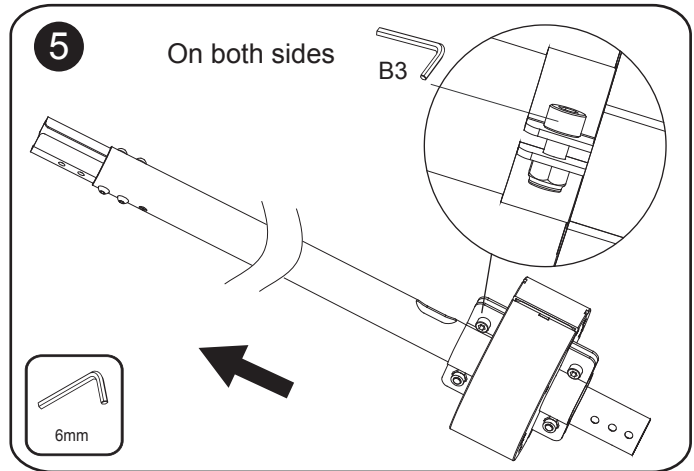
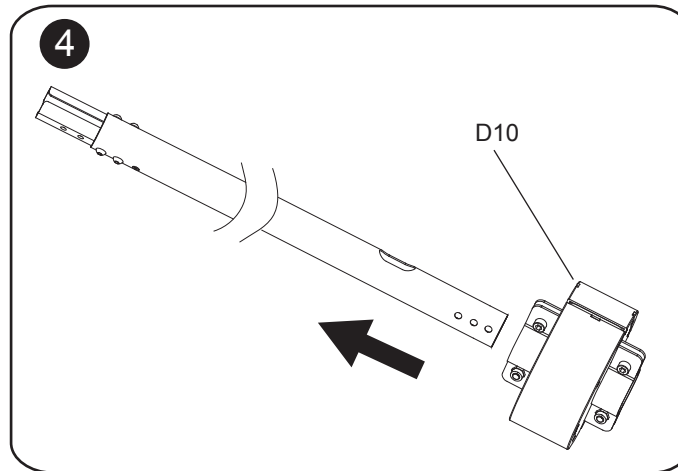
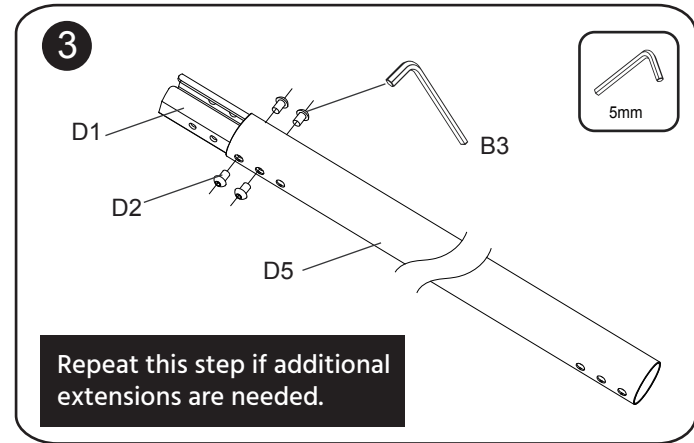
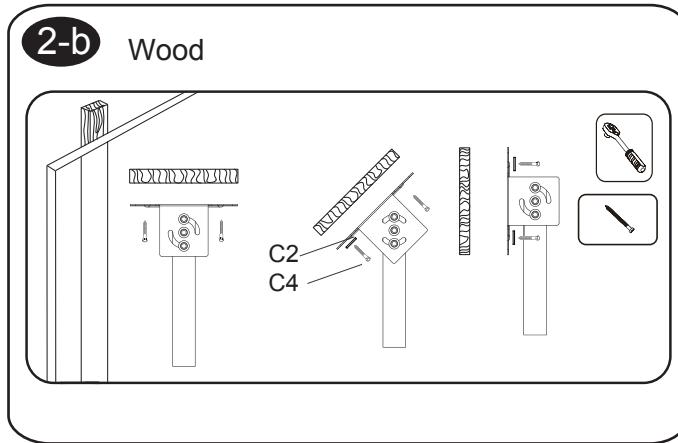
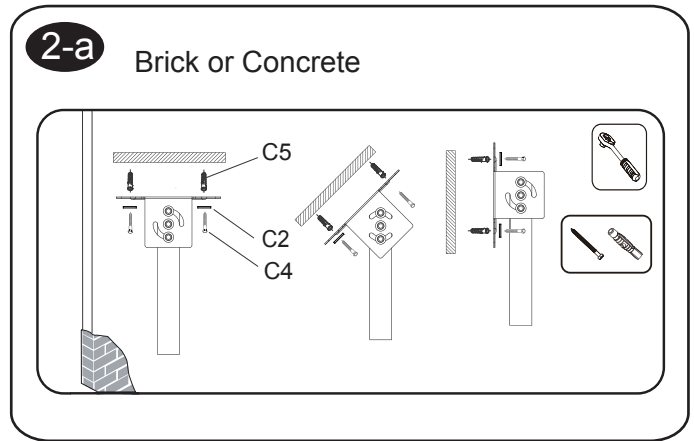
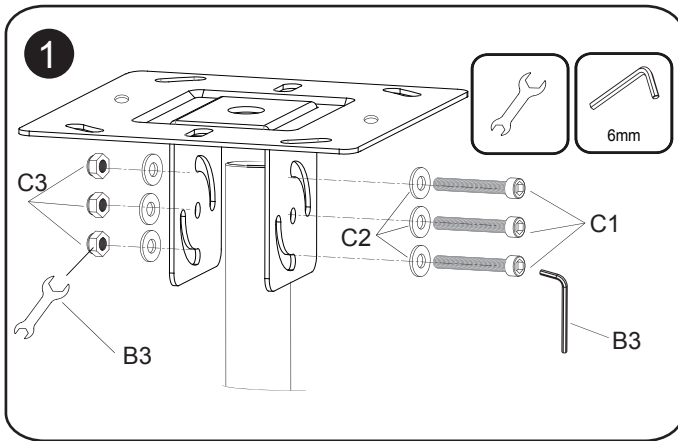
X3

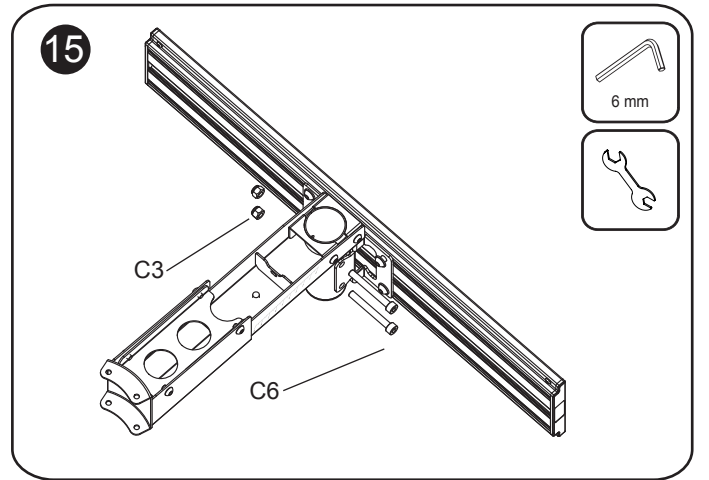
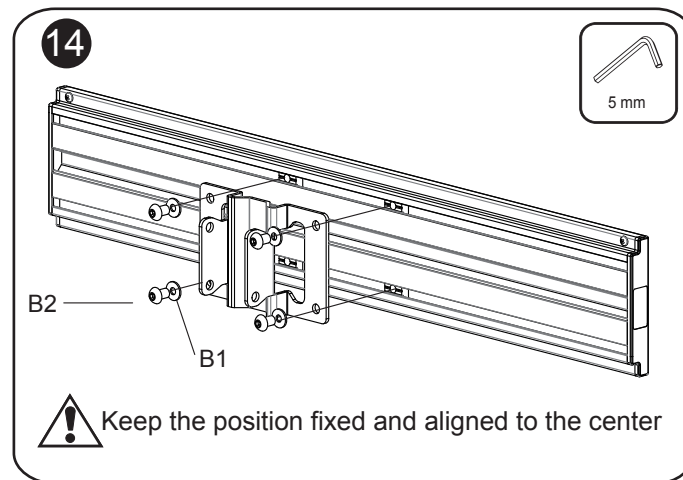
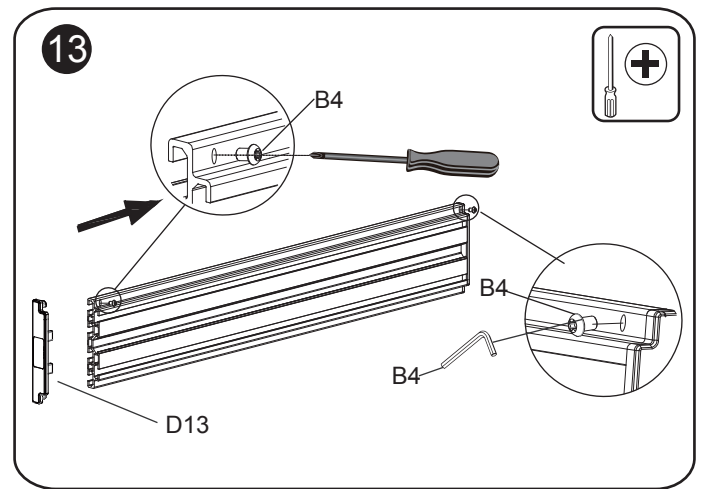
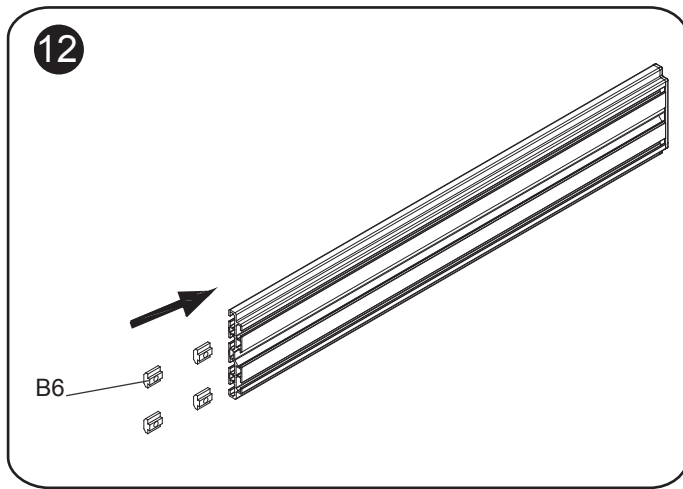
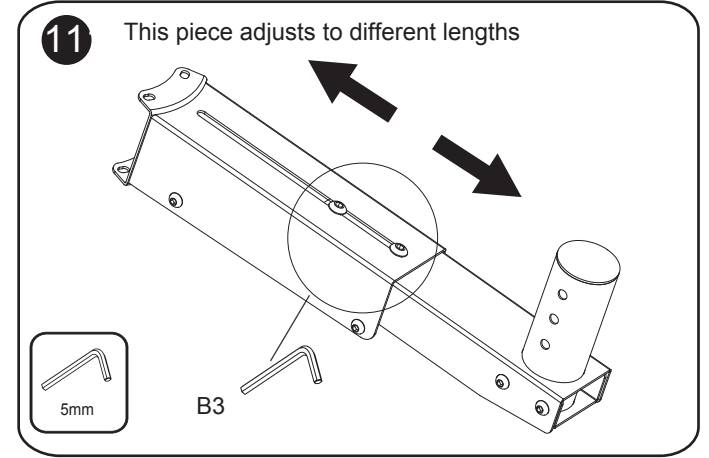
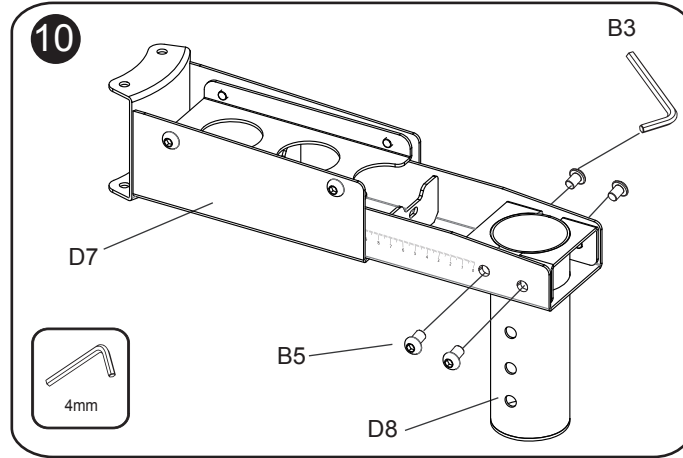
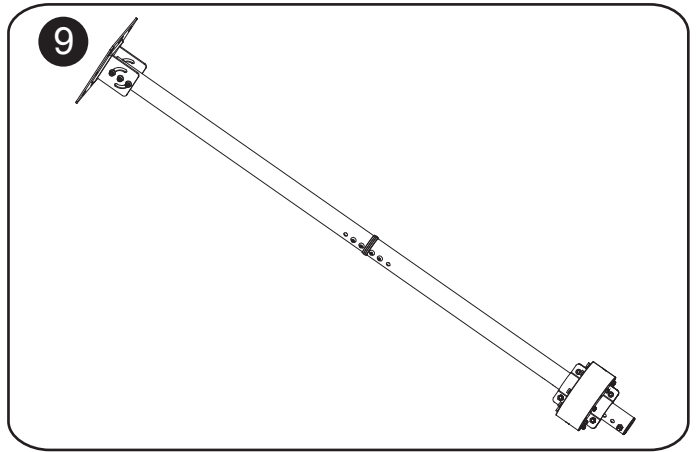
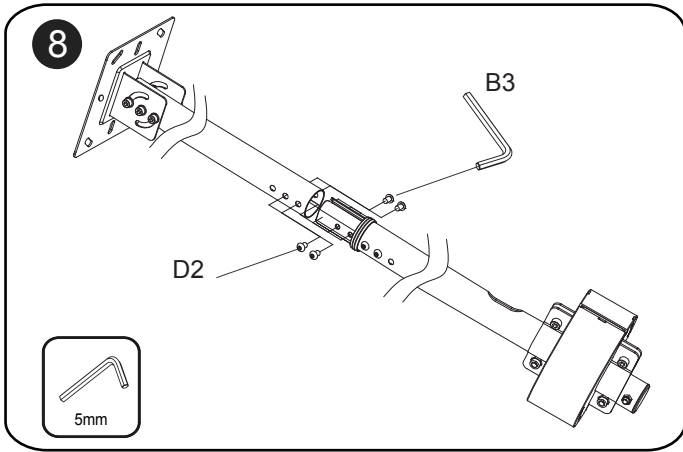
<p>D4</p> <p>X1</p>	<p>D5</p> <p>(50x800mm)</p> <p>X4</p>	<p>D6</p> <p>X3</p>	<p>D7</p> <p>34195: 260-325mm (Min-Max)</p> <p>34196: 415-635mm (Min-Max)</p> <p>X3</p>		
<p>D8</p> <p>X3</p>	<p>D9</p> <p>X3</p>	<p>D10</p> <p>X1</p>	<p>D11</p> <p>X6</p>	<p>D12</p> <p>X1</p>	<p>D13</p> <p>X6</p>

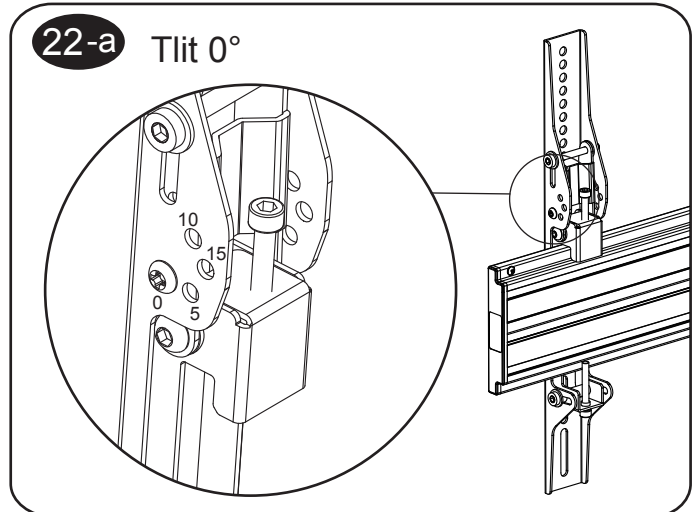
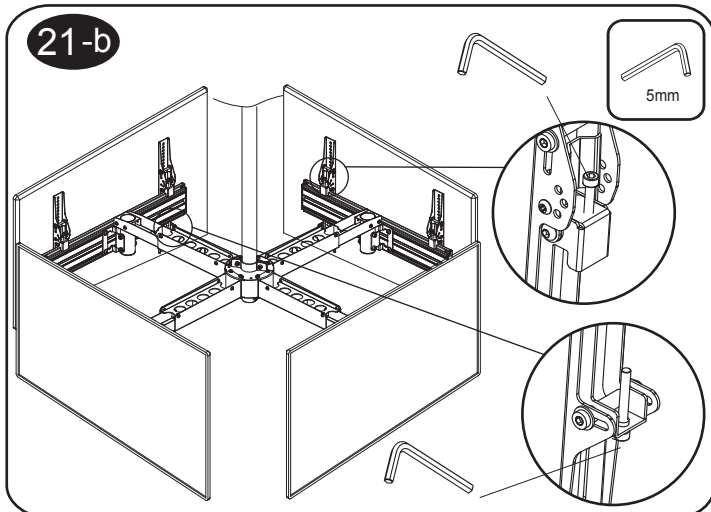
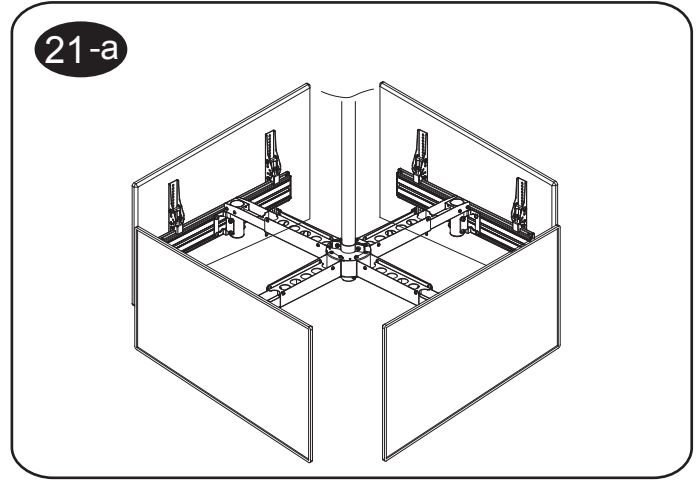
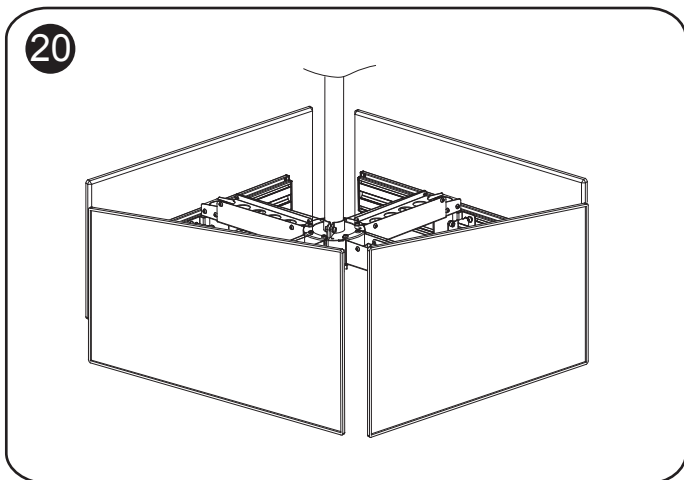
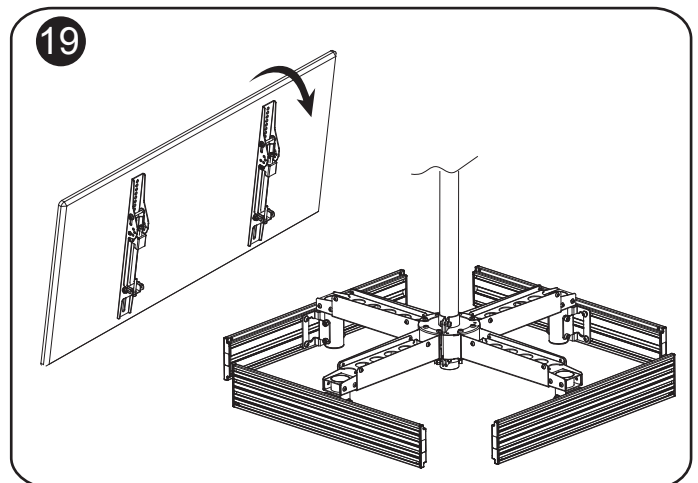
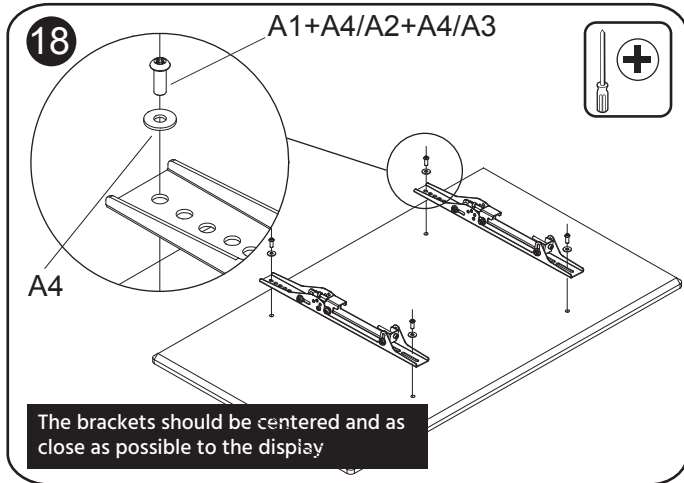
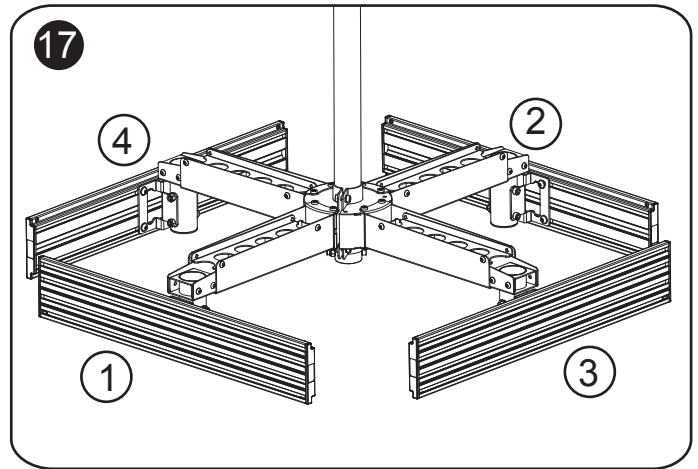
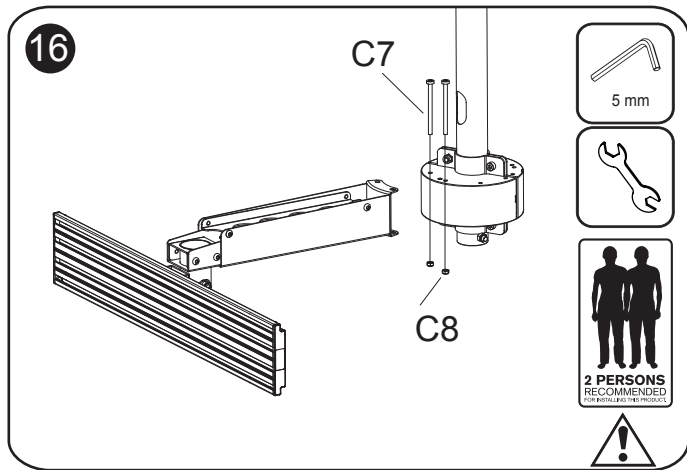
Installation



Incorrect usage or unsecured mounting surfaces and/or installation can cause serious injury or death. Consult a licensed contractor or structural engineer prior to installation of this product.

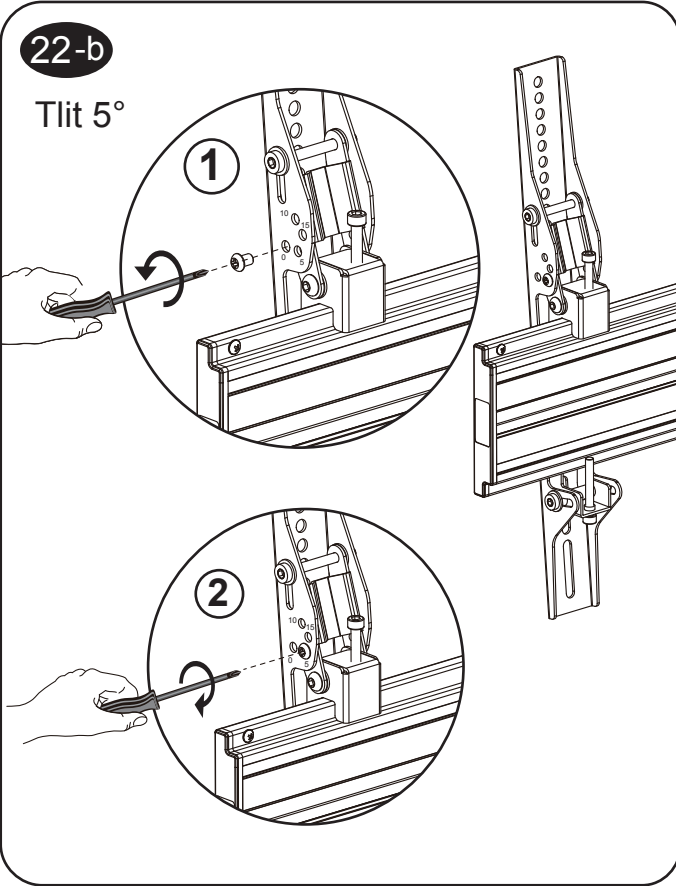






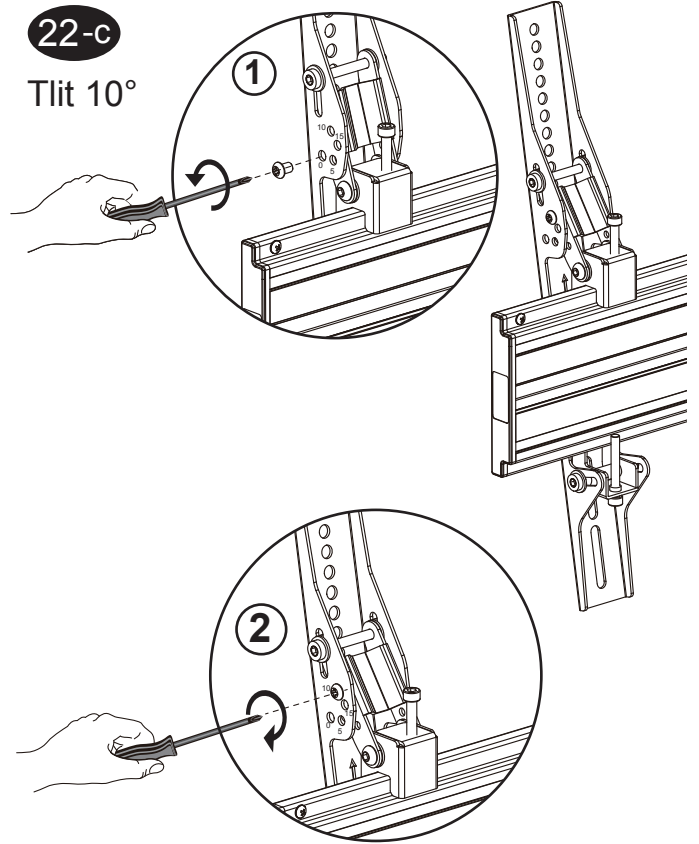
22-b

Tlit 5°



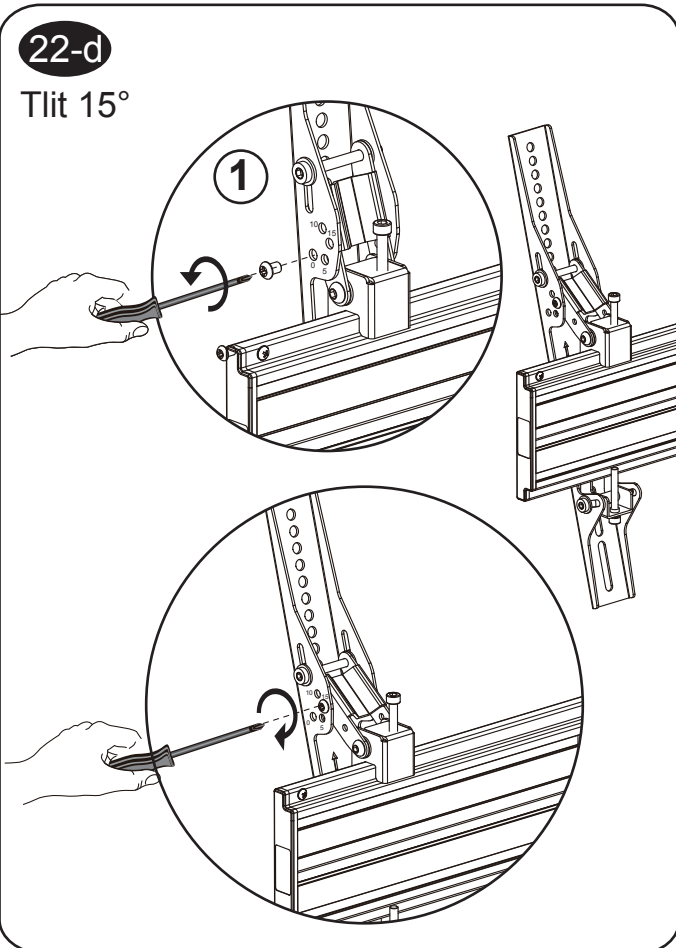
22-c

Tlit 10°

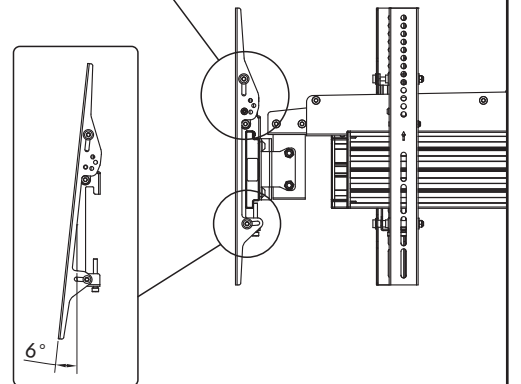
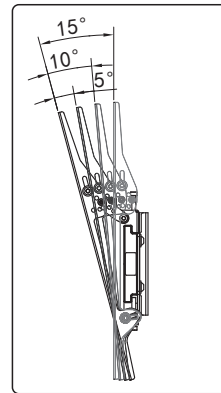


22-d

Tlit 15°



23 Single screen



24

wire cable

Cable ties

