

EN Read the entire instruction manual before you start installation and assembly. If you have any questions regarding any of the instructions or warnings, please contact Monoprice Customer Support.

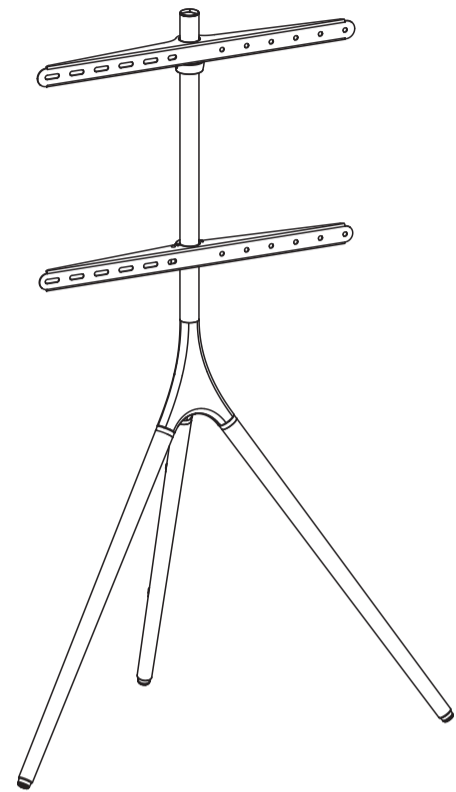
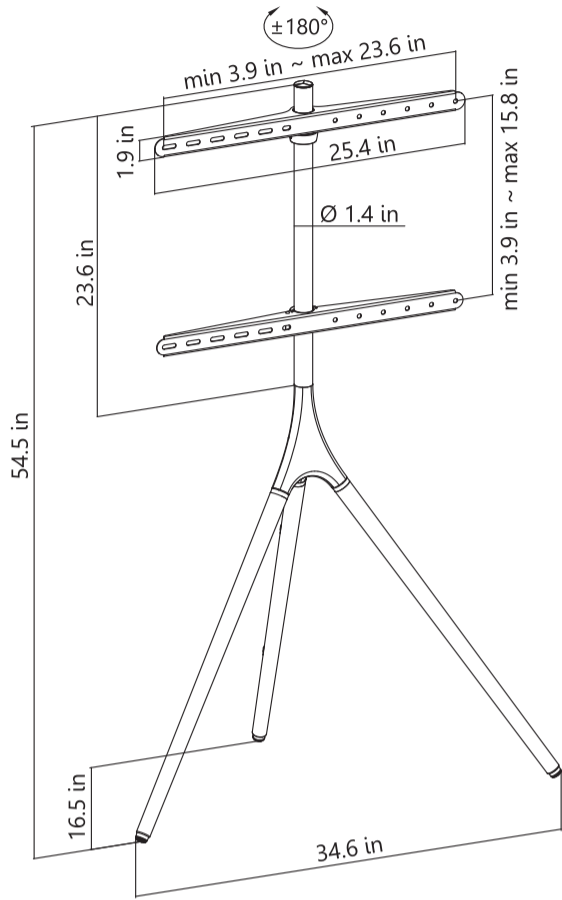
**CAUTION:** Use with products heavier than the rated weights indicated may result in instability causing possible injury.

- Mounts must be attached as specified in assembly instructions. Improper installation may result in damage or serious personal injury.
- The product should be assembled and installed using the proper tools and by following this manual.
- Make sure that the supporting surface will safely support the combined weight of the equipment and all attached hardware and components.
- Use the mounting screws provided and DO NOT OVER TIGHTEN mounting screws.
- This product contains small items that could be a choking hazard if swallowed. Keep these items away from children.
- This product is intended for indoor use only. Using this product outdoors could lead to product failure and personal injury.

**IMPORTANT:** Ensure that you have received all parts according to the component checklist prior to installation. If any parts are missing or faulty, call Monoprice Customer Support.

**MAINTENANCE:** Check that the bracket is secure and safe to use at regular intervals (at least every three months).

# Easel Studio TV Stand



### Safety Disclaimer

This product includes an anti-tip kit that must be used in conjunction with the product and will prevent the product from falling or tipping over. Please follow the enclosed information to properly install these safety accessories. In no event shall the Seller be liable for any direct, indirect, punitive, incidental, special consequential damages, to property or life, whatsoever arising out of or connected with the use or misuse of this product.

**P/N 35375**



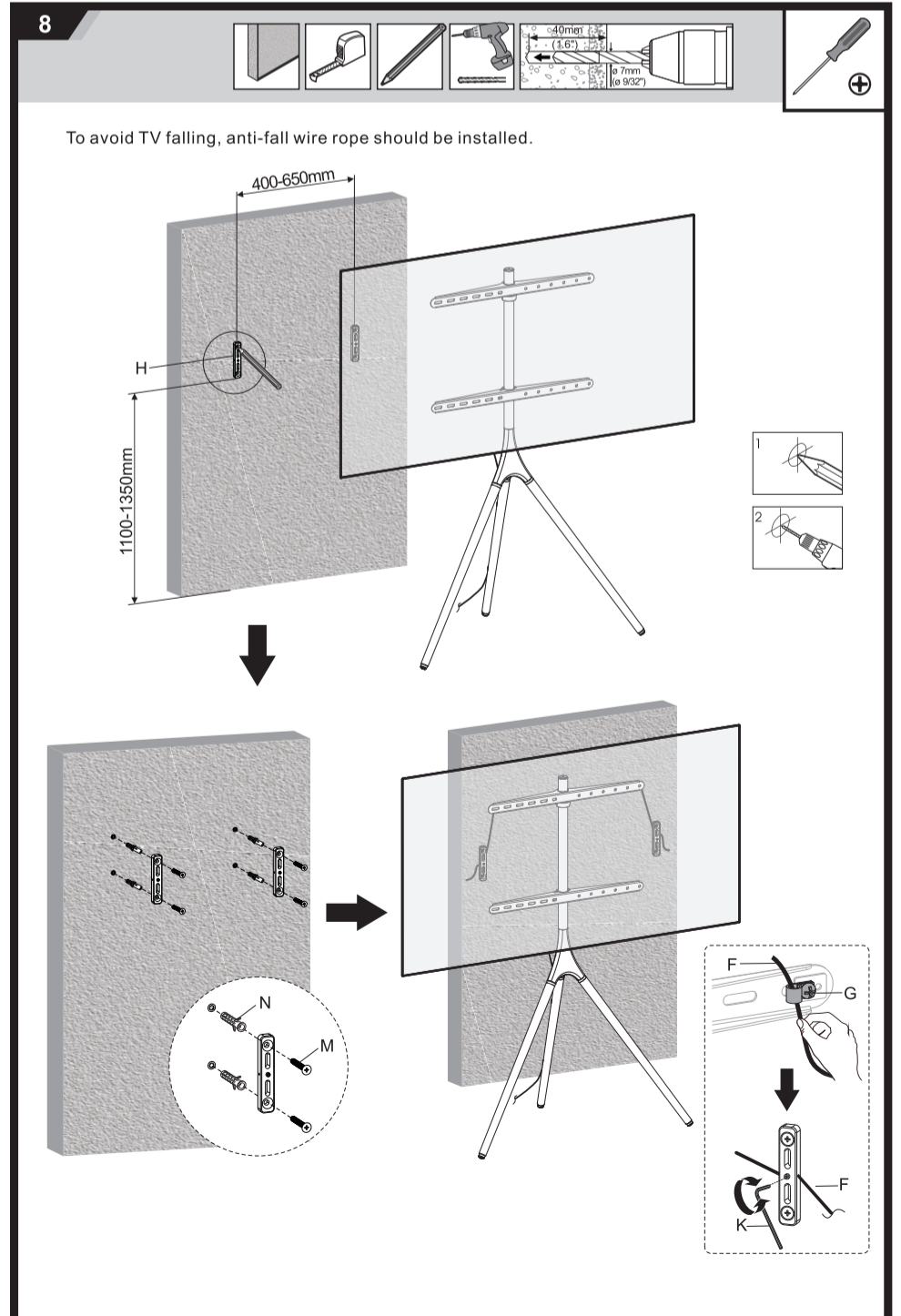
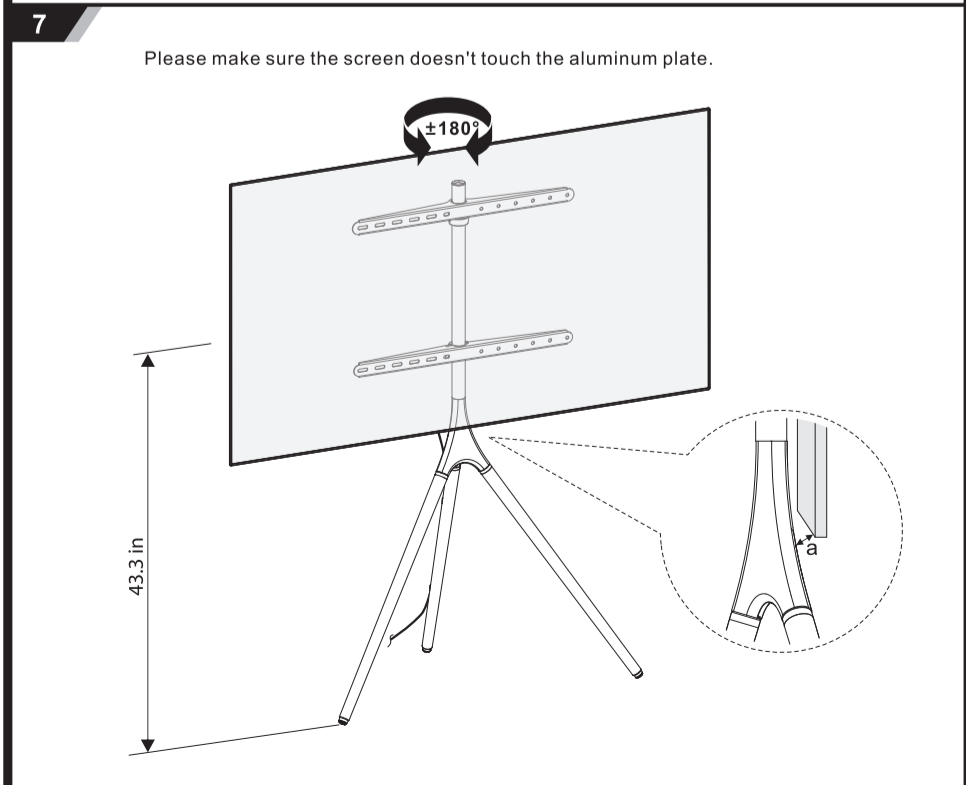
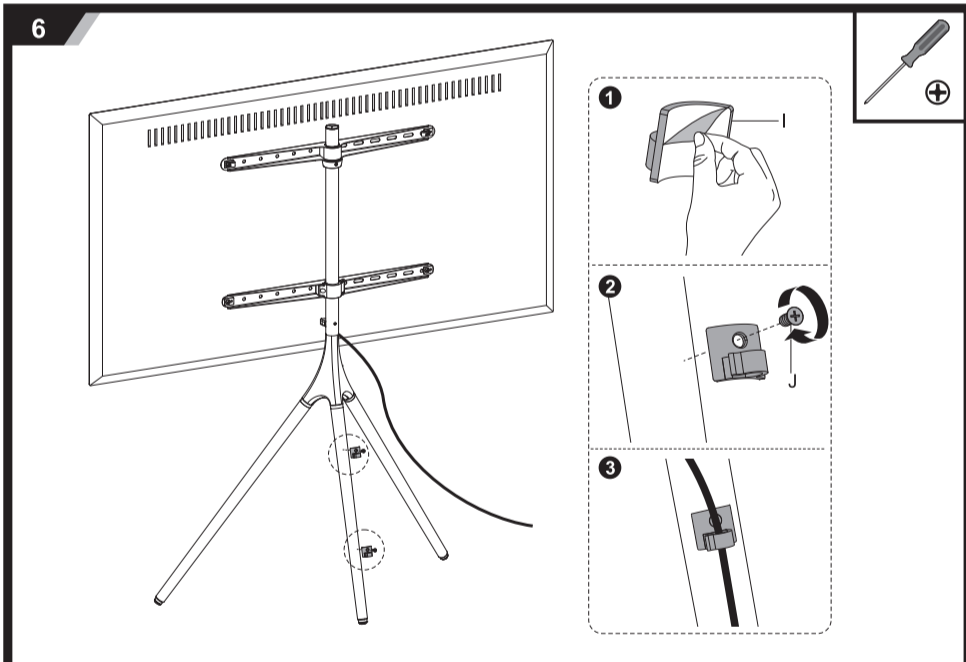
200x200/300x200  
300x300/400x200  
400x300/400x400  
600x400

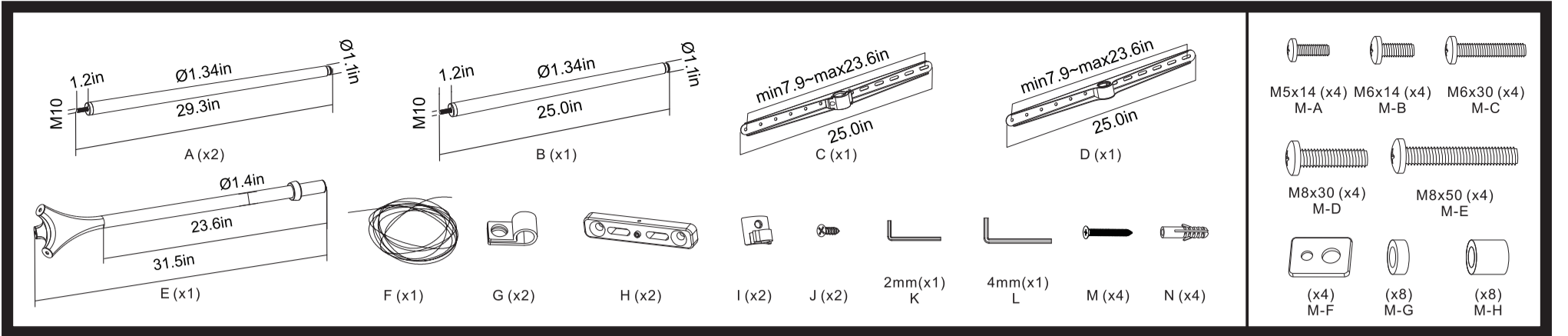


Normal Floor  
32kg  
(70.4lbs)  
RATED



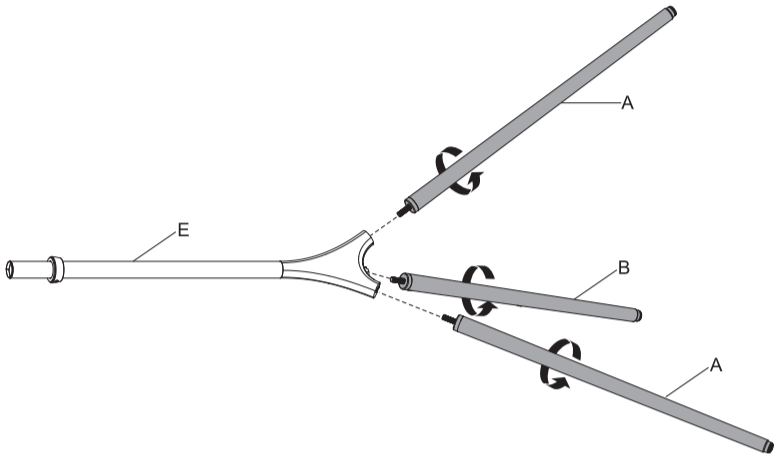
Glossy Floor  
25kg  
(55lbs)  
RATED



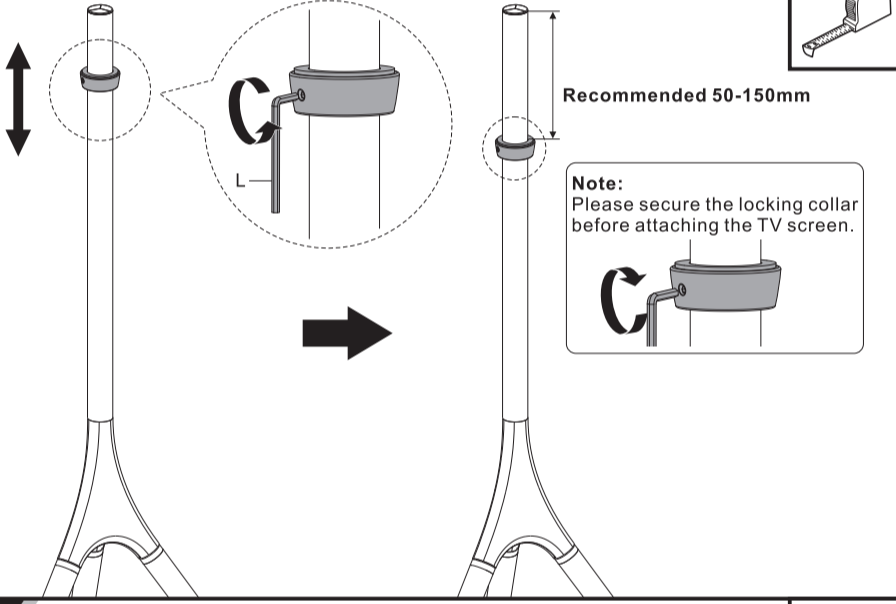


Please note that this product bears different weight load on glossy (such as wood) and normal floors (such as concrete).

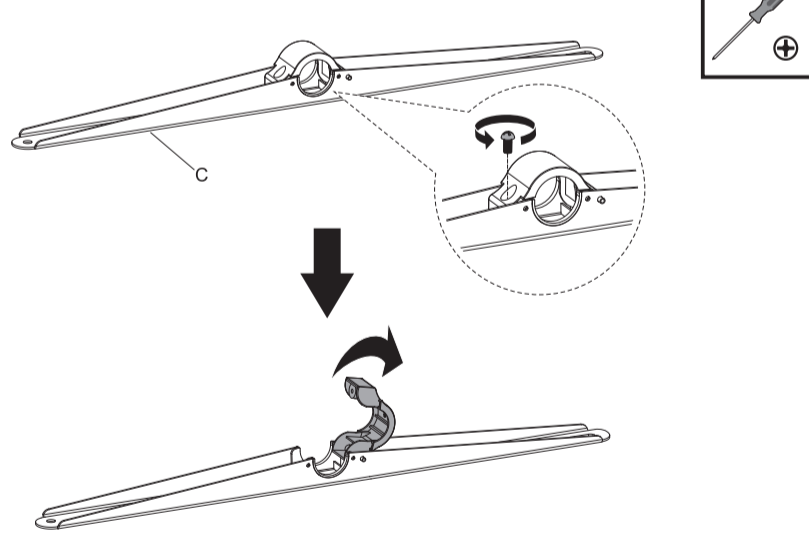
1



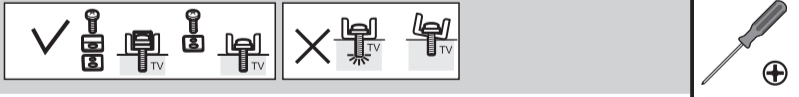
2



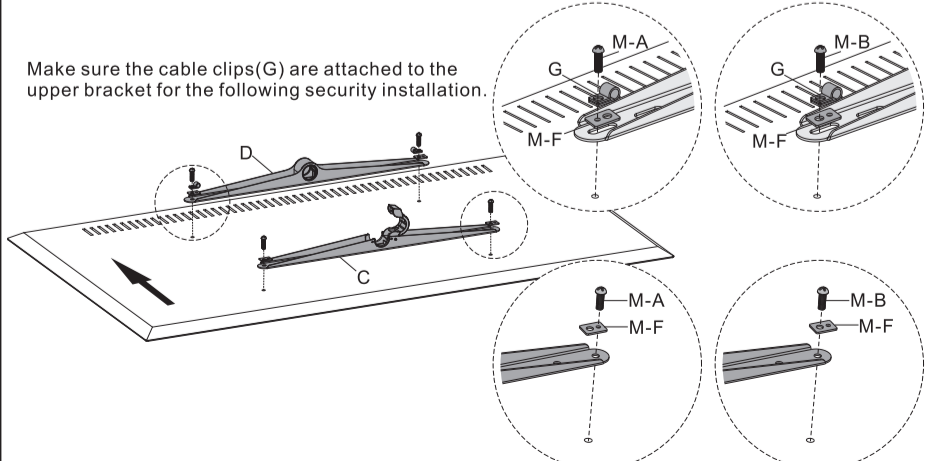
3



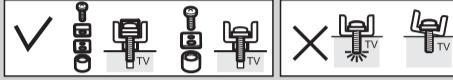
4a



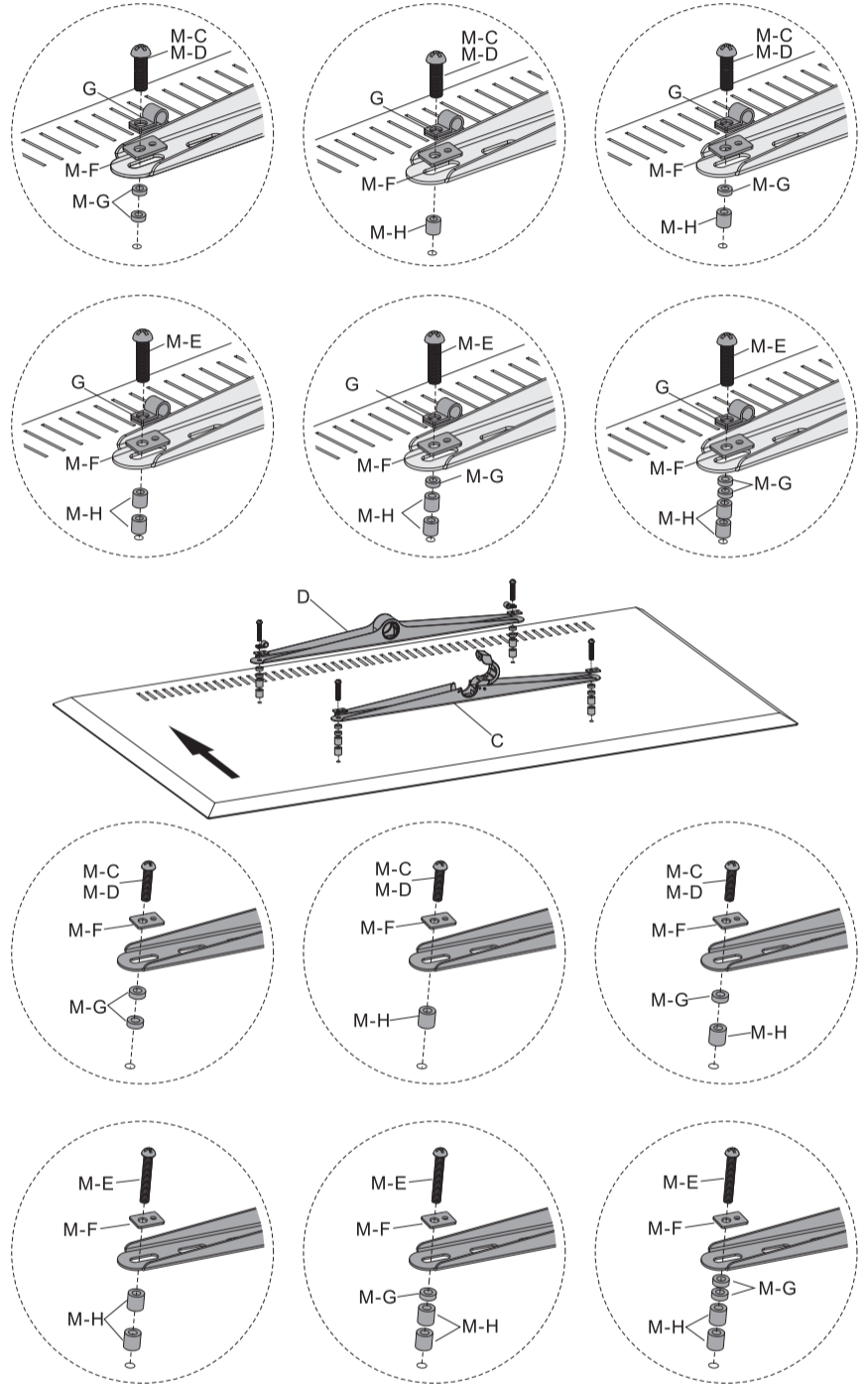
Make sure the cable clips (G) are attached to the upper bracket for the following security installation.



4b



Make sure the cable clips (G) are attached to the upper bracket for the following security installation.



5

