



Wireless Omnidirectional USB Conference Room Mic and Speaker



P/N 35521

User's Manual

SAFETY WARNINGS AND GUIDELINES

Please read this entire manual before using this device, paying extra attention to these safety warnings and guidelines. Please keep this manual in a safe place for future reference.

- This device is intended for indoor use only.
- Do not expose this device to water or moisture of any kind. Do not place drinks or other containers with moisture on or near the device. If moisture does get in or on the device, immediately unplug it from the power outlet and allow it to fully dry before reapplying power.
- This device contains a Lithium-polymer battery. Dispose of this device only in accordance with local, state, or federal regulations for electronic waste.
- Recharge the battery backup at least once every three months to keep the battery fresh and capable of holding the full charge.
- Do not subject the product to extreme force, shock, or fluctuations in temperature or humidity.
- Do not expose this device to excessively high temperatures. Do not place it in, on, or near heat sources, such as a fireplace, stove, radiator, etc. Do not leave it in direct sunlight.
- Clean using a soft, dry cloth only. Do not use chemical cleaners, solvents, or detergents. For stubborn deposits, moisten the cloth with warm water.
- This device has no user serviceable parts. Do not attempt to open, service, or modify this device.

INTRODUCTION

This Wireless Omnidirectional USB Conference Room Mic and Speaker is a high quality teleconferencing speakerphone for use with software or web-based conferencing systems. It features noise suppression and echo cancellation of up to 256 milliseconds. It has a 3.5mm stereo output jack for use with headphones or external speakers. It uses a 2.4GHz wireless USB connection for plug and play convenience with no driver installation required.

FEATURES

- Full duplex voice call technology for clear and simultaneous speaking and listening
- Three built-in digital microphones use beamforming array techniques for omnidirectional pickup of voices within 10 feet, while excluding sound picked up from beyond 16 feet
- Advanced echo cancellation and noise suppression
- Speaker optimized for voice audio output
- 2.4GHz wireless technology allows for interruption-free transmission at distances up to 32 feet
- Internal 2600mAh lithium battery provides up to 10 hours of operation and fully charges within 4 hours
- 3.5mm stereo output jack for use with headphones or external speakers
- Compatible with Windows® 7/8/10, Mac® OS X®, Chrome OS™, and Linux® without the need for drivers
- Compatible with popular conferencing software and web applications

CUSTOMER SERVICE

The Monoprice Customer Service department is dedicated to ensuring that your ordering, purchasing, and delivery experience is second to none. If you have any problem with your order, please give us an opportunity to make it right. You can contact a Monoprice Customer Service representative through the Live Chat link on our website www.monoprice.com or via email at support@monoprice.com. Check the website for support times and links.

PACKAGE CONTENTS

Please take an inventory of the package contents to ensure you have all the items listed below. If anything is missing or damaged, please contact Monoprice Customer Service for a replacement.

1x USB conferencing speakerphone

1x USB dongle with antenna

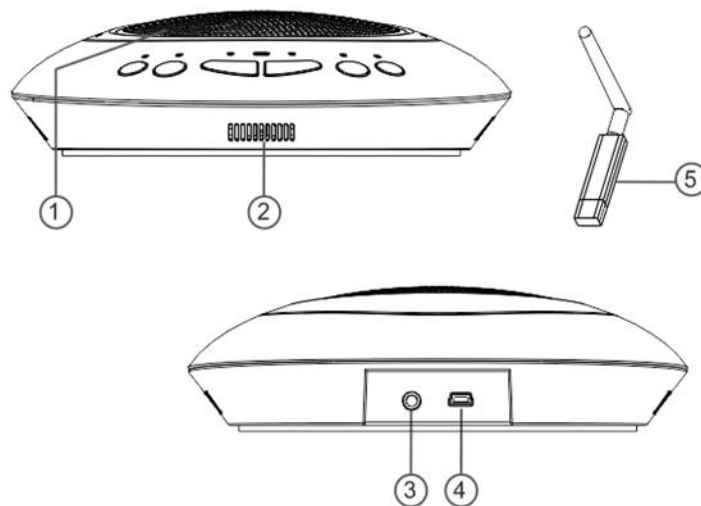
1x USB wall charger

1x USB cable

1x User's manual

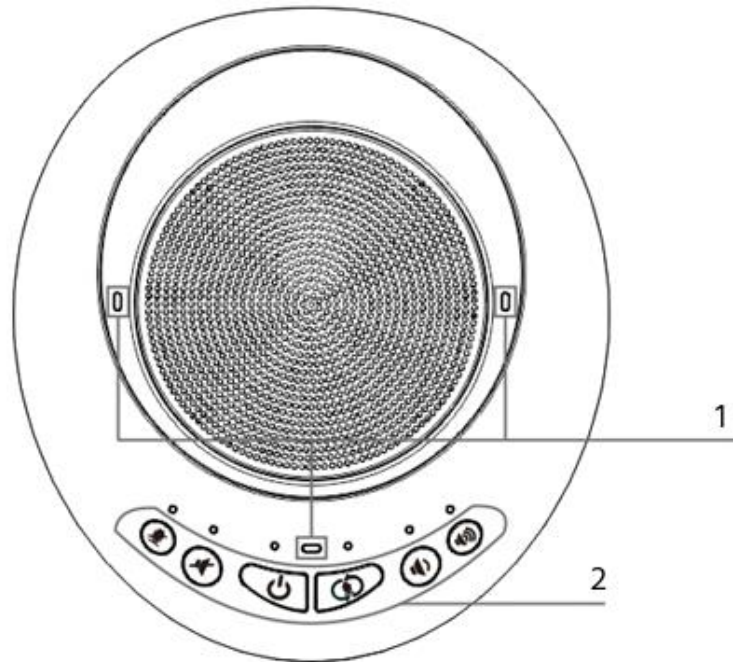
PRODUCT OVERVIEW

Front and Rear Views






1. Speaker
2. Omnidirectional Microphones
3. 3.5mm Audio Out
4. Mini USB Charging Port
5. USB Wireless Dongle



Top View



1. LED Indicators
2. Control Buttons

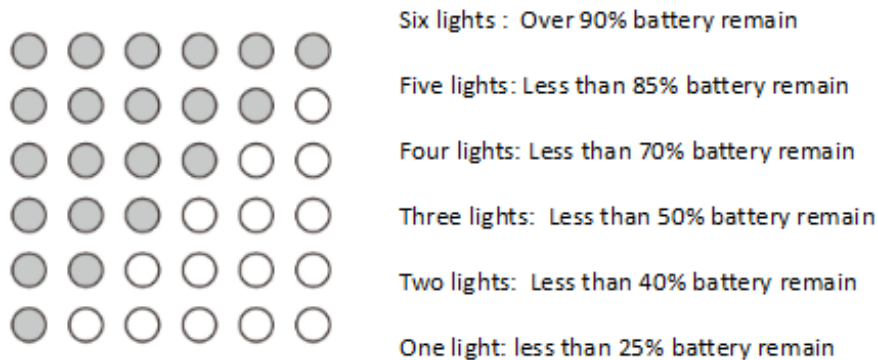
BUTTON FUNCTIONS

	Microphone Mute	Momentarily press the button to turn the microphone on/off. The LED illuminates orange when the mic is muted.
	Speaker Mute	Momentarily press the button to turn the speaker on/off. The LED illuminates orange when the speaker is muted.
	Power	Press and hold the button for 3 seconds to turn the device on/off. Momentarily press the button to display the remaining battery life.
HiFi	Speaker Mode	Momentarily press the button to swap between Music and Conferencing modes. The LED illuminates blue and the microphone is muted when Music mode is selected.

	Volume Down	Momentarily press the button to decrease the volume. The LEDs will momentarily illuminate blue to show the volume level. When the minimum volume level is reached, the first LED will flash blue.
	Volume Up	Momentarily press the button to increase the volume. The LEDs will momentarily illuminate blue to show the volume level.

BATTERY STATUS

Momentarily press the **Power** button to display the remaining battery life, as shown in the following chart.



CONNECTING TO A COMPUTER

1. Remove the cover from the USB plug on the included **USB Wireless Dongle**, then plug the dongle into an available USB port on your computer. The computer should automatically install the device and configure itself to use the speakerphone.
2. Press and hold the **Power** button on the speakerphone for about 3 seconds to power it on. Wait for it to establish a connection with the computer. While the

connection is being established, the three **LED Indicators** will flash blue. Once the connection is established, the **LED indicators** will illuminate blue continuously.

3. If your computer does not automatically configure itself to use the speakerphone, refer to one of the following sections, depending on your operating system.

Windows®

1. Right-click the task bar speaker icon, then choose **Open Sound Settings**.
2. Select **Speaker (2.4GHz Audio Device)** for the **Output Device**.
3. Select **Microphone (2.4GHz Audio Device)** for the **Input Device**.
4. If necessary, select the **Speaker** and **Microphone** in the conferencing applications settings.

Mac® OS X®

1. Go to **System Preferences > Sound**.
2. Click the **Output** tab, then select **2.4GHz Audio Device**.
3. Click the **Input** tab, then select **2.4GHz Audio Device**.
4. If necessary, select the **Speaker** and **Microphone** in the conferencing applications settings.

Chrome OS™

- Select **2.4GHz Audio Device** for the **Microphone** and **Speaker** in the conferencing application.

SPECIFICATIONS

Model	35521
Microphone Type	Full duplex omnidirectional microphone
Microphone Sensitivity	-22dBFS
Microphone Signal-to-Noise Ratio	60dB
Microphone Frequency Response	20Hz ~ 15kHz
Microphone Pickup Range	3 meter diameter optimal, maximum 5 meters
Echo Cancellation	Up to 256 milliseconds
Noise Suppression	>15dB
Sampling Rate	16kHz/48kHz
Wireless Frequency	2.4GHz
Audio Output	Built-in speaker or 3.5mm audio jack
Input Power	USB (5 VDC, 1A)
Battery Capacity	2600mAh
Battery Life	Up to 10 hours of talk time
Standby Battery Life	Up to 90 days
Charge Time	Up to 4 hours
Operating Temperature	+32 ~ +122°F (0 ~ +50°C)
Operating Humidity	0 ~ 95% RH, noncondensing
Dimensions	7.0" x 6.4" x 1.9" (178 x 162 x 47 mm)
Weight	15.0 oz. (425g)

TECHNICAL SUPPORT

Monoprice is pleased to provide free, live, online technical support to assist you with any questions you may have about installation, setup, troubleshooting, or product recommendations. If you ever need assistance with your new product, please come online to talk to one of our friendly and knowledgeable Tech Support Associates. Technical support is available through the online chat button on our website www.monoprice.com or through email by sending a message to tech@monoprice.com. Check the website for support times and links.

WORKSTREAM™ and the WORKSTREAM logo are trademarks of Monoprice Inc.

Microsoft® and Windows® are either registered trademarks or trademarks of Microsoft Corporation in the United States and/or other countries.

Apple®, Mac®, and OS X® are trademarks of Apple Inc., registered in the U.S. and other countries.

Google™, Chrome™, and Chrome OS™ are trademarks of Google LLC.

Linux® is the registered trademark of Linus Torvalds in the U.S. and other countries.