

Commercial Audio

40 Watt Wall Mount Music Amplifier



P/N 36374

User's Manual

SAFETY WARNINGS AND GUIDELINES

Please read this entire manual before using this device, paying extra attention to these safety warnings and guidelines. Please keep this manual in a safe place for future reference.

- This device is intended for indoor use only.
- Do not expose this device to water or moisture of any kind.
- Do not touch the device, the power cord, or any other connected cables with wet hands.
- Do not expose this device to excessively high temperatures. Do not place it in, on, or near heat sources, such as a fireplace, stove, radiator, etc. Do not leave it in direct sunlight.
- Do not place or install this device in an area where it can be exposed to excessive amounts of dust, humidity, oil, smoke, or combustible vapors.
- Prior to operation, check the unit for physical damage. Do not use if physical damage has occurred.
- Ensure that power is turned off and disconnected before making any electrical connections.
- Remove the battery from the controller if it will go unused for a lengthy period of time.
- Clean using a soft, dry cloth only. Do not use chemical cleaners, solvents, or detergents. For stubborn deposits, moisten the cloth with warm water.
- This device has no user serviceable parts. Do not attempt to open, service, or modify this device.
- Cables run through the wall must be rated for in-wall use.

FEATURES

- 40 watt class D differential amplifier (10 watts/channel RMS, 20 watts/channel peak)
- Includes IR remote control
- Bluetooth® radio for streaming audio from a paired device
- Built-in audio player compatible with wav, mp3, wva, flac, aiff, and wma files on a USB flash drive or microSD™ card
- Supports up to 16GB USB drives
- Supports up to 16GB microSD cards
- Built-in FM radio with automatic and manual tuning and the ability to store 20 station presets
- One AUX input with adjustable input sensitivity

CUSTOMER SERVICE

The Monoprice Customer Service department is dedicated to ensuring that your ordering, purchasing, and delivery experience is second to none. If you have any problem with your order, please give us an opportunity to make it right. You can contact a Monoprice Customer Service representative through the Live Chat link on our website www.monoprice.com or via email at support@monoprice.com. Check the website for support times and links.

PACKAGE CONTENTS

Please take an inventory of the package contents to ensure you have all the items listed below. If anything is missing or damaged, please contact Monoprice Customer Service for a replacement.

1x Wall mount music amplifier

1x Back box

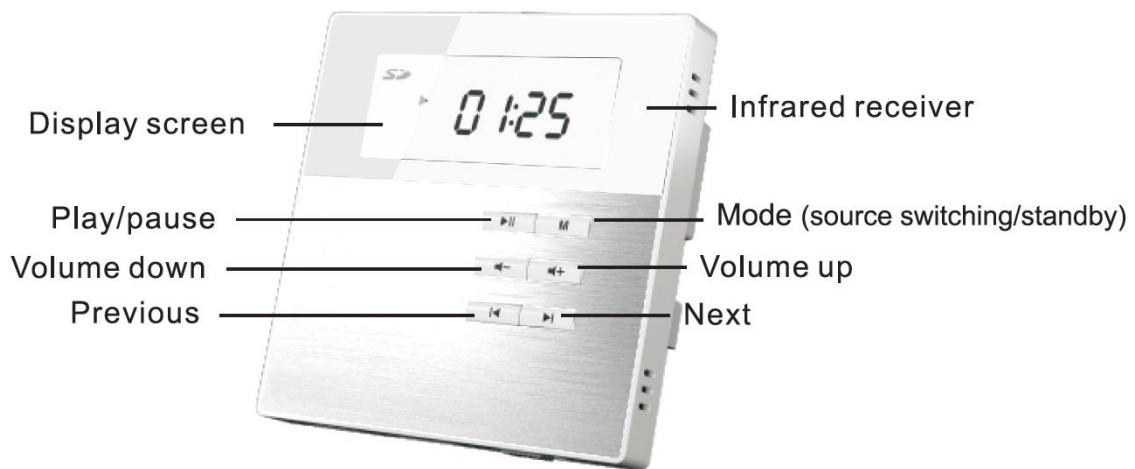
2x Machine screws

1x IR remote control with installed CR2032 battery

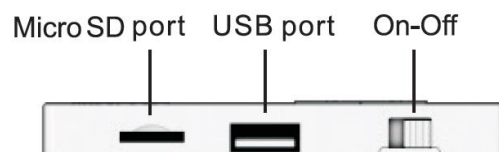
1x User's manual

PRODUCT OVERVIEW

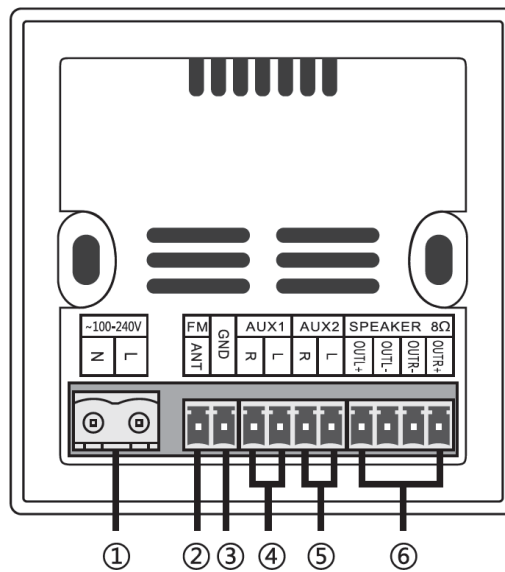
Front Panel



Bottom Panel



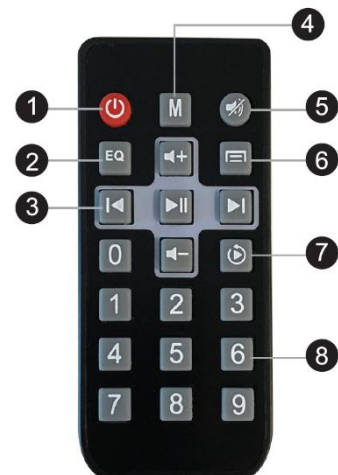
Rear Panel



1. **Power:** Power connector for connecting an AC power cord (not included).
2. **FM:** Connector for attaching an FM antenna (not included).
3. **GND:** Connector for attaching the signal ground/common.
4. **AUX IN:** Connectors for attaching the left and right channel inputs from a line level source.
5. **AUX OUT:** Connectors for attaching an external power amplifier or subwoofer.
6. **SPEAKER 8Ω:** Connectors for attaching the left and right channel speakers.

Remote Control

1. **Standby:** Press the button to turn the system on or to put it into standby mode.
2. **EQ:** Press the button to cycle through the Voice, Normal, Pop, Rock, and Jazz effects.
3. **Control Pad:** The control pad consists of five buttons, including Play/Pause, Previous Track, Next Track, Volume Up, and Volume Down.
4. **Mode:** Press the button to cycle through the FM, USB, microSD™, Bluetooth®, and AUX IN inputs.

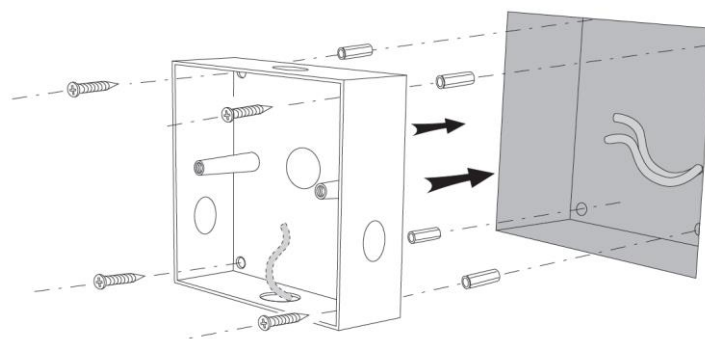


5. **Mute:** Press the button to turn audio muting on or off.
6. **Null:** Not used.
7. **Play Mode:** Press the button to toggle between the **Repeat All** and **Repeat 1** play modes. This is only available for the USB and SD™ input modes.
8. **Keypad:** In SD and USB playback modes, use the keypad to directly select the track to play.

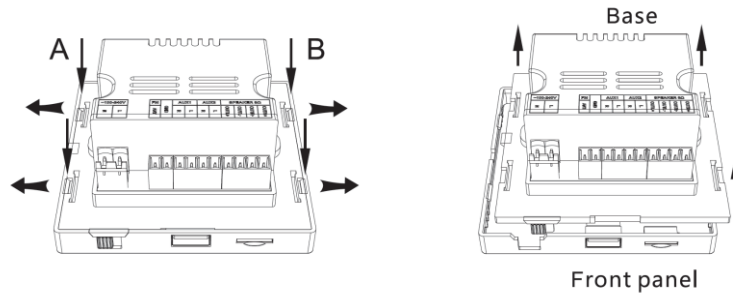
INSTALLATION

Important! Installation of structural materials and electric wiring should always be performed by a qualified contractor or engineer. All cables should be rated for in-wall use.

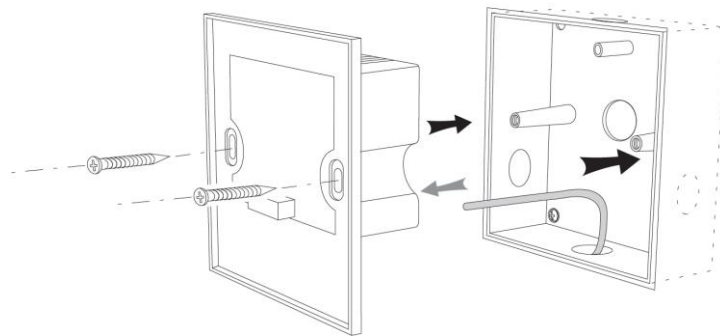
1. Select a location for the amplifier. Ensure that there are no obstructions behind the wall.
2. Using a drywall saw, cut a 3 5/16" x 3 5/16" (84.13 x 84.13 mm) square hole in the wall.
3. Ensure that the power cord and audio cabling is installed in the wall to the amplifier installation location.
4. Punch open needed holes in the back can, then pull the cables through the hole(s). Be sure to keep the power cord as far as possible from the audio cables.
5. Fit the back can into the hole, then use self-tapping screws (not included) to secure it to at least one stud or frame.



6. Select two buckles in either the A or B direction, as indicated in the image below. Pull the outer edge of it so that the snap is disengaged. Carefully disconnect the front panel from the amplifier base.



7. Make all audio and control connections to the amplifier connectors. Be sure to match polarity for all connections to ensure proper function and quality of sound.
8. Connect the amplifier base to the back can using the 2 included machine screws.



9. Attach the front panel to the amplifier base.

OPERATION

FM Radio

- Momentarily press the **M** button to start playing the last station selected.
- Press and hold the **Play/pause** button to start the automatic channel search. When a station with a strong enough signal is found, the amplifier will save it as a preset.
- Momentarily press the **Previous** or **Next** buttons to cycle through the saved station presets.
- Press and hold the **Previous** or **Next** button to enter manual tuning mode.

- Momentarily press either the **Previous** or **Next** buttons to decrease or increase the radio frequency in 0.1MHz increments. If no buttons are pressed within 5 seconds, the amplifier will exit manual tuning mode.
- Momentarily press the **Volume down** or **Volume up** buttons to adjust the volume level.


USB Mode

- Insert a USB flash drive with audio files into the USB port on the amplifier.
- Momentarily press the **M** button until **Usb** is visible on the **Display screen**. If no USB device is connected, the display will blink **NO**. If a USB device is present but no playable audio files are found, the display will show - - - -. If audio files are found, the display will briefly show the track number, then will change to show the track timer.
- Momentarily press the **Play/pause** button to pause and resume playback.
- Momentarily press the **Previous** or **Next** buttons to select tracks.
- Press and hold the **Previous** or **Next** buttons to rewind or fast forward through the track.

SD™ Card Mode

- Insert a microSD™ card into the microSD card slot on the amplifier.
- Momentarily press the **M** key until **SD** is visible on the **Display screen**. The system will start playing the last selected track. If no microSD card is present, the display will blink **NO**. If no readable audio files are found on the card, the display will show - - - -. If audio files are found, the display will briefly show the track number, then will change to show the track timer.
- Momentarily press the **Play/pause** button to pause and resume playback.
- Momentarily press the **Previous** or **Next** buttons to select tracks.
- Press and hold the **Previous** or **Next** buttons to rewind or fast forward through the track.

Bluetooth® Mode

- Momentarily press the **M** button until **BT** is visible on the **Display screen**.
- Open the Bluetooth settings on your mobile device, then scan for available Bluetooth devices. Locate and select the **MP36374** entry. If prompted for a passcode, enter **1234**. If the amplifier is not located, ensure that no other devices are paired.
- The Bluetooth symbol () will flash on the **Display screen** when the amplifier is ready to pair. The symbol will cease flashing when the amplifier is properly paired to a mobile device.
- Momentarily press the **Play/pause** button to pause and resume playback.
- Momentarily press the **Previous** or **Next** buttons to select tracks.
- Press and hold the **Previous** or **Next** buttons to rewind or fast forward through the track.

AUX IN Mode

- Momentarily press the **M** button until **AUX IN** is visible on the **Display screen**.
- Momentarily press the **Previous** or **Next** buttons to adjust the input sensitivity. **S1** represents a 500mV input and **S2** represents a 1000mV input.

TECHNICAL SUPPORT

Monoprice is pleased to provide free, live, online technical support to assist you with any questions you may have about installation, setup, troubleshooting, or product recommendations. If you ever need assistance with your new product, please come online to talk to one of our friendly and knowledgeable Tech Support Associates. Technical support is available through the online chat button on our website www.monoprice.com or through email by sending a message to tech@monoprice.com. Check the website for support times and links.

SPECIFICATIONS

Model	36374
Inputs	USB, microSD™ card, Bluetooth®, FM radio, line level AUX 1
Bluetooth Version	2.1 + EDR
Bluetooth Pairing Name	MP36374
Bluetooth Passcode	1234
Bluetooth Range	up to 32 feet (10 meters)
Output Power (RMS)	10 watts/channel into 8 ohms
Output Power (peak)	20 watts/channel into 8 ohms
AUX Input Sensitivity (adjustable)	500mV/1000mV
Frequency Response	20 Hz ~ 20 kHz
Total Harmonic Distortion	≤ 0.03% (1 watt @ 1kHz into 8 ohms)
Signal-to-Noise Ratio	> 82dB
IR Remote Control Effective Angle	±30°
IR Remote Control Effective Range	up to 32 feet (10 meters)
IR Remote Control Battery Type	1x CR2032
Input Power	100 ~ 240 VAC/ 50/60 Hz
Dimensions	3.4" x 3.4" x 1.5" (86 x 86 x 38 mm)

REGULATORY COMPLIANCE

Notice for FCC



This device complies with Part 15 of the FCC rules. Operation is subject to the following two conditions: (1) this device may not cause harmful interference, and (2) this device

must accept any interference received, including interference that may cause undesired operation.

Modifying the equipment without Monoprice's authorization may result in the equipment no longer complying with FCC requirements for Class B digital devices. In that event, your right to use the equipment may be limited by FCC regulations, and you may be required to correct any interference to radio or television communications at your own expense.

This equipment has been tested and found to comply with the limits for a Class B digital device, pursuant to Part 15 of the FCC Rules. These limits are designed to provide reasonable protection against harmful interference in a residential installation. This equipment generates, uses and can radiate radio frequency energy and, if not installed and used in accordance with the instructions, may cause harmful interference to radio communications. However, there is no guarantee that interference will not occur in a particular installation. If this equipment does cause harmful interference to radio or television reception, which can be determined by turning the equipment off and on, the user is encouraged to try to correct the interference by one or more of the following measures:

- Reorient or relocate the receiving antenna.
- Increase the separation between the equipment and receiver.
- Connect the equipment into an outlet on a circuit different from that to which the receiver is connected.
- Consult the dealer or an experienced radio/TV technician for help.

Radio Notice for FCC



Caution

This FCC Part 15 radio device operates on a non-interference basis with other devices operating at this frequency. Any changes or modification to said product not expressly approved by Monoprice, including the use of non-approved antennas, could void the user's authority to operate this device.

This device complies with Part 15 of the FCC Rules. Operation is subject to the following two conditions: (1) this device may not cause harmful interference, and (2) this device

must accept any interference received, including interference that may cause undesired operation.

Notice for Industry Canada



This Class B digital apparatus complies with Canadian ICES-003.

Cet appareil numérique de la classe B est conforme à la norme NMB-003 du Canada.

Radio Notice for Industry Canada



Caution

This IC RSS-210 radio device operates on a non-interference basis with other devices operating at this frequency. Any changes or modification to said product not expressly approved by Monoprice, including the use of non-approved antennas, could void the user's authority to operate this device.

This device complies with IC RSS-210. Operation is subject to the following two conditions: (1) this device may not cause harmful interference, and (2) this device must accept any interference received, including interference that may cause undesired operation.

*The Bluetooth® word mark and logos are registered trademarks of Bluetooth SIG, Inc.
SD™, microSD™, and the SD logo are trademarks of SD-3C, LLC.*