

## Instruction / Installation Sheet

### DataComm Electronics 45-0021 Recessed Low Voltage Cable Plate with Recessed Power



DataComm Electronics, Inc.  
6349 Peachtree Street  
Norcross, GA 30071-1725  
888.223.7977  
770.662.8205  
www.datacommelectronics.com

Use Data Comm Electronics Recessed Low Voltage Cable Plate with Recessed Power to install low voltage cables behind your flat panel TV, your amplifier or other audio and video devices.

The 45-0021 Recessed Low Voltage Cable Plate with Recessed Power can be installed upright or upside down. Please read all instructions before installing this product.

#### To Install 45-0021 Recessed Low Voltage Cable Plate with Recessed Power with a Flat Panel TV Bracket

For retrofit work, determine the location of your flat panel TV mounting bracket. Using the template supplied (see back of instruction sheet), trace the opening needed. Using a drywall knife cut a hole in the drywall the size of the template. Insert a single gang retrofit workbox (like one shown in picture). Securely fasten the workbox to the wall. Switch the appropriate circuit breaker OFF or remove fuse(s) before wiring. Run a source of power to this workbox. Connect hot line (black) wire to brass colored terminal or screw and neutral (white) wire to silver colored terminal or screw. Be sure to connect grounding (green) or bare grounding wire to green colored terminal screw (**see Figure 1**). For shock protection, this UR, UL recognized component receptacle must be properly grounded. Caution – use copper wire only with this receptacle.

Once you have wired the receptacle, begin by inserting receptacle portion of the plate into the retrofit work box. Once the entire recessed plate is flush to the wall, using the two white screws supplied, screw the receptacle portion of the plate to the work box.

Next, screw down the screws with wings. These wings will fasten tightly against the back of the drywall. Switch appropriate circuit breaker ON or insert fuse(s). Plug all necessary video and audio cables. Install your flat panel TV mounting bracket per the flat panel TV bracket manufacturer's instructions. Make sure to read all instructions.

For new construction installations simply use a new nail on box and follow all other instructions.

**INSTRUCTIONS ARE CONTINUED ON THE BACK  
SIDE OF THIS PAGE**

Figure 1

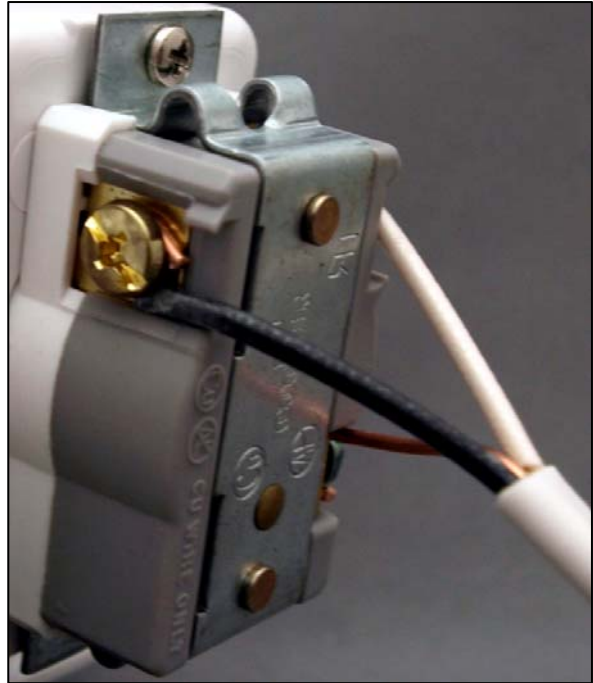


Figure 2

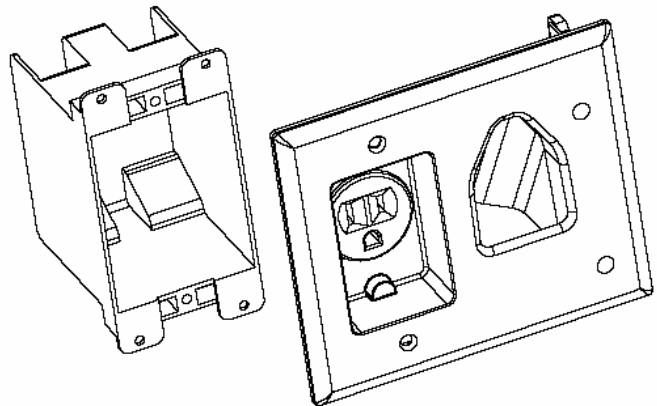
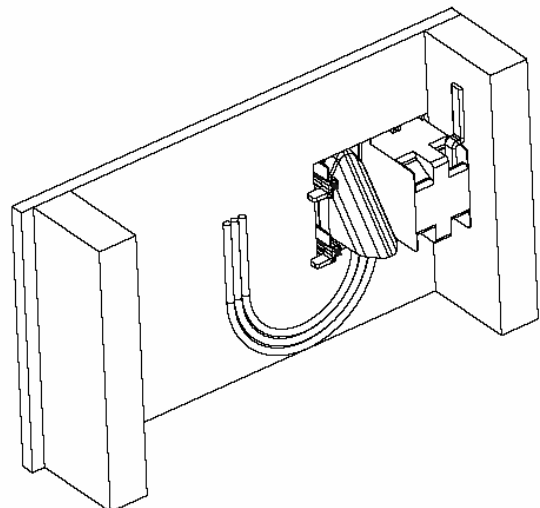


Figure 3



**Instruction / Installation Sheet 45-0021 (Continued)**

**WARNING**

DataComm Electronics products shall be installed and used only as indicated in DataComm Electronics product instruction sheets. Instruction sheets are available at [www.datacommelectronics.com](http://www.datacommelectronics.com).

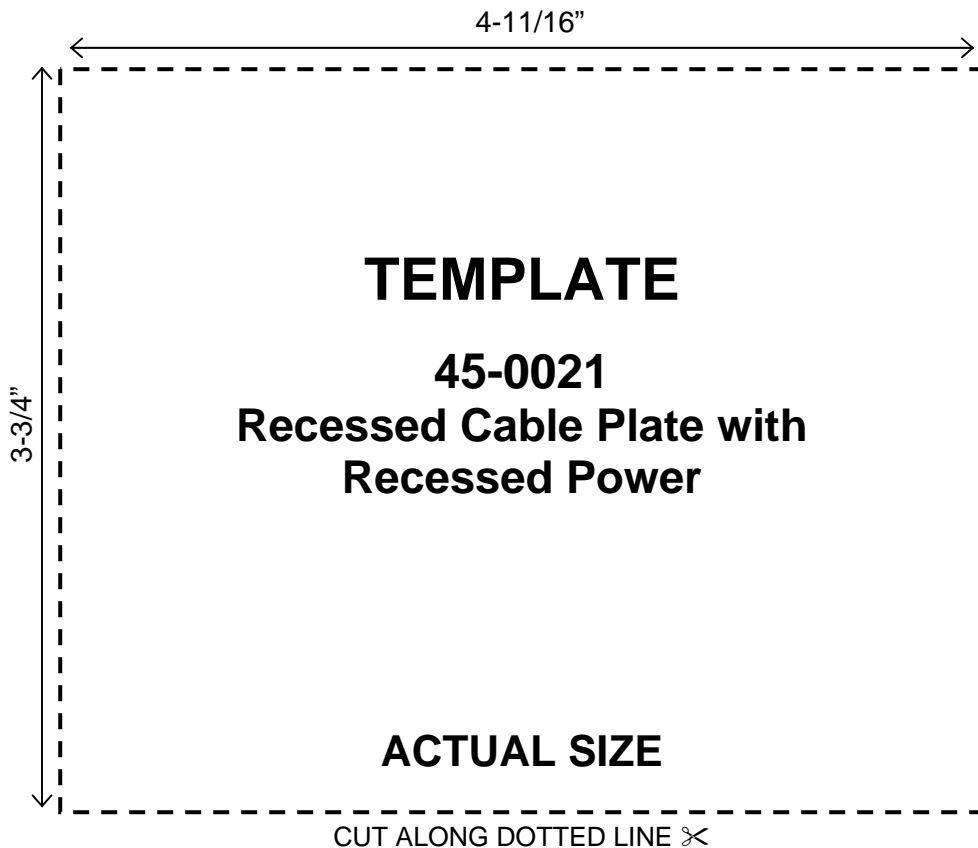
**CAUTION**

- For shock protection, this device must be properly grounded.
- Use copper wire only with this device.

**IMPORTANT INSTRUCTIONS**

- Read and understand all instructions.
- Follow all warnings and instructions marked on the product.
- Do not use this product near water, for example near a bath tub, wash bowl, kitchen sink, or laundry tub, in a wet basement, or near a swimming pool.
- **SAVE THESE INSTRUCTIONS.**

**ONLY LICENSED PROFESSIONALS SHOULD INSTALL THIS PRODUCT**



This Product is Patent Protected by U.S. Patent Numbers D553475, D554475 and 7390964

Multiple Patents Pending

RoHS Compliant



3026001

ETL LISTED  
CONFORMS TO  
UL STD 514C  
CERTIFIED TO  
CAN/CSA STD C22.2 NO. 42.1