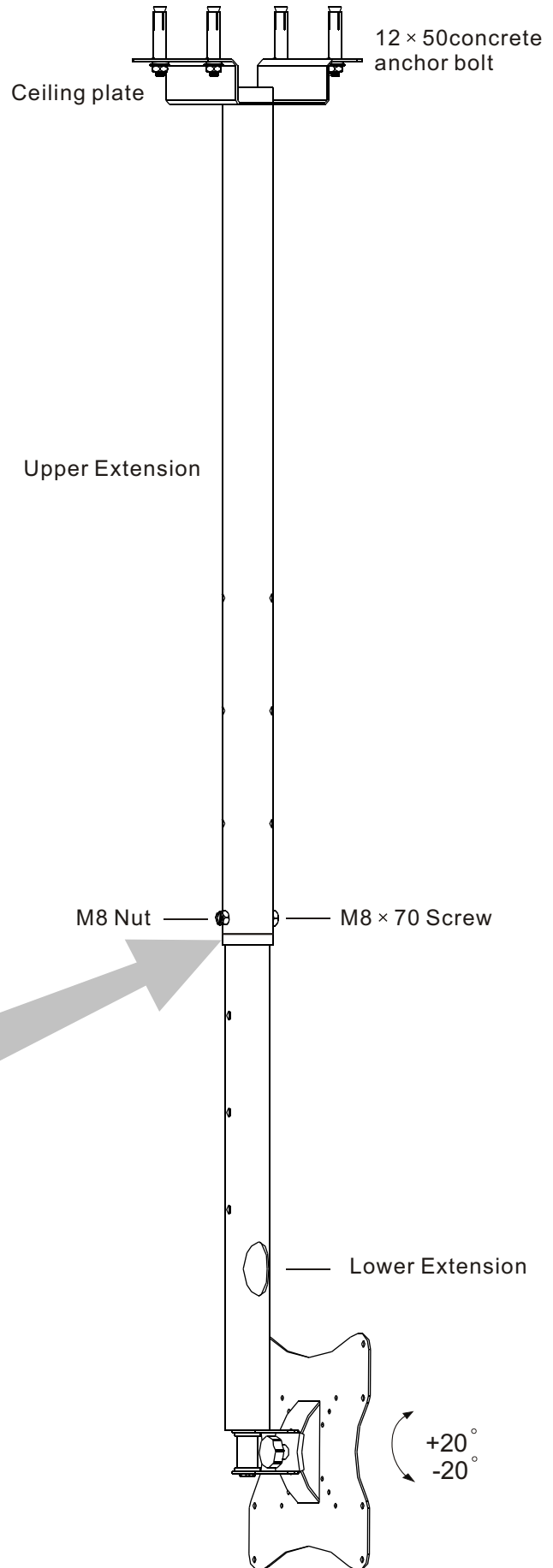


LCD-CE5



- M4 × 10mm screws 4PCS
- M5 × 10mm screws 4PCS
- M8 × 70mm screws 1PC
- M8 nuts 1PCS
- ∅12 × 50mm concrete anchor bolt 4PCS

Only suitable for walls made from: stone, concrete, hollow blocks

