

DARK
MATTER™



27" GAMING MONITOR

P/N 40778

User's Manual

CONTENTS

SAFETY WARNINGS AND GUIDELINES	3
INTRODUCTION	5
FEATURES	5
CUSTOMER SERVICE	6
PACKAGE CONTENTS	6
PRODUCT OVERVIEW	7
Connections.....	7
Controls and Indicators.....	8
INSTALLING THE STAND.....	9
REMOVING THE STAND.....	10
TROUBLESHOOTING.....	11
TECHNICAL SUPPORT.....	12
SPECIFICATIONS.....	13
REGULATORY COMPLIANCE.....	14
Notice for FCC.....	14
Notice for Industry Canada	15

SAFETY WARNINGS AND GUIDELINES

Please read this entire manual before using this device, paying extra attention to these safety warnings and guidelines. Please keep this manual in a safe place for future reference.

- This device is intended for indoor use only.
- Do not expose this device to water or moisture of any kind. Do not place drinks or other containers with moisture on or near the device. If moisture does get in or on the device, immediately remove it from its power source and allow it to fully dry before reapplying power.
- Do not touch the device, the power cord, or any other connected cables with wet hands.
- Do not place the monitor on an unstable surface where it could fall and cause either personal injury or damage to the monitor and/or other equipment.
- Do not subject the product to extreme force, shock, or fluctuations in temperature or humidity.
- Do not expose this device to excessively high temperatures. Do not place it in, on, or near a heat source, such as a fireplace, stove, radiator, etc. Do not leave it in direct sunlight.
- This device ventilates excessive heat through the slots and openings in the case. Do not block or cover these openings. Ensure that the device is in an open area where it can get sufficient airflow to keep from overheating.
- Do not place or install this device in an area where it can be exposed to excessive amounts of dust, humidity, oil, smoke, or combustible vapors.

- Prior to operation, check the unit and power cord for physical damage. Do not use if physical damage has occurred.
- Before plugging the unit into a power outlet, ensure that the outlet provides the same type and level of power required by the device.
- Unplug this device from the power source when not in use.
- Take care to prevent damage to the power cord. Do not allow it to become crimped, pinched, walked on, or become tangled with other cords. Ensure that the power cord does not present a tripping hazard.
- Never unplug the unit by pulling on the power cord. Always grasp the connector head or adapter body.
- Clean using a soft, dry cloth only. Do not use chemical cleaners, solvents, or detergents. For stubborn deposits, moisten the cloth with warm water.
- This monitor has no user serviceable parts. Do not open the case or otherwise attempt to modify this monitor.
- Do not leave a single image on the display for a long period of time. Doing so could cause "burn-in" of the image. It is recommended to use a variable desktop background and to use a screen saver to prevent "burn-in". Alternatively, ensure that the monitor is powered off for at least 2 hours out of every 12.

INTRODUCTION

Proving sheer speed doesn't have to come at the expense of color performance, this Dark Matter™ 27" Gaming Monitor features next-generation "fast" IPS-type Advanced Hyper-Viewing Angle (AHVA) panel technology with a ferociously fast 240Hz refresh rate and 1ms response time. Thanks to AHVA technology, it offers near 100% sRGB color gamut and wide viewing angles, while AMD® FreeSync™ technology ensures a smooth, tear-free experience during intense, fast-action gameplay. VESA® DisplayHDR™ 400 certification satisfies the display industry's standard for true 8-bit image quality, peak luminance of 400 cd/m², higher contrast ratio, and wider color gamut.

FEATURES

- 27" AHVA panel
- 1x DisplayPort® 1.2, 1x HDMI® 2.0, and 1x HDMI 1.4 video inputs
- 1920x1080p maximum resolution
- 240Hz refresh rate
- VESA® DisplayHDR™ 400 certified
- Supports AMD® FreeSync™ 1.0
- 1ms response rate (overdriven)
- 400cd/m² typical brightness
- 178°/178° horizontal and vertical viewing angles

CUSTOMER SERVICE

The Monoprice™ Customer Service department is dedicated to ensuring that your ordering, purchasing, and delivery experience is second to none. If you have any problem with your order, please give us an opportunity to make it right. You can contact a Monoprice Customer Service representative through the Live Chat link on our website www.monoprice.com or via email at support@monoprice.com. Check the website for support times and links.

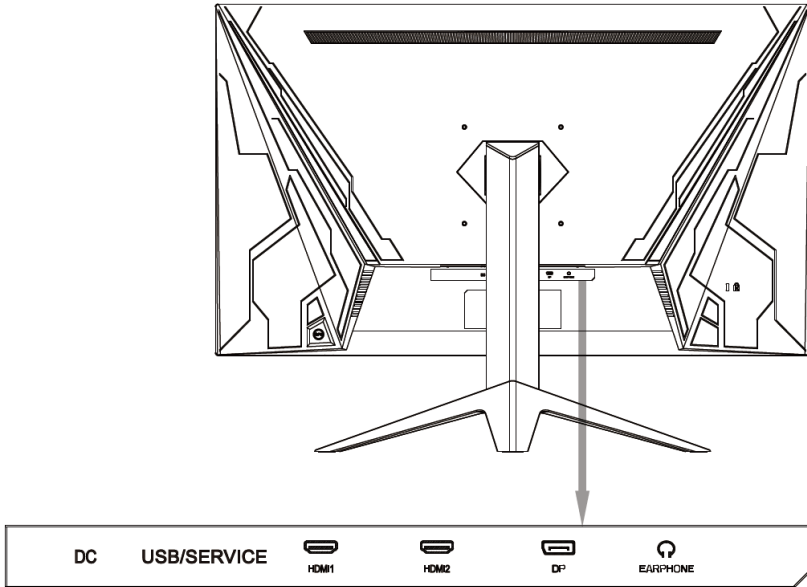
PACKAGE CONTENTS

Please take an inventory of the package contents to ensure you have all the items listed below. If anything is missing or damaged, please contact Monoprice Customer Service for a replacement.

- 1x Dark Matter™ 27" Monitor with Attached Stand Stem
- 1x Stand Base
- 2x M4x16 Stand Screws
- 1x AC Power Adapter
- 1x AC Power Cord
- 1x High Speed HDMI® Cable
- 1x User's Manual

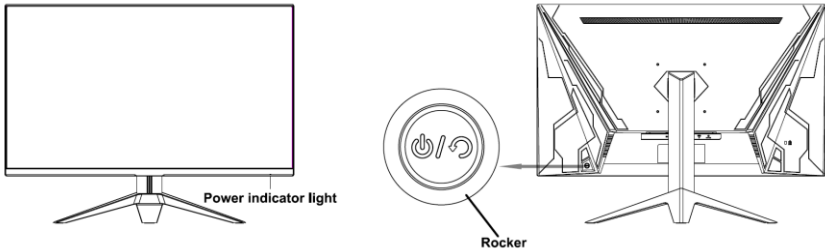
PRODUCT OVERVIEW

Connections



- **DC:** DC barrel connector for connecting the included AC power adapter.
- **USB/SERVICE:** USB port for servicing at the factory.
- **HDMI1:** HDMI® version 2.0 input connector.
- **HDMI2:** HDMI version 1.4 input connector.
- **DP:** DisplayPort® version 1.2 input connector.
- **EARPHONE:** 3.5mm TRS audio jack for connecting headphones, powered speakers, etc.

Controls and Indicators



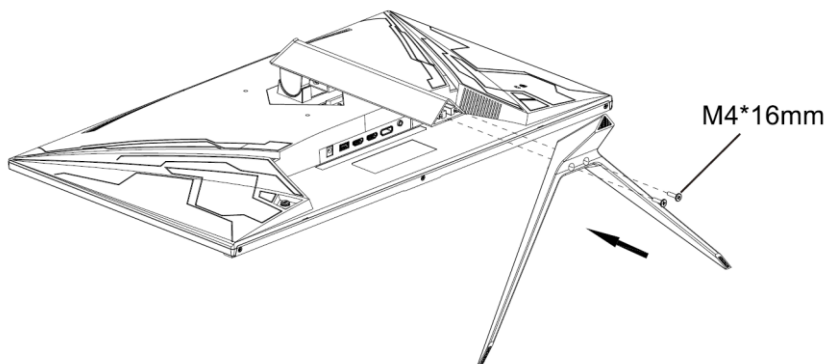
- **Power indicator light:** The LED illuminates blue when the monitor is powered on and operating normally. It flashes red when the monitor is in energy saving standby mode.
- **Rocker:** The **Rocker** is a control stick that performs the following functions, depending on the motion used.
 - **PRESS:** Press and hold the Rocker for about 3 seconds to turn the monitor on or off. If the OSD menu is not displayed, momentarily press the Rocker to access the OSD menu.
 - **UP:** If the OSD menu is not displayed, push the Rocker up to access the input select menu. If the OSD menu is displayed, push the Rocker up to move the highlight up. If editing a value in the OSD menu, push the rocker up to increase the value.
 - **DOWN:** If the OSD menu is not displayed, push the Rocker down to access the volume control menu. If the OSD menu is displayed, push the Rocker down to move the highlight down. If editing a value in the OSD menu, push the rocker down to decrease the value.
 - **RIGHT:** If the OSD menu is not displayed, push the Rocker right (as seen from the front of the monitor) to cycle through the three FPS game crosshairs in the middle of the screen. If the OSD menu is displayed, push the Rocker right to return

to the previous menu level or to exit the OSD menu, if already at the top level. If editing a value in the OSD menu, push the Rocker right to cancel editing and discard any changes made.

- **LEFT:** If the OSD menu is not displayed, push the Rocker left (as seen from the front of the monitor) to cycle through the seven video equalization presets (Standard, User, Movie, Photo, RTS, FPS1, FPS2). If the OSD menu is displayed, push the Rocker left to enter the highlight submenu or edit the highlighted option. If editing a value, push the Rocker left to save any changes made.

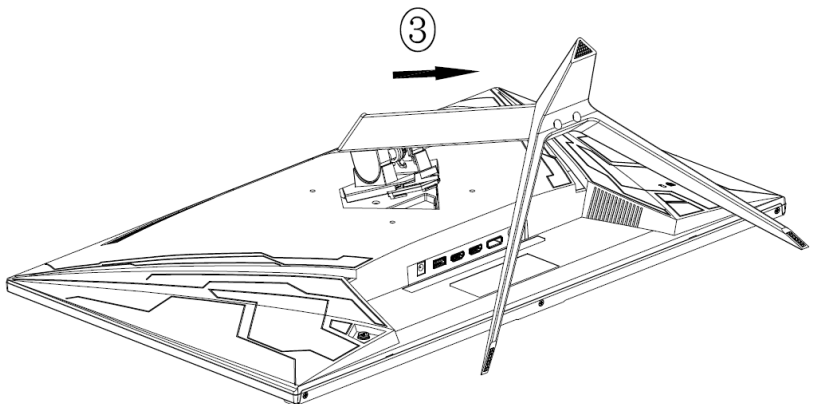
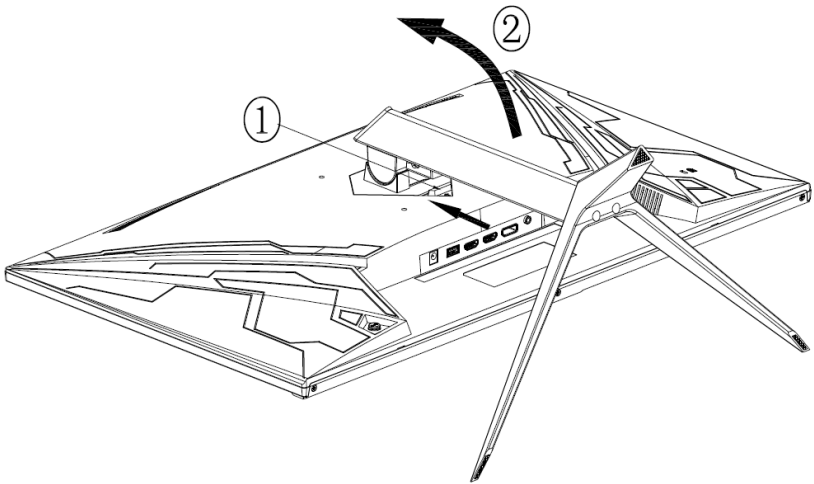
INSTALLING THE STAND

1. Lay a blanket or towel on a table or on the floor, then place the monitor face down on the blanket/towel.
2. Using the two included M4x16 stand screws, attach the stand base to the stand stem, as shown.



REMOVING THE STAND

1. Lay a blanket or towel on a table or on the floor, then place the monitor face down on the blanket/towel.
2. Push the slider (1) situated between the monitor housing and the stand stem.
3. Lift the rear (2) of the stand assembly, then pull back (3) to remove the stand assembly



TROUBLESHOOTING

Q1: The **Power indicator light** is off.

A1: Check that the power cable is fully inserted into the AC power adapter and that the DC barrel connector is fully inserted into the DC jack on the monitor. Verify that the power outlet is live by plugging in a different device, such as a lamp.

Q2: The image is blurry, overly large, overly small, etc.

A2: Enter the OSD menu system and set the **Image Setting** option to **Auto Image Adjust**.

Q3: The image is too dark.

A3: Enter the OSD menu system and adjust the **Brightness** and **Contrast** values.

Q4: The monitor is overheating.

A4: Ensure that there is at least 2" of space around the monitor, that the ventilation slots are not blocked, and that the monitor is not in an enclosed space.

Q5: There are dark and light spots visible on the monitor while it is powering on.

A5: This is a normal condition caused by the LED backlight illuminating unevenly due to temperature variations. The LED backlight illuminates normally after about 20 minutes of operation.

Q6: The image is distorted, blinking, or shaking.

A7: Check the video settings on your computer and select the correct resolution and refresh rates.

Q8: The monitor makes noises after powering off.

A8: This is a normal condition caused by the display discharging after power off.

TECHNICAL SUPPORT

Monoprice is pleased to provide free, live, online technical support to assist you with any questions you may have about installation, setup, troubleshooting, or product recommendations. If you ever need assistance with your new product, please come online to talk to one of our friendly and knowledgeable Tech Support Associates. Technical support is available through the online chat button on our website www.monoprice.com or through email by sending a message to tech@monoprice.com. Check the website for support times and links.

SPECIFICATIONS

Model	40778
Screen Size	27"
Video Inputs	1x DisplayPort® 1.2, 1x HDMI® 2.0, 1x HDMI® 1.4
Panel Technology	AHVA
Curvature	Flat
Aspect Ratio	16:9
Maximum Resolution	1920 x 1080
Color Depth	8-bit
Maximum Colors	More than 16.7 million
High Dynamic Range (HDR) Support	Yes
Blue Light Filtering Support	Yes
Flicker-free Support	Yes
Refresh Rate	240Hz
Response Rate	1ms (overdriven)
Adaptive Sync	AMD® FreeSync™ 1.0
Typical Brightness	400 cd/m ²
Typical Contrast Ratio	1000:1
Viewing Angles (H/V)	178°/178°
Input Power	19 VDC, 3.42A
AC Adapter Input Power	100 ~ 240 VAC, 50/60 Hz

Typical Power Consumption	≅ 65 watts
Standby Power Consumption	≅ 0.5 watts
Operating Temperature	+32 ~ +104°F (0 ~ +40°C)
Operating Humidity	20 ~ 85% RH, noncondensing
Storage Temperature	+14 ~ +140°F (-10 ~ +60°C)
Storage Humidity	10 ~ 90% RH, noncondensing
Dimensions (with base)	24.3" x 18.3" x 9.9" (616 x 465 x 252 mm)
Weight	10.7 lbs. (4.87 kg)

REGULATORY COMPLIANCE

Notice for FCC



This device complies with Part 15 of the FCC rules. Operation is subject to the following two conditions: (1) this device may not cause harmful interference, and (2) this device must accept any interference received, including interference that may cause undesired operation.

Modifying the equipment without Monoprice's authorization may result in the equipment no longer complying with FCC requirements for Class B digital devices. In that event, your right to use the equipment may be limited by FCC regulations, and you may be required to correct any interference to radio or television communications at your own expense.

This equipment has been tested and found to comply with the limits for a Class B digital device, pursuant to Part 15 of the FCC Rules. These limits are designed to provide reasonable protection against harmful interference in a residential installation. This equipment generates, uses and can radiate radio frequency energy and, if not installed and used in accordance with the instructions, may cause harmful interference to radio communications. However, there is no guarantee that interference will not occur in a particular installation. If this equipment does cause harmful interference to radio or television reception, which can be determined by turning the equipment off and on, the user is encouraged to try to correct the interference by one or more of the following measures:

- Reorient or relocate the receiving antenna.
- Increase the separation between the equipment and receiver.
- Connect the equipment into an outlet on a circuit different from that to which the receiver is connected.
- Consult the dealer or an experienced radio/TV technician for help.

Notice for Industry Canada

This Class B digital apparatus complies with Canadian ICES-003.

Cet appareil numérique de la classe B est conforme à la norme NMB-003 du Canada.

Monoprice™, Dark Matter™, the Dark Matter logo, and all Monoprice logos are trademarks of Monoprice Inc.

AMD® is a registered trademark of Advanced Micro Devices, Inc. in the United States and/or other jurisdictions. FreeSync™ is a trademark of Advanced Micro Devices, Inc. in the United States and/or other jurisdictions.

VESA®, DisplayPort®, and the DisplayPort® logo are registered trademarks of the Video Electronics Standards Association. DisplayHDR™ is a trademark of Video Electronics Standards Association.

HDMI®, the HDMI Logo, and High-Definition Multimedia Interface are trademarks or registered trademarks of HDMI Licensing LLC in the United States and other countries.