



**MONOLITH™**

## MTM 3-Way Powered Desktop Speakers



P/N 43241

**User's Manual**

# SAFETY WARNINGS AND GUIDELINES

Please read this entire manual before using this device, paying extra attention to these safety warnings and guidelines. Please keep this manual in a safe place for future reference.

- This device is intended for indoor use only.
- Do not expose this device to water or moisture of any kind. Do not place drinks or other containers with moisture on or near the device. If moisture does get in or on the device, immediately remove it from its power source and allow it to fully dry before reapplying power.
- Do not touch the device, the power cord, or any other connected cables with wet hands.
- If operating this speaker in a humid environment, ensure that no condensation occurs. Condensation could cause damage to the speaker cone and could cause a short in the amplifier, which in turn could cause fire or severe electric shock.
- Do not install this device on an unstable surface where it could fall and cause either personal injury or damage to the device and/or other equipment.
- Do not expose this device to excessive vibration or extreme force, shock, or fluctuations in temperature or humidity.
- Avoid prolonged exposure to excessive volume levels, which could cause hearing damage. Reduce the volume to minimum before using these speakers, then increase the volume to a comfortable listening level.

- Do not expose this device to excessively high temperatures. Do not place it in, on, or near a heat source, such as a fireplace, stove, radiator, etc. Do not leave it in direct sunlight.
- Do not place or install this device in an area where it can be exposed to excessive amounts of dust, humidity, oil, smoke, or combustible vapors.
- Prior to operation, check the unit and power cord for physical damage. Do not use if physical damage has occurred.
- Before plugging the unit into a power outlet, ensure that the outlet provides the same type and level of power required by the device.
- Unplug this device from the power source when not in use.
- Take care to prevent damage to the power cord. Do not allow it to become crimped, pinched, walked on, or become tangled with other cords. Ensure that the power cord does not present a tripping hazard.
- Never unplug the unit by pulling on the power cord. Always grasp the connector head or adapter body.
- Ensure that power is turned off and disconnected before making any electrical connections.
- Clean using a soft, dry cloth only. Do not use chemical cleaners, solvents, or detergents. For stubborn deposits, moisten the cloth with warm water.
- This device has no user serviceable parts. Do not attempt to open, service, or modify this device.

## FEATURES

- One 1.25" silk dome tweeter in each speaker
- Two 4" woofers in each speaker
- Two 5.25" passive radiator drivers in each speaker
- Separate 50-watt Class D amplifiers for each speaker
- 50Hz ~ 20kHz frequency response
- Bluetooth® 5 with Qualcomm® aptX™ HD codec
- Subwoofer output
- 3.5mm headphones output
- Stereo analog RCA, digital optical S/PDIF, USB Type-C®, and Bluetooth inputs

## CUSTOMER SERVICE

The Monoprice Customer Service department is dedicated to ensuring that your ordering, purchasing, and delivery experience is second to none. If you have any problem with your order, please give us an opportunity to make it right. You can contact a Monoprice Customer Service representative through the Live Chat link on our website **[www.monoprice.com](http://www.monoprice.com)** or via email at **[support@monoprice.com](mailto:support@monoprice.com)**. Check the website for support times and links.

## PACKAGE CONTENTS

Please take an inventory of the package contents to ensure you have all the items listed below. If anything is missing or damaged, please contact Monoprice Customer Service for a replacement.

1x Primary Speaker

1x Secondary Speaker

1x Remote Control

2x AAA Batteries

1x Speaker Interconnect Cable

1x Stereo RCA Audio Cable

1x Foot Mat

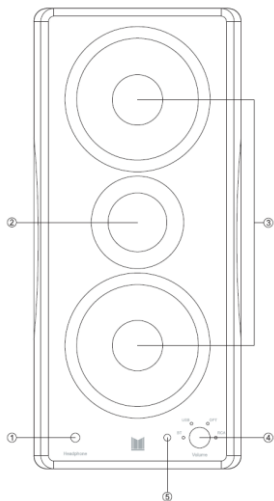
1x AC Power Cable

1x User's Manual

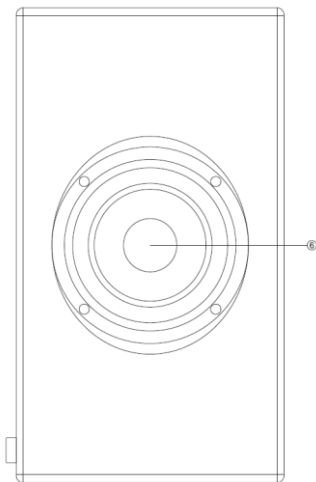
# PRODUCT OVERVIEW

## Primary Speaker Front Panel

1. **Headphone:** 3.5mm stereo headphone jack.
2. **Tweeter:** One 1.25" silk dome tweeter.
3. **Woofers:** Two 4" woofers.
4. **Volume:** Multifunction knob and source LED indicators. With the speakers powered on, rotate the knob to increase or decrease the volume level. With the speakers powered off, momentarily press the knob to turn the speakers on. With the speakers powered on, momentarily press the knob to cycle through the inputs in the order BT (Bluetooth®), USB, OPT (optical), and RCA. With the speakers powered on, press and hold the knob for 2 seconds to put the speakers into standby mode.
5. **IR:** Infrared receiver for receiving IR signals from the included remote control.



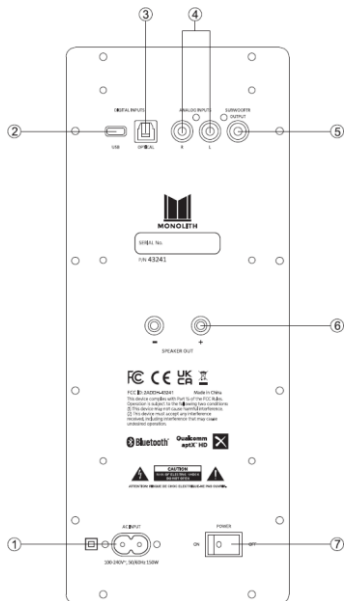
## Primary Speaker Side Panels



- Passive Radiators:** Two 5.25" passive radiators (one on each side).

## Primary Speaker Rear Panel

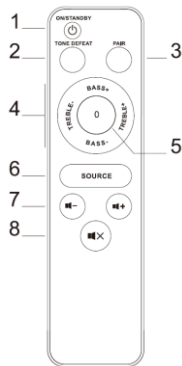
1. **AC INPUT:** IEC 60320 C8 connector for connecting the included **AC Power Cord**.
2. **USB:** USB Type-C® input.
3. **OPTICAL:** Digital optical S/PDIF input.
4. **ANALOG INPUTS:** Stereo RCA inputs.
5. **SUBWOOFER OUTPUT:** Mono RCA output for connecting a subwoofer (available separately).
6. **SPEAKER OUT:** Connectors for connecting the **Secondary Speaker** using the included **Speaker Interconnect Cable**.
7. **POWER:** Switch for turning the speakers on or off. When the switch is in the **ON** position, the auto standby function will put the speakers into standby mode after 30 minutes of no audio input. When in standby mode, the speakers will automatically power on when an audio signal is detected.





## Remote Control

1. **ON/STANDBY:** Press the button to turn the speakers on or to put them into standby mode. Note that the **POWER** switch on the **Primary Speaker Rear Panel** must be in the **ON** position for this button to function.
2. **TONE DEFEAT:** Press the button to bypass the tone controls for an unaltered audio signal, without changing the tone control settings. Press the button again to reinsert the tone controls into the audio signal path.
3. **PAIR:** Press the button to enter Bluetooth® pairing mode.
4. **TONE WHEEL:** The **TONE WHEEL** allows you to boost or cut the low frequency (**BASS+/BASS-**) and high frequency (**TREBLE+/TREBLE-**) portions of the audio signal.
5. **0:** If the **0** button is pressed within 20 seconds of using the **TONE WHEEL**, the last tone control used (**BASS** or **TREBLE**) will be reset to 0. If the button is pushed without having used the **TONE WHEEL** in the last 20 seconds, both the **BASS** and **TREBLE** tone controls will be reset back to 0.
6. **SOURCE:** Press the button to cycle through the inputs in the order BT (Bluetooth®), USB, OPT (optical), and RCA.
7. **VOLUME:** Use the buttons to increase or decrease the volume level.
8. **MUTE:** Press the button to turn audio mute on or off.



# INSTALLATION

Ensure that power is turned off and disconnected on all equipment to be connected before making any electrical connections.

1. Ensure that the **POWER** switch on the **Primary Speaker Rear Panel** is in the **OFF** position.
2. Place the **Primary Speaker** and **Secondary Speaker** in their intended locations.
3. Connect one end of the included **Speaker Interconnect Cable** to the **SPEAKER IN** connectors on the **Secondary Speaker Rear Panel**, then connect the other end to the **SPEAKER OUT** connectors on the **Primary Speaker Rear Panel**.
4. (Optional) Plug one end of the included **Stereo RCA Audio Cable** into the **ANALOG INPUTS** RCA jacks on the **Primary Speaker Rear Panel**, then plug the other end into the RCA line output on your audio source device.
5. (Optional) Plug one end of a digital optical S/PDIF cable (available separately) into the **OPTICAL** port on the **Primary Speaker Rear Panel**, then plug the other end into the digital optical output on your audio source device.
6. (Optional) Plug one end of a USB-C® cable (available separately) into the **USB** port on the **Primary Speaker Rear Panel**, then plug the other end into the USB output on your laptop or computer.
7. (Optional) Plug one end of a mono RCA cable (available separately) into the RCA input on a subwoofer (available separately), then plug the other end into the **SUBWOOFER OUTPUT** jack on the rear panel.

8. Plug one end of the included **AC Power Cord** into the **AC INPUT** on the **Primary Speaker Rear Panel**, then plug the other end into a nearby AC power outlet.
9. Open the battery compartment cover on the included **Remote Control** and insert the included **AAA Batteries**, taking care to match the polarities on the batteries with the polarity markings inside the battery compartment.

## OPERATION

- With the speakers powered off and the **POWER** switch on the rear panel in the **ON** position, momentarily press the **Volume** knob on the **Primary Speaker Front Panel** to turn the speakers on. The LED corresponding to the last used input will illuminate.
- With the speakers powered on, press and hold the **Volume** knob on the **Primary Speaker Front Panel** for 2 seconds to put the speakers into standby mode. The source LED will turn off.
- With the speakers powered on, momentarily press the **Volume** knob on the **Primary Speaker Front Panel** to cycle through the inputs. The cycle order is BT (Bluetooth®), USB, OPT (optical), and RCA.
- With the speakers powered on, rotate the **Volume** knob on the **Primary Speaker Front Panel** clockwise to increase the volume level.
- With the speakers powered on, rotate the **Volume** knob on the **Primary Speaker Front Panel** counterclockwise to decrease the volume level.

- After 30 minutes of no audio signal input, the speakers will automatically enter standby mode. The LED on the **Primary Speaker Front Panel** corresponding to the last used input will blink slowly. The last set volume level and input will be restored when the speakers are powered back on.
- Place the **POWER** switch on the **Primary Speaker Rear Panel** in the **OFF** position to turn the speakers fully off, without going into standby mode.

## BLUETOOTH PAIRING

Perform the following steps to pair your mobile device with the speakers.

1. Flip the **POWER** switch on the **Primary Speaker Rear Panel** to the **ON** position.
2. Momentarily press the **Volume** knob on the **Primary Speaker Front Panel** to turn the speakers on. Alternatively, press the **ON/STANDBY** button on the included **Remote Control**. One of the source LEDs will illuminate to indicate the last input used.
3. Repeatedly press the **Volume** knob on the **Primary Speaker Front Panel** to cycle through the inputs until the **BT** LED starts blinking slowly, indicating that the speakers are in Bluetooth® pairing mode. Alternatively, repeatedly press the **PAIR** button on the included **Remote Control** to put the speakers in Bluetooth® pairing mode.
4. Open the Bluetooth settings on your mobile device and scan for nearby Bluetooth devices.

5. Locate and select the **MP43241** entry. If prompted for a passcode, input **0000** (four zeros). Once the connection is established, the **BT** LED on the **Primary Speaker Front Panel** will cease flashing and will illuminate steadily, indicating that the Bluetooth connection has been successfully made.

*Note that the speaker will remember the device it was last paired to. To reconnect after the connection has been broken, open the Bluetooth settings on your device and select Connect to reestablish the connection.*

## SPECIFICATIONS

P/N	43241
Frequency Response	50Hz ~ 20kHz
Woofer Drivers (each)	2x 4" cone
Tweeter Driver (each)	1x 1.25" silk dome
Passive Drivers (each)	2x 5.25" passive radiators
Amplifier Type	Class D
Amplifier Output Power	2x 50 watts
Inputs	Stereo analog RCA, digital optical S/PDIF, USB, Bluetooth®
Outputs	Mono analog subwoofer, stereo 3.5mm headphones
Bluetooth® Version	5
Bluetooth Pairing Name	MP43241
Bluetooth Range	Up to 32 feet (10 meters)
Bluetooth Frequency Range	2402 ~ 2480 MHz
Bluetooth Transmitter Power	8dBm
Audio Codecs	SBC, Qualcomm® aptX™ HD
Input Power	100 ~ 240 VAC, 50/60 Hz, 150 watts
Dimensions (each)	6.3" x 14.0" x 7.9" (160 x 355 x 200 mm)

## TECHNICAL SUPPORT

Monoprice is pleased to provide free, live, online technical support to assist you with any questions you may have about installation, setup, troubleshooting, or product recommendations. If you ever need assistance with your new product, please come online to talk to one of our friendly and knowledgeable Tech Support Associates. Technical support is available through the online chat button on our website **www.monoprice.com** or through email by sending a message to **tech@monoprice.com**. Check the website for support times and links.

To download the latest drivers, firmware, manuals, etc., go to **www.monoprice.com** and type the **P/N** into the search bar. If available, support files are linked at the bottom of the product page.

## REGULATORY COMPLIANCE

### Notice for FCC



**FCC ID: 2ADDH-43241**

This device complies with Part 15 of the FCC rules. Operation is subject to the following two conditions: (1) this device may not cause harmful interference, and (2) this device must accept any interference received, including interference that may cause undesired operation.

Modifying the equipment without Monoprice's authorization may result in the equipment no longer complying with FCC requirements for Class B

digital devices. In that event, your right to use the equipment may be limited by FCC regulations, and you may be required to correct any interference to radio or television communications at your own expense.

This equipment has been tested and found to comply with the limits for a Class B digital device, pursuant to Part 15 of the FCC Rules. These limits are designed to provide reasonable protection against harmful interference in a residential installation. This equipment generates, uses and can radiate radio frequency energy and, if not installed and used in accordance with the instructions, may cause harmful interference to radio communications. However, there is no guarantee that interference will not occur in a particular installation. If this equipment does cause harmful interference to radio or television reception, which can be determined by turning the equipment off and on, the user is encouraged to try to correct the interference by one or more of the following measures:

- Reorient or relocate the receiving antenna.
- Increase the separation between the equipment and receiver.
- Connect the equipment into an outlet on a circuit different from that to which the receiver is connected.
- Consult the dealer or an experienced radio/TV technician for help.

## **Radio Notice for FCC**

### **Caution**

This FCC Part 15 radio device operates on a non-interference basis with other devices operating at this frequency. Any changes or modification to said product not expressly approved by Monoprice, including the use of



non-approved antennas, could void the user's authority to operate this device.

This device complies with Part 15 of the FCC Rules. Operation is subject to the following two conditions: (1) this device may not cause harmful interference, and (2) this device must accept any interference received, including interference that may cause undesired operation.

## **EU Conformity with applicable directives**



This equipment complies with the essential requirements listed below:

- Radio Equipment Directive (RED) 2014/53/EU
- RoHS 2 Directive 2011/65/EU with Directive (EU) 2015/863

## **UK Conformity with the relevant Union harmonization legislation**



This equipment complies with the essential requirements listed below:

- Radio Equipment Regulations 2017
- Restriction of the Use of Certain Hazardous Substances in Electrical and Electronic Equipment Regulations 2012

*Monoprice™, Monolith™, the Monolith logo, and all Monoprice logos are trademarks of Monoprice Inc.*

*The Bluetooth® word mark and logos are registered trademarks of Bluetooth SIG, Inc.*

*Qualcomm® is a trademark of Qualcomm Incorporated, registered in the United States and other countries. aptX™, aptX™ HD, and the aptX™ logos are trademarks of Qualcomm Technologies International, Ltd. Qualcomm® aptX™ and Qualcomm® aptX™ HD are products of Qualcomm Technologies International, Ltd.*

*USB Type-C® and USB-C® are registered trademarks of USB Implementers Forum.*