



**Bluetooth® Transmitter and Receiver**

P/N 43244

**User's Manual**

## SAFETY WARNINGS AND GUIDELINES

Please read this entire manual before using this device, paying extra attention to these safety warnings and guidelines. Please keep this manual in a safe place for future reference.

- This device is intended for indoor use only.
- Do not expose this device to water or moisture of any kind. Do not place drinks or other containers with moisture on or near the device. If moisture does get in or on the device, immediately remove it from its power source and allow it to fully dry before reapplying power.
- Do not touch the device, the power cord, or any other connected cables with wet hands.
- Do not expose this device to excessive vibration, extreme force, shock, or fluctuations in temperature or humidity.
- Do not expose this device to excessively high temperatures. Do not place it in, on, or near a heat source, such as a fireplace, stove, radiator, etc. Do not leave it in direct sunlight.
- Do not place or install this device in an area where it can be exposed to excessive amounts of dust, humidity, oil, smoke, or combustible vapors.
- This device contains a Lithium-polymer battery. Dispose of this device only in accordance with local, state, or federal regulations for electronic waste.
- Charge the battery before first use and at least once every two months to keep it fresh and capable of holding the full charge.
- Clean using a soft, dry cloth only. Do not use chemical cleaners, solvents, or detergents. For stubborn deposits, moisten the cloth with warm water.
- This device has no user serviceable parts. Do not attempt to open, service, or modify this device.

## CUSTOMER SERVICE

The Monoprice Customer Service department is dedicated to ensuring that your ordering, purchasing, and delivery experience is second to none. If you have any problem with your order, please give us an opportunity to make it right. You can contact a Monoprice Customer Service representative through the Live Chat link on our website [www.monoprice.com](http://www.monoprice.com) or via email at [support@monoprice.com](mailto:support@monoprice.com). Check the website for support times and links.

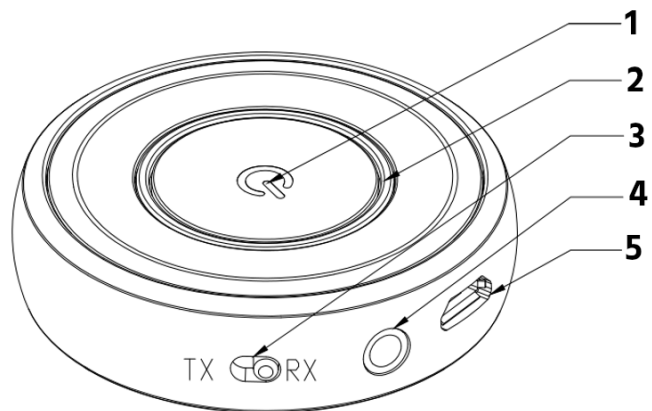
## PACKAGE CONTENTS

Please take an inventory of the package contents to ensure you have all the items listed below. If anything is missing or damaged, please contact Monoprice Customer Service for a replacement.

- 1x Bluetooth® Transmitter and Receiver
- 1x 3.5mm Audio Cable
- 1x Micro USB Charging Cable
- 1x User's Manual

## PRODUCT OVERVIEW

1. Multifunction Button (MFB)
2. LED Indicator
3. Operating Mode Switch
4. 3.5mm Audio Jack
5. Micro USB Charging Port



## BASIC OPERATION

Button	Function	Operation
Multifunction Button (MFB)	Power On	With the unit powered off, press and hold for 3 seconds. The unit will enter Bluetooth pairing mode if no pairing record exists or if a paired device cannot be reconnected.
	Power Off	With the unit powered on, press and hold for 3 seconds.
	Enter Pairing Mode	With the unit powered on, double press.
	Play/Pause	With the unit powered on and in RX mode, momentarily press.
Operating Mode Switch	With the unit powered off, switches between TX and RX Modes. Each time the Operating Mode is switched, the existing pairing record is cleared.	

## LED INDICATORS

Function	LED Indicator Status
Power On	The LED Indicator flashes blue twice.
Power Off	The LED Indicator flashes red twice.
Pairing Mode	RX Mode: The LED Indicator flashes red and blue alternately.
	TX Mode: The LED Indicator flashes blue rapidly.
Unconnected Standby Mode	RX Mode: The LED Indicator flashes blue twice every 3 seconds.
	TX Mode: The LED Indicator flashes blue once per second.

Connected Mode	The LED Indicator illuminates solid blue.
Multipoint Connections	The LED Indicator illuminates solid blue.
Low Battery	The LED Indicator flashes red.
Charging	The LED Indicator illuminates solid red.
Fully Charged	The LED Indicator is off.

## CHARGING

The internal battery should be charged before first use and at least once every two months to keep the battery fresh and capable of holding a full charge.

1. When the **LED Indicator** begins to flash red, the battery is low and needs to be recharged.
2. If power is on, press and hold the **Multifunction Button (MFB)** for 3 seconds to turn the unit off.
3. Plug one end of the included **Micro USB Charging Cable** into the **Micro USB Charging Port**, then plug the other end into a wall charger, computer, or other USB power source (available separately). The **LED Indicator** will illuminate solid red.
4. When charging is complete, the **LED Indicator** will turn off.

## TRANSMITTER (TX) MODE

### Bluetooth® Pairing and Connection

1. With power off, slide the **Operating Mode Switch** to the **TX** position.
2. Press and hold the **Multifunction Button (MFB)** for 3 seconds to power the unit on.
3. Double press the **Multifunction Button (MFB)** to enter Bluetooth® pairing mode. The **LED Indicator** flashes blue rapidly to indicate it is in Bluetooth pairing mode.

4. Power on your receiving device (headphones, speakers, etc.) and put it into Bluetooth® pairing mode.
5. Place your receiving device next to the transmitter. They should pair within 5-30 seconds. Once paired, the **LED Indicator** will illuminate solid blue.
6. Plug one end of the included **3.5mm Audio Cable** into the **3.5mm Audio Jack** on the transmitter, then plug the other end into the headphones jack on your phone, mp3 player, television, etc.
7. You are now ready to play audio and hear it on your receiving device.

## Multipoint Connection

1. Perform the steps in the *Bluetooth® Pairing and Connection* section above.
2. Double press the **Multifunction Button** to put the transmitter into Bluetooth pairing mode. The **LED Indicator** flashes blue rapidly, indicating that it is in Bluetooth pairing mode.
3. Power on your second receiving device (headphones, speakers, etc.) and put it into Bluetooth pairing mode.
4. Place the second receiving device next to the transmitter. They should pair within 5-30 seconds. Once paired, the **LED Indicator** will illuminate solid blue.
5. If pairing is unsuccessful, turn off the transmitter, wait about 30 seconds, then turn it back on and retry the pairing process for each device.

Note: The selected audio codec depends on which codecs are supported by each receiving device. The codec priority is aptX™ Low Latency, aptX, and SBC. The best quality codec that is common to both devices will be selected.

# RECEIVER (RX) MODE

## Bluetooth® Pairing and Connection

1. With power off, slide the **Operating Mode Switch** to the **RX** position.
2. Press and hold the **Multifunction Button (MFB)** for 3 seconds to power the unit on.
3. Double press the **Multifunction Button** to enter Bluetooth® pairing mode. The **LED Indicator** flashes red and blue alternately, indicating that it is Bluetooth pairing mode.
4. With your phone in close proximity to the receiver, open the Bluetooth settings and scan for nearby Bluetooth devices.
5. Locate and select the **MP43244** entry. If prompted for a passcode, enter **0000** (four zeros). The devices should connect within 5-30 seconds. Once connected, the **LED Indicator** will illuminate solid blue.
6. Using the included **3.5mm Audio Cable**, plug one end into the audio input on your speakers, amplifier, headphones, etc., then plug the other end into the **3.5mm Audio Jack** on the receiver.
7. You are now ready to play music on your phone and hear it on your connected device (speakers, amplifier, headphones, etc.).

## Multipoint Connection

1. Perform the steps in the *Bluetooth® Pairing and Connection* section above.
2. Double press the **Multifunction Button** to put the receiver into Bluetooth pairing mode. The **LED Indicator** flashes red and blue alternately, indicating that it is in Bluetooth pairing mode.
3. With your second phone in close proximity to the receiver, open the Bluetooth settings and scan for nearby Bluetooth devices.
4. Locate and select the **MP43244** entry. If prompted for a passcode, enter **0000** (four zeros). The devices should connect within 5-30 seconds. Once connected, the **LED Indicator** will illuminate solid blue.

- You are now ready to play music from either connected phone and hear it on your connected device (speakers, amplifier, headphones, etc.). Note that you can only play audio from one phone at a time. If you want to play audio from the second phone, stop playback on the first phone, then start playback on the second phone.

## SPECIFICATIONS

P/N	43244
Bluetooth® Version	5
Bluetooth Frequency Range	2.402 ~ 2.480 MHz
Bluetooth Chipset	Qualcomm® CSR8670
Bluetooth Range	Class II, up to 32 feet (10 meters)
Supported Bluetooth Profiles	A2DP, AVRCP
Bluetooth Pairing Name	MP43244
Bluetooth Passcode	0000
Supported Codecs	aptX™ Low Latency, aptX, SBC, AAC (RX only)
Battery Type	3.7V Lithium-polymer
Battery Capacity	280mAh
Charging Time	About 2 hours
RX Operating Time	About 14 hours
TX Operating Time	About 14 hours
Operating Temperature	+14 ~ +131°F (-10 ~ +55°C)
Dimensions	ø1.9" x 0.5" (ø49 x 13 mm)
Weight	0.7 oz. (21g)



## TECHNICAL SUPPORT

Monoprice is pleased to provide free, live, online technical support to assist you with any questions you may have about installation, setup, troubleshooting, or product recommendations. If you ever need assistance with your new product, please come online to talk to one of our friendly and knowledgeable Tech Support Associates. Technical support is available through the online chat button on our website [www.monoprice.com](http://www.monoprice.com) or through email by sending a message to [tech@monoprice.com](mailto:tech@monoprice.com). Check the website for support times and links.

To download the latest drivers, firmware, manuals, etc., go to [www.monoprice.com](http://www.monoprice.com) and type the **P/N** into the search bar. If available, support files are linked at the bottom of the product page.

## REGULATORY COMPLIANCE

### Notice for FCC



This device complies with Part 15 of the FCC rules. Operation is subject to the following two conditions: (1) this device may not cause harmful interference, and (2) this device must accept any interference received, including interference that may cause undesired operation.

Modifying the equipment without Monoprice's authorization may result in the equipment no longer complying with FCC requirements for Class B digital devices. In that event, your right to use the equipment may be limited by FCC regulations, and you may be required to correct any interference to radio or television communications at your own expense.

This equipment has been tested and found to comply with the limits for a Class B digital device, pursuant to Part 15 of the FCC Rules. These limits are designed to provide reasonable protection against harmful interference in a residential installation. This equipment generates, uses and can radiate radio frequency energy and, if not installed and used in accordance with the instructions, may cause harmful interference to radio

communications. However, there is no guarantee that interference will not occur in a particular installation. If this equipment does cause harmful interference to radio or television reception, which can be determined by turning the equipment off and on, the user is encouraged to try to correct the interference by one or more of the following measures:

- Reorient or relocate the receiving antenna.
- Increase the separation between the equipment and receiver.
- Connect the equipment into an outlet on a circuit different from that to which the receiver is connected.
- Consult the dealer or an experienced radio/TV technician for help.

## **Radio Notice for FCC**

### **Caution**

This FCC Part 15 radio device operates on a non-interference basis with other devices operating at this frequency. Any changes or modification to said product not expressly approved by Monoprice, including the use of non-approved antennas, could void the user's authority to operate this device.

This device complies with Part 15 of the FCC Rules. Operation is subject to the following two conditions: (1) this device may not cause harmful interference, and (2) this device must accept any interference received, including interference that may cause undesired operation.

## **Notice for Industry Canada**

This Class B digital apparatus complies with Canadian ICES-003.

Cet appareil numérique de la classe B est conforme à la norme NMB-003 du Canada.

## Radio Notice for Industry Canada

### Caution

This IC RSS-210 radio device operates on a non-interference basis with other devices operating at this frequency. Any changes or modification to said product not expressly approved by Monoprice, including the use of non-approved antennas, could void the user's authority to operate this device.

This device complies with IC RSS-210. Operation is subject to the following two conditions: (1) this device may not cause harmful interference, and (2) this device must accept any interference received, including interference that may cause undesired operation.

*Monoprice™ and all Monoprice logos are trademarks of Monoprice Inc.*

*The Bluetooth® word mark and logos are registered trademarks of Bluetooth SIG, Inc.*

*Qualcomm® is a trademark of Qualcomm Incorporated, registered in the United States and other countries. aptX™, aptX™ Low Latency, and the aptX™ logos are trademarks of Qualcomm Technologies International, Ltd. Qualcomm® aptX™ and Qualcomm® aptX™ Low Latency are products of Qualcomm Technologies International, Ltd.*