

**DARK
MATTER™**

49" Curved Gaming Monitor



P/N 43305

User's Manual

SAFETY WARNINGS AND GUIDELINES

Please read this entire manual before using this device, paying extra attention to these safety warnings and guidelines. Please keep this manual in a safe place for future reference.

- This device is intended for indoor use only.
- Do not expose this device to water or moisture of any kind. Do not place drinks or other containers with moisture on or near the device. If moisture does get in or on the device, immediately remove it from its power source and allow it to fully dry before reapplying power.
- Do not place the monitor on an unstable surface where it could fall and cause either personal injury or damage to the monitor and/or other equipment.
- Do not expose this device to excessive vibration or extreme force, shock, or fluctuations in temperature or humidity.
- Do not expose this device to excessively high temperatures. Do not place it in, on, or near a heat source, such as a fireplace, stove, radiator, etc. Do not leave it in direct sunlight.
- This device ventilates excessive heat through the slots and openings in the case. Do not block or cover these openings. Ensure that the device is in an open area where it can get sufficient airflow to keep from overheating.
- Do not place or install this device in an area where it can be exposed to excessive amounts of dust, humidity, oil, smoke, or combustible vapors.
- Prior to operation, check the unit and power cord for physical damage. Do not use if physical damage has occurred.

- Before plugging the unit into a power outlet, ensure that the outlet provides the same type and level of power required by the device.
- This device uses a grounded power cord and requires a ground connection for safe operation. Ensure that the power source has a proper ground connection. Do not modify the plug or use a "cheater" plug to bypass the ground connection.
- Unplug this device from the power source when not in use.
- Take care to prevent damage to the power cord. Do not allow it to become crimped, pinched, walked on, or become tangled with other cords. Ensure that the power cord does not present a tripping hazard.
- Never unplug the unit by pulling on the power cord. Always grasp the connector head or adapter body.
- Ensure that power is turned off and disconnected before making any electrical connections.
- Clean using a soft, dry cloth only. Do not use chemical cleaners, solvents, or detergents. For stubborn deposits, moisten the cloth with warm water.
- This device has no user serviceable parts. Do not attempt to open, service, or modify this device.
- Do not leave a single image on the display for a long period of time. Doing so could cause "burn-in" of the image. It is recommended to use a variable desktop background and to use a screen saver to prevent "burn-in". Alternatively, ensure that the monitor is powered off for at least 2 hours out of every 12.
- Keep the original foam packaging material for use when installing or removing the included stand.

FEATURES

- 49" display with 1800R curvature
- 2x HDMI® 2.0, and 2x DisplayPort® 1.4 video inputs
- 5120x1440p @120Hz maximum video resolution
- Quantum Dot Display
- 32:9 aspect ratio
- 4ms response time
- 3000:1 contrast ratio
- 400 cd/m² brightness
- Supports Adaptive-Sync technology
- Supports Picture-by-Picture (PbP) display mode
- 75 x 75 VESA® mounting pattern

CUSTOMER SERVICE

The Monoprice™ Customer Service department is dedicated to ensuring that your ordering, purchasing, and delivery experience is second to none. If you have any problem with your order, please give us an opportunity to make it right. You can contact a Monoprice Customer Service representative through the Live Chat link on our website www.monoprice.com or via email at support@monoprice.com. Check the website for support times and links.

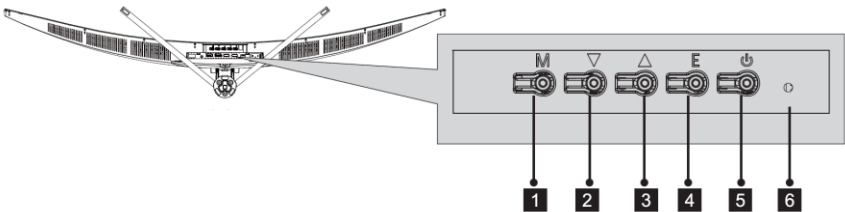
PACKAGE CONTENTS

Please take an inventory of the package contents to ensure you have all the items listed below. If anything is missing or damaged, please contact Monoprice™ Customer Service for a replacement.

- 1x 49" Curved Gaming Monitor
- 1x DisplayPort® Cable
- 1x Stand Stem
- 1x Stand Base
- 4x M5x12 Stand Screws
- 4x Wall Mount Screws (2x 2"x1/4", 2x 1"x1/4")
- 4x Wall Mount Spacers
- 1x AC Power Cable
- 1x User's Manual

PRODUCT OVERVIEW

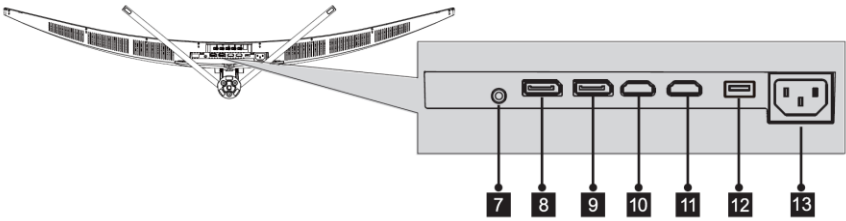
Controls



1. **MENU:** If the OSD menu is not displayed, press the **MENU** button to display the OSD menu. If the OSD menu is displayed, press the **MENU** button enter a highlighted submenu or to edit a highlighted value. If editing a value, press the **MENU** button to save the edited value and exit editing.

2. **DOWN:** If the OSD menu is displayed, press the **DOWN** button to move the highlight down. If editing a value, press the **DOWN** button to decrease the value.
3. **UP:** If the OSD menu is not displayed, press the **UP** button to turn the FPS crosshairs in the center of the screen on or off and to cycle through the four different crosshair values. If the OSD menu is displayed press the **UP** button to move the highlight up. If editing a value, press the **UP** button to increase the value.
4. **EXIT:** If the OSD menu is displayed, press the **EXIT** button to go back to the previous menu level. If already at the top level of the OSD menu, press the **EXIT** button to close the OSD menu. If editing a value, press the **EXIT** button to cancel any changes made and exit editing.
5. **POWER:** Press the **POWER** button to turn the monitor on or off.
6. **LED INDICATOR:** If the monitor is powered on and operating normally, the **LED INDICATOR** will illuminate solid blue. If there is no video source, no horizontal or vertical signal detected, or the voltage is too low, the **LED INDICATOR** will flash blue. If the monitor is in standby mode, the **LED INDICATOR** will illuminate solid red. If the monitor is powered off, the **LED INDICATOR** will be off.

Connections

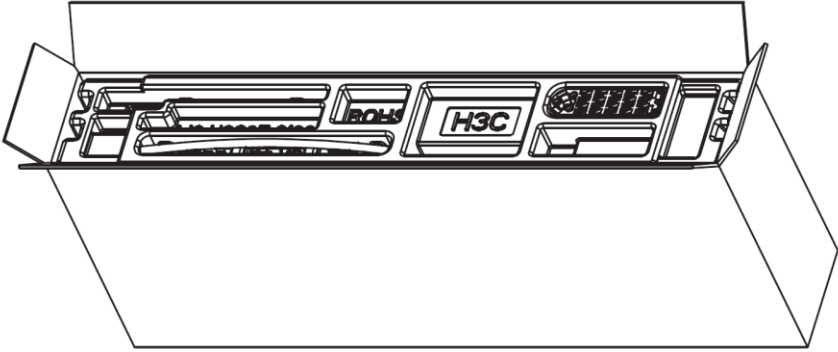


7. **AUDIO:** 3.5mm stereo audio jack for connecting headphones or a pair of powered speakers.
8. **DisplayPort 1:** DisplayPort® 1.4 video input.
9. **DisplayPort 2:** DisplayPort 1.4 video input.
10. **HDMI 1:** HDMI® 2.0 video input.
11. **HDMI 2:** HDMI 2.0 video input.
12. **USB:** USB Type-A port for charging mobile devices and for performing firmware updates, in the event that an update is available.
13. **AC INPUT:** AC power socket for connecting the included AC power cord.

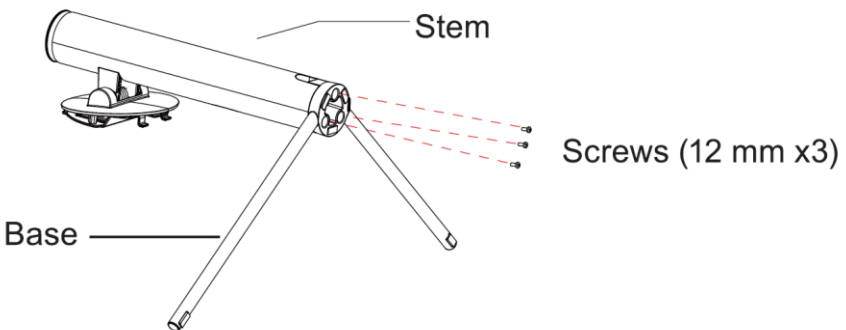
INSTALLING THE STAND

Perform the following steps to assemble the stand and attach it to the monitor.

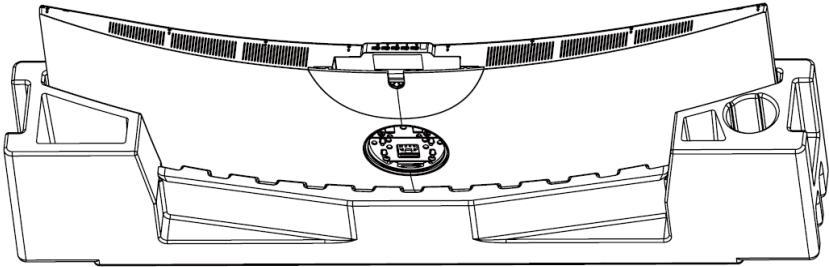
1. Open the box and remove the monitor in its foam packaging, then place it on a flat surface.



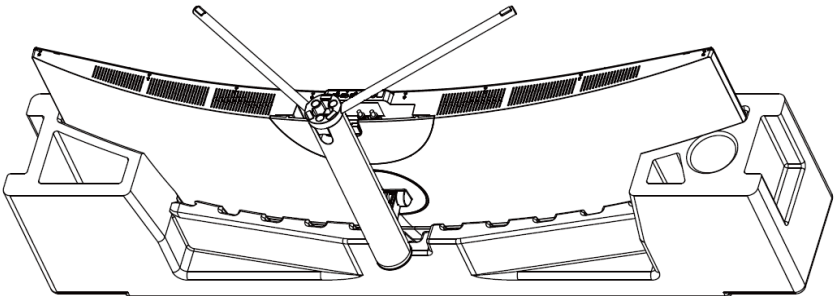
2. Remove the **Stand Base**, **Stand Stem**, and the **M5x12 Stand Screws** from the packaging.
3. Attach the **Stand Base** to the **Stand Stem** using three of the four **M5x12 Stand Screws**.



4. Place the monitor in its foam packaging on the top end, then remove the bottom section of the foam packaging.



5. Align the bracket on the stand assembly with the opening on the back of the monitor, then carefully insert the bracket into the opening until it clicks into place.



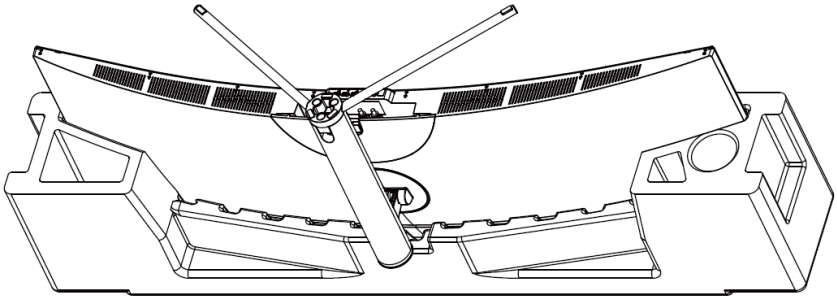
6. Place the foam packaging back in the box, then store it in a safe place for future use.

REMOVING THE STAND

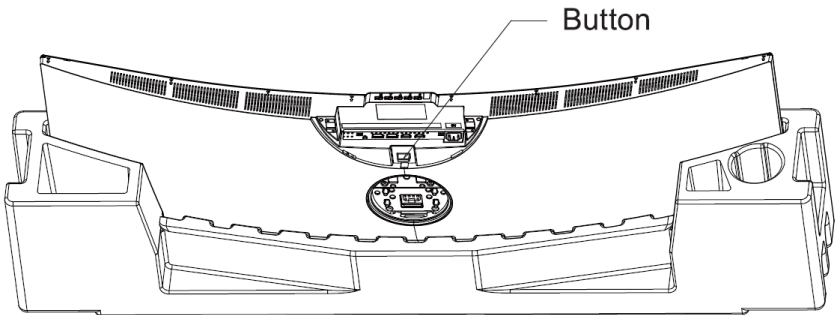
Perform the following steps to remove the stand from the monitor.

1. Retrieve the shipping box with the foam packaging, then remove the foam packaging.

2. Place the top piece of foam packaging on the top of the monitor, then invert the monitor so that it is standing upside down in the foam packaging, as shown in the image below.



3. Locate the button shown in the image below, then press it to release the stand assembly. Remove the stand assembly from the opening in the back of the monitor.



USING A WALL OR DESK MOUNT

Note that this monitor only includes screws for mounting it to a wall or desk mount. No mount or other mounting accessories are included. If you installed the stand, first perform the steps in the *REMOVING THE STAND* section above.

1. Install the wall or desk mount (available separately) using the instructions that came with the mount.
2. Use the included **Wall Mount Screws** to attach the monitor to the mount.

OSD MENU MAP

Main Menu	Submenu	Options	Description
Input Source	HDMI 1 (2.0)	None	Selects the primary input
	HDMI 2 (2.0)		
	DP 1 (1.4)		
	DP 2 (1.4)		
Brightness/ Contrast	Brightness	0~100	Adjusts the brightness level
	Blacklevel	0~100	Adjusts the black level
	Contrast	0~100	Adjusts the contrast
	DCR	On, Off	Turns DCR on or off

Color Setting	Gamma	Gamma 1.8	Sets the level of gamma correction
		Gamma 2.0	
		Gamma 2.2	
		Gamma 2.4	
		Gamma 2.6	
	Picture Setting	Standard, Photo, Movie, Game, FPS, RTS	Selects one of the preset picture modes
	Color Temperature	Warm, Cool, User	Sets the color temperature
Low Blue Light	0~100	Sets the level of blue light filtering	
Hue	0~100	Adjust the hue level	
Saturation	0~100	Adjusts the level of saturation	
Picture Quality	Sharpness	0~100	Adjusts the image sharpness
	Response Time	Off, High, Middle, Low	Adjusts the response time
	Noise Reduction	Off, High, Middle, Low	Adjusts the level of reduction of image noise caused by signal source interference

Picture Quality	Dynamic Luminous Control	On, Off	Automatically adjusts the brightness level based on what is being displayed on the screen
Display	Aspect Ratio	Wide Screen, 4:3, 1:1, Auto	Sets the screen aspect ratio
	HDMI/EDID Switch Mode	HDMI 4K, HDMI 5K	Sets the EDID® resolution data that is sent to video source devices
Audio	Mute	On, Off	Turns audio muting on or off
	Volume	0~100	Adjusts the audio volume level
	Audio Source	Auto Source, DP 1, DP 2, HDMI 1, HDMI 2	Selects the input used as the source for the audio output jack
Multi-Window	Multi-Window	Off, PBP 2WIN, PBP 4WIN	Sets the monitor to display 1, 2, or 4 video sources on screen with multiple inputs displayed side-by-side
	Sub Win2 Input	DP 1, DP 2, HDMI 1, HDMI 2	Selects the input for the second window in 2 or 4 window Picture-by-Picture display modes

Multi-Window	Sub Win3 Input	DP 1, DP 2, HDMI 1, HDMI 2	Selects the input for the third window in a 4 window Picture-by-Picture display mode
	Sub Win4 Input	DP 1, DP 2, HDMI 1, HDMI 2	Selects the input for the fourth window in a 4 window Picture-by-Picture display mode
	Swap	None	Swaps the Primary Input and Sub Win2 Input when using the PBP 2WIN mode
OSD	Language	English, Chinese, Korean, Russian, Spanish, Japanese, French	Selects the language used in the OSD menu
	OSD H-Position	0~100	Sets the horizontal position of the OSD menu
	OSD V-Position	0~100	Sets the vertical position of the OSD menu
	OSD Transparency	0~100	Sets the overall transparency/ opacity of the OSD menu
	OSD Timeout	5~100	Sets the amount of time of inactivity before the OSD menu automatically closes

OSD	OSD Rotation	Normal, 90, 180, 270	Rotates the orientation of the OSD menu
Other	DP Version	DP 1.1, DP 1.2, DP 1.4	Selects the DisplayPort version to use for solving handshaking issues
	Adaptive-Sync	On, Off	Turns Adaptive-Sync support on or off
	HDR	On, Off, Auto-Detect	Turns HDR on or off
	USB FW Update	None	Performs an update of the firmware from a file on a USB flash drive inserted into the USB port
	Reset	None	Resets all monitor settings to their factory default values

PICTURE-BY-PICTURE RESOLUTION SETTINGS

Picture-by-Picture (PbP) mode allows you to display 2 or 4 video images from different sources side-by-side on the screen. For best results, the output resolution of each source should be identical and should be adjusted to fit within the resolution limits of the monitor.

If using PbP mode with **2** video images, each source should be set to an output resolution of **2560x1440**.

If using PbP mode with **4** video images, each source should be set to an output resolution of **1280x1440**.

TROUBLESHOOTING

Q1: The screen is blank.

A1: Ensure that power is turned on. Try plugging a different device, such as a lamp, into the AC power outlet to ensure that it is live. Check the contrast/brightness settings. If the **LED INDICATOR** is flashing blue, the monitor is not receiving a video signal. Check the video cable connections. Try swapping the video cable with a known good one. Check the display settings of the connected device.

Q2: The image is out of focus.

A2: Check the video cable connections. Try swapping the video cable with a known good one. Check the Sharpness setting in the OSD menu.

Q3: The screen is flashing.

A3: Check the power cable connections. Try using a different AC power outlet. Ensure that devices that could cause radio or magnetic interference are at a safe distance or are powered off.

Q4: There is color bleeding, distortion, or other unusual effects.

A4: Check the video cable connections. Try swapping the video cable with a known good one. Inspect the condition of the video ports on the monitor and video source for physical damage. Adjust the color settings on the monitor and video source.

- Q5: The screen is rolling, scrolling, or moving.
- A5: Ensure that the source refresh frequency is within the range of the monitor. Check the video cable connections. Try swapping the video cable with a known good one.
- Q6: The **LED INDICATOR** is off.
- A6: Ensure that power is turned on. Check the power cord connections at the monitor and AC power outlet. Try plugging a different device, such as a lamp, into the AC power outlet to ensure that it is live.
- Q7: There is no video signal.
- A7: Confirm compatibility of the monitor and the video source. Check the video cable connections. Try swapping the video cable with a known good one. Inspect the condition of the video ports on the monitor and video source for physical damage.
- Q8: The image is dim.
- A8: Adjust the brightness and contrast.
- Q9: The image has jitter or a moire pattern
- A9: Ensure that devices that could cause radio or magnetic interference are at a safe distance or are powered off.

Q10: The **LED INDICATOR** is on or flashing, but there is no image on the screen.

A10: Check the video cable connections. Try swapping the video cable with a known good one. Inspect the condition of the video ports on the monitor and video source for physical damage. Ensure the video source is no "asleep" or in standby mode.

Q11: The image position or size is incorrect.

A11: Check the display settings on the video source.

TECHNICAL SUPPORT

Monoprice™ is pleased to provide free, live, online technical support to assist you with any questions you may have about installation, setup, troubleshooting, or product recommendations. If you ever need assistance with your new product, please come online to talk to one of our friendly and knowledgeable Tech Support Associates. Technical support is available through the online chat button on our website **www.monoprice.com** or through email by sending a message to **tech@monoprice.com**. Check the website for support times and links.

To download the latest drivers, firmware, manuals, etc., go to **www.monoprice.com** and type the **P/N** into the search bar. If available, support files are linked at the bottom of the product page.

SPECIFICATIONS

Model	43305
Display Size	49"
Maximum Resolution	5120x1440
Aspect Ratio	32:9
Refresh Rate	120Hz
Video Inputs	2x DisplayPort® 1.4, 2x HDMI® 2.0
Panel Type	VA with Quantum LCD technology
Panel Model	CSOT® SG4903M01-1
Curvature	1800R
Active Display Area (H/V)	1193.472 x 335.664 mm
Maximum Brightness	400 cd/m2
Default Color Temperature	6500K
Contrast Ratio	3000:1
Number of Colors	More than 16.7 million
Color Depth	8-bit
Color Gamut	sRGB 99%, NTSC 98%, DCI-P3 95%, Adobe® RGB 93%
View Angles (H/V)	178°/178°
Response Time	4ms
VESA® Mounting Pattern	75x75
Input Power	100 ~ 240 VAC, 50/60 Hz, 2.0A
Maximum Power Consumption	105 watts
Typical Power Consumption	80 watts

Standby Power Consumption	≤0.5 watts
Stand Tilt Range	-5°~ +15°
Stand Height Adjustment	None
Stand Swivel Range	None
Dimensions (with stand)	47.2" x 18.5" x 9.7" (1199 x 471 x 246 mm)
Dimensions (without stand)	47.2" x 14.8" x 6.3" (1199 x 376 x 160 mm)
Weight (with stand)	32.6 lbs. (14.8 kg)

REGULATORY COMPLIANCE

Notice for FCC



This device complies with Part 15 of the FCC rules. Operation is subject to the following two conditions: (1) this device may not cause harmful interference, and (2) this device must accept any interference received, including interference that may cause undesired operation.

Modifying the equipment without Monoprice's authorization may result in the equipment no longer complying with FCC requirements for Class B digital devices. In that event, your right to use the equipment may be limited by FCC regulations, and you may be required to correct any interference to radio or television communications at your own expense.

This equipment has been tested and found to comply with the limits for a Class B digital device, pursuant to Part 15 of the FCC Rules. These limits are designed to provide reasonable protection against harmful interference in a residential installation. This equipment generates, uses and can radiate radio frequency energy and, if not installed and used in accordance with

the instructions, may cause harmful interference to radio communications. However, there is no guarantee that interference will not occur in a particular installation. If this equipment does cause harmful interference to radio or television reception, which can be determined by turning the equipment off and on, the user is encouraged to try to correct the interference by one or more of the following measures:

- Reorient or relocate the receiving antenna.
- Increase the separation between the equipment and receiver.
- Connect the equipment into an outlet on a circuit different from that to which the receiver is connected.
- Consult the dealer or an experienced radio/TV technician for help.

Notice for Industry Canada

This Class B digital apparatus complies with Canadian ICES-003.

Cet appareil numérique de la classe B est conforme à la norme NMB-003 du Canada.

Monoprice™, Dark Matter™, the Dark Matter logo, and all Monoprice logos are trademarks of Monoprice Inc.

HDMI®, the HDMI Logo, and High-Definition Multimedia Interface are trademarks or registered trademarks of HDMI Licensing LLC in the United States and other countries.

VESA®, DisplayPort®, and the DisplayPort logo are registered trademarks of the Video Electronics Standards Association.

EDID® is a registered trademark of the Video Electronics Standards Association.

CSOT® is a registered trademark of TCL China Star Optoelectronics Technology Co., Ltd.

