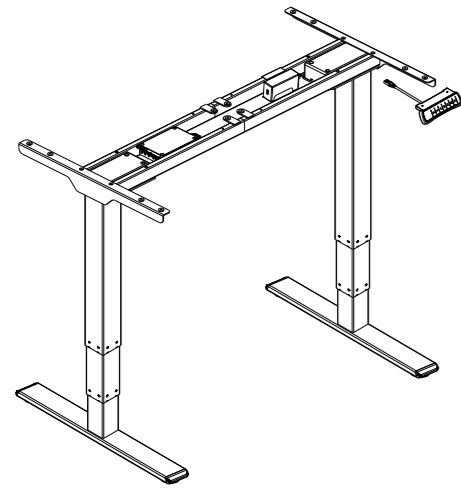




Dual Motor 3-Stage Sit-Stand Desk

INSTALLATION GUIDE P/N 43562/ 43563



Technical data

Column Stage	3
Max. Weight Capacity	220LBS (100KG)
Height Range	24.4-50.0 in. (620-1270mm) (Without tabletop)
Width Range	43.3-66.9 in. (1100-1700mm)

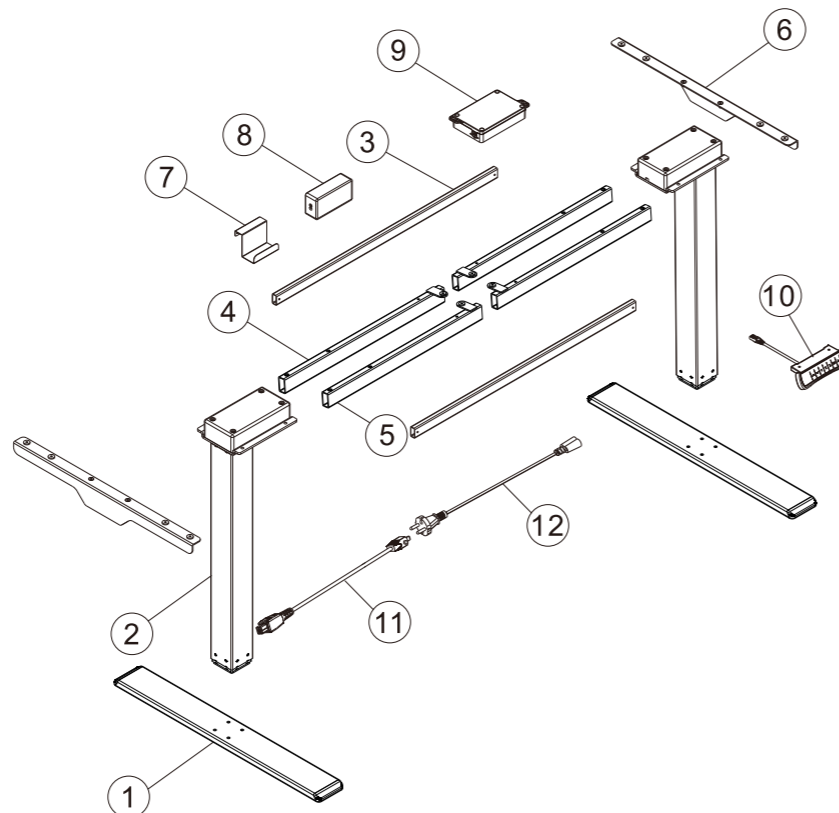
Accessory list

Attention: The drawings below are for guidance only and they may differ slightly from the product and fittings received. Please contact our customer service department if you have any queries.

No.	Image	Spec	Qty
A		M6	4
B		M6	8
C		M6	8
D		St4.2	6
E		Cable tie	6
F		St4.2	16
G		Allen Key 4x4mm	1

Component list

No.	Part	Qty	No.	Part	Qty
①	Feet	2	②	Lifting Column	2
③	Connection rod	2	④	Left Supporting Beam	2
⑤	Right Supporting Beam	2	⑥	Side bracket	2
⑦	Adapter arm	1	⑧	Adapter	1
⑨	Control Box	1	⑩	Handset (Option)	1
⑪	Adapter cable	1	⑫	Power Plug	1

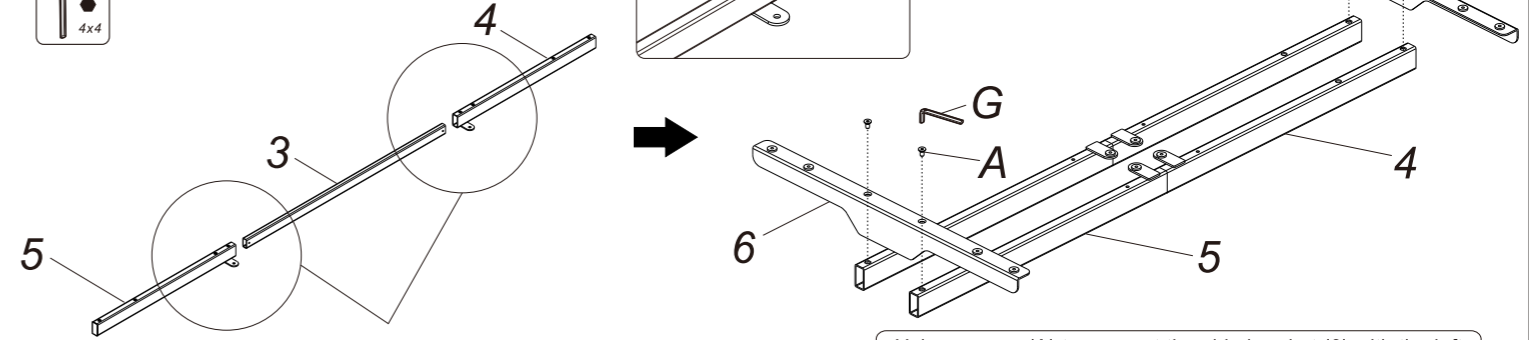
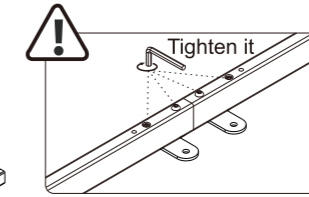


STEP 1

Install the supporting beam and the side bracket



! If the connecting rod cannot be inserted into the supporting beam, please loosen the screws on the beam.

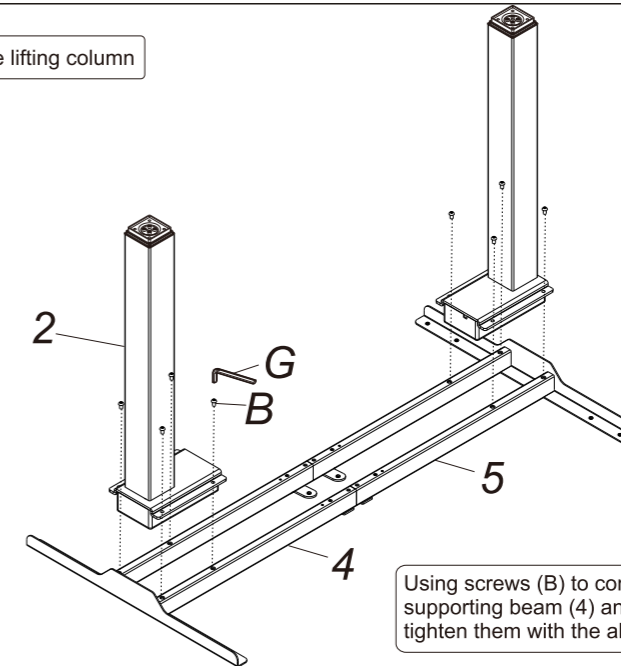


Using screws (A) to connect the connection rod (3) with the left supporting beam (4) and the right supporting beam (5), and tighten them with the allen key (G).

Using screws (A) to connect the side bracket (6) with the left supporting beam (4) and the right supporting beam (5), and tighten them with the allen key (G).

STEP 2

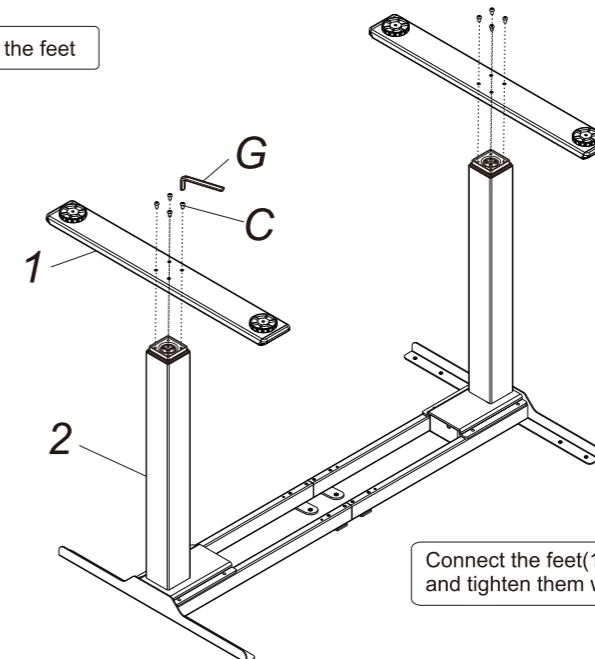
Install the lifting column



Using screws (B) to connect the lifting column (2) with the left supporting beam (4) and the right supporting beam (5), and tighten them with the allen key (G).

STEP 3

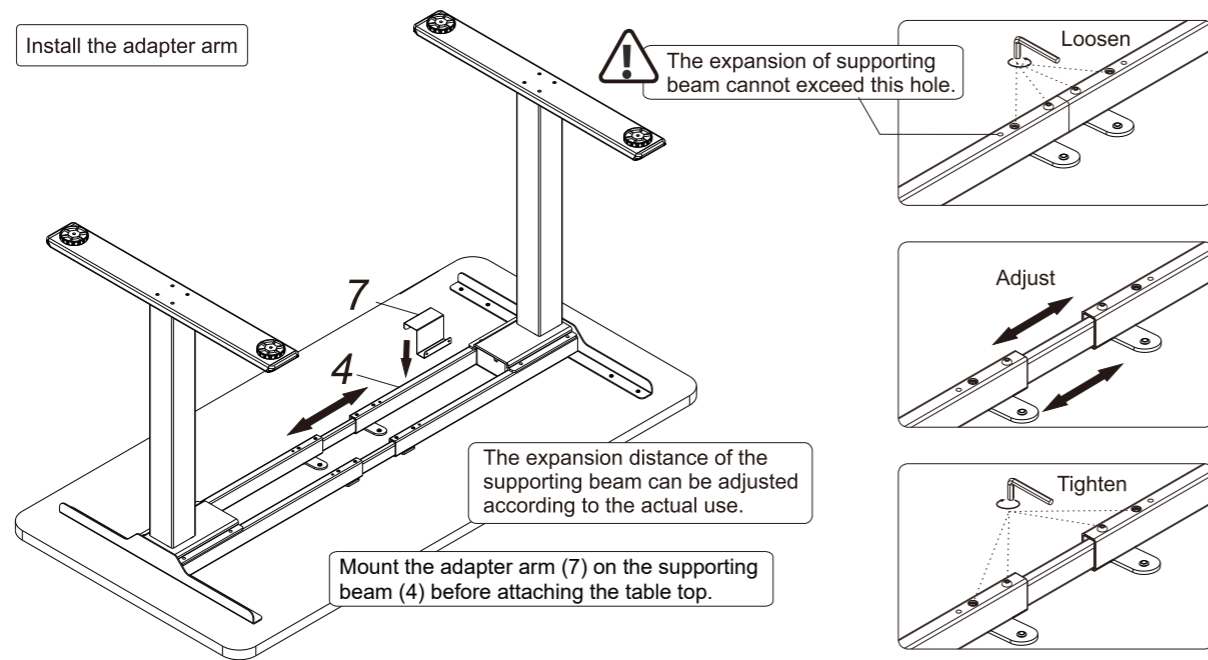
Install the feet



Connect the feet(1) and the lifting column (2) with screws (C), and tighten them with the allen key (G).

STEP 4

Install the adapter arm

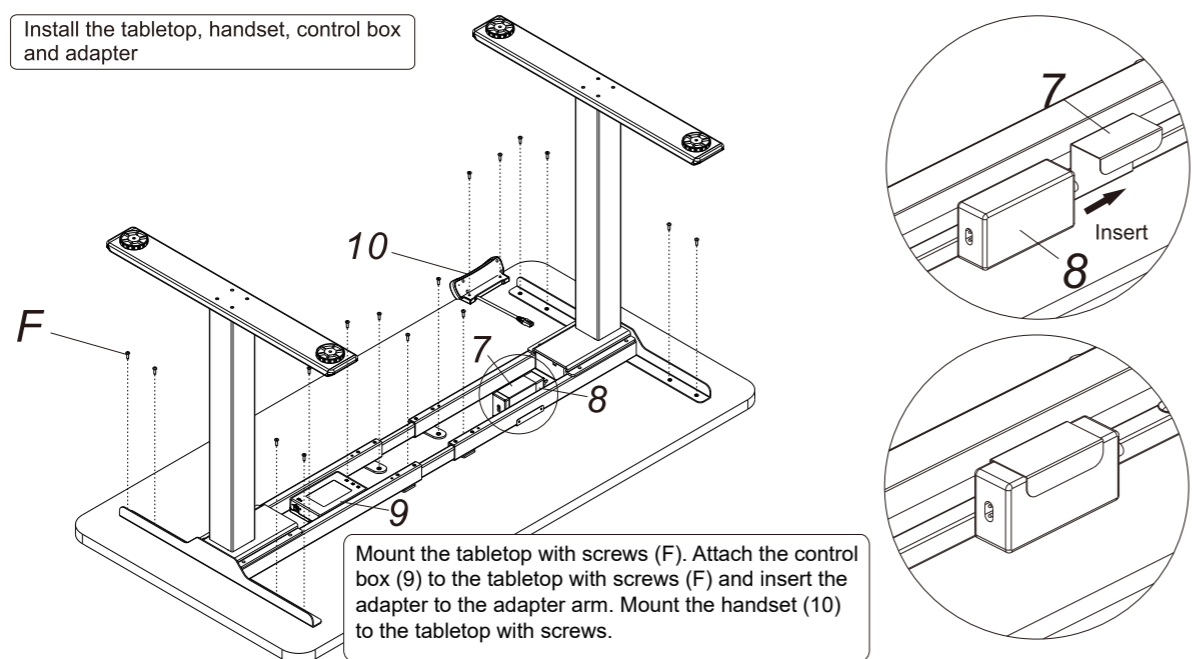


The expansion distance of the supporting beam can be adjusted according to the actual use.

Mount the adapter arm (7) on the supporting beam (4) before attaching the table top.

STEP 5

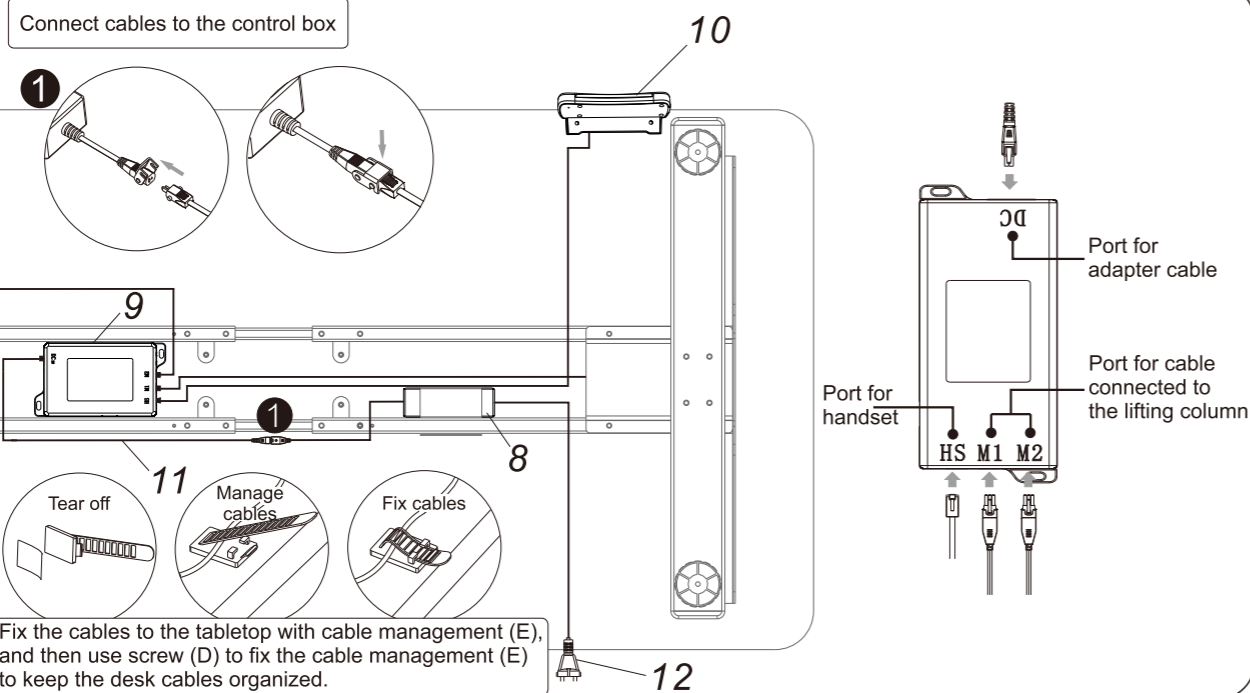
Install the tabletop, handset, control box and adapter



Mount the tabletop with screws (F). Attach the control box (9) to the tabletop with screws (F) and insert the adapter to the adapter arm. Mount the handset (10) to the tabletop with screws.

STEP 6

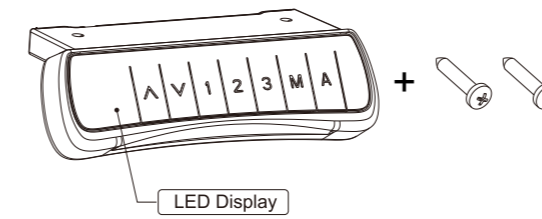
Connect cables to the control box



Fix the cables to the tabletop with cable management (E), and then use screw (D) to fix the cable management (E) to keep the desk cables organized.

How to use handswitch

Button



The desk has seven control buttons on the handset.

"▲", "▼", "1", "2", "3", "M", "A"

- (1) "▲": Adjust the desk upwards
- (2) "▼": Adjust the desk downwards
- (3) "1": Position 1, first height position saved by the user
- (4) "2": Position 2, second height position saved by the user
- (5) "3": Position 3, third height position saved by the user
- (6) "M": Height memory function
- (7) "A": Alert button to remind users changing posture

Instruction

- Height Adjustable Function: Press the "▲" or "▼" button to adjust the height. The LED display shows the current height.
- Height Memory Function:
 - a. Press UP or DOWN button and adjust the height to the desired height. Press "M" to save the height, and the screen will display "5-". Press "1", "2", or "3" then, that is, save the height to the corresponding position 1 or 2 or 3, which will show in the display screen as "5-1", "5-2", or "5-3";
 - b. Press "1", "2" and "3" button directly to automatically adjust the memory height you saved.
- Reminder Function:
 - a. Press REMINDER button "A" to activate the function. The LED display shows "00" or "on".
 - b. Two seconds later, press the "▲" or "▼" button to adjust the reminder time only when the display screen flashes. The default time of the reminder is 45 minutes, which is shown as "45". Then press any button to save the time setup, or wait 5 seconds and system will save the time setup automatically. During the countdown, any operation will lead to a repeat starting of the timer. When the countdown finishes, display screen will show "00" the buzzer will be active with a 10-second "DiDi...DiDi..." tone.
 - c. Within the 10-second reminder buzz, press any button to reactivate the time countdown that is set up in (b) step. If no operation during the 10-second reminder buzz, there will be another reminder buzz after 5 minutes. No operation during the second buzz will turn off the Long-Time Sitting Reminder.
 - d. Press and hold the "A" button for three seconds to turn off the Long-Time Sitting Reminder. The LED display shows "0FF" or "oFF".
- Anti-collision sensitivity adjustment - optional features:
 - a. Press and hold the "▲" "▼" button for 5 seconds at the same time to switch the sensitivity.
 - b. The display shows "H-B", the anti-collision function is off; the display shows "H-1", low sensitivity; Display shows "H-2", medium sensitivity; display shows "H-3", high sensitivity; (factory default is A-3);
 - c. During height adjustment, when tabletop comes in contact with another object, it instantly stops and reverses to avoid damage.
- Troubleshooting:
 - a. Reset: When the LED shows "H5f", press "▼" button until the desk reaches its lowest height and rebounds to stop, it means the reset has been finished.
 - b. When it doesn't work and the LED shows "E01" or "E02", 18 minutes later to allow the desk to cool down from a possible overheat protection status.
 - c. If the "▼" button doesn't work, please check the cable connection and then cut off the power for at least 10 seconds. Reconnect to the power and press "▼" button to start the reset process when it shows the "H5f".
 - d. If all these above process are inefficient, please contact our customer service.

Troubleshooting

The following tips will help you with possible common faults and errors. If the fault you encounter is not listed below, please contact customer support.

Fault	Troubleshooting method
No response when pressing buttons after connecting the power supply, including pressing and holding the down or up arrow buttons	Check that all cables are connected properly
Slow desk rise speed	Check that the desk is not overloaded and within the 220lb load rating
Desk height slides downwards or keeps changing	Check that the desk is not overloaded and within the 220lb load rating
Desk goes down but does not go up	Check for overloading. Check that there are no obstacles or tangled cables.
Desk unresponsive, overheat or overworked	Keep the desk plugged in and wait for the desk to restart in approximately 18 minutes (duty cycle: 2 minutes operation, 18 minutes stand by).
Not enough height adjustment range	Press "M" and "3" together for 3 seconds until 2 beeps are heard to restore factory settings.

WARNING

1. Power supply: AC100V-240V, 50/60Hz
2. Service Environment: 0-40°C
3. Unplug the power plug before cleaning, wipe the dust on surface with slight wet dishcloth when cleaning, be careful not to let the drops into the internal parts, not loose the connector.
4. The electric box contains electronic components, metals, plastics, wires etc., so dispose of it in accordance with each country's environmental legislation, not the general household waste.
5. Check carefully to ensure correct and complete assembly before using.
6. Be familiar with all functions and program settings of the product before first use.
7. Children are forbidden to play on the product because of unforeseen action when playing, so any dangerous consequences caused by this improper action will not be on manufacturers.
8. Slight noise caused by the V-ribbed belt or brake system due to structure will not have any effect on the use of the equipment.
9. Corrosive or abrasive materials are forbidden to clean the equipment. Must ensure that the cleaner used will not pollute the environment.
10. This appliance can be used by children aged from 8 years and above and persons with reduced physical, sensory or mental capabilities or lack of experience and knowledge if they have been given supervision or instruction concerning use of the appliance in a safe way and understand the hazards involved. Children shall not play with the appliance.
11. Cleaning and user maintenance shall not be made by children without supervision.
12. If the supply cord is damaged, it must be replaced by the manufacturer, its service agent or a similarly qualified person in order to avoid a hazard.
13. Please make sure there is no hazard sources in your operating environment. e.g., do not litter the tools around. Always be careful to treat the packaging materials in order to avoid any possible danger, e.g. plastic bag may lead to choking hazard to children.
14. Keep the original package of the equipment if necessary in case of the future use in transportation.

Waste disposal



This marking indicates that this product should not be disposed with other household wastes. To prevent possible harm to the environment or human health from uncontrolled waste disposal, recycle it responsibly to promote the sustainable reuse of material resources. To return your used device, please use the return and collection systems or contact the retailer where the product was purchased. They can take this product for environmental safe recycling.