

## Instruction / Installation Sheet

### DataComm Electronics 45-0010 Recessed Media Box

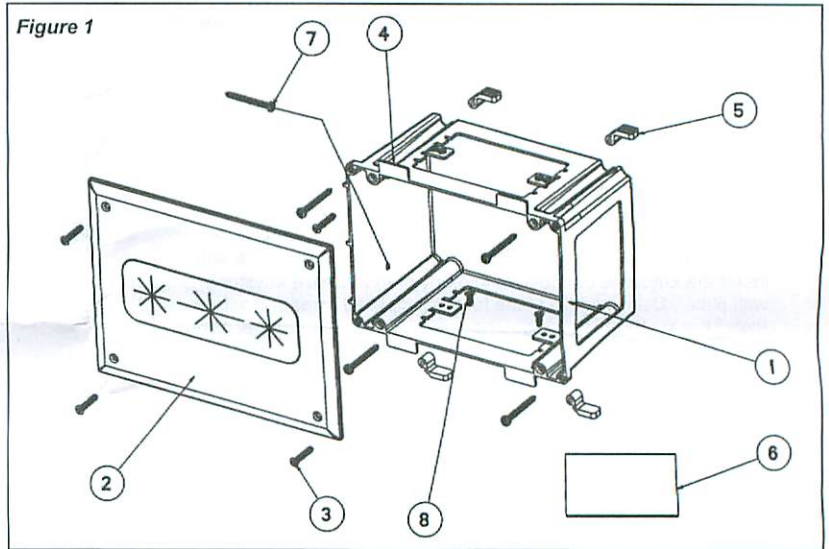


DataComm Electronics, Inc.  
6349 Peachtree Street  
Norcross, GA 30071-1725  
888.223.7977  
770.662.8205  
www.datacommelectronics.com

**Parts Included:** See Figure 1

1. Recessed Media Box
2. Wall Plate
3. Wall Plate Screws (4)
4. Retrofit Mounting Tabs (4)
5. Retrofit Mounting Wings with Screws (4)
6. Black Foam Tape
7. #6 Wood Screws (2)
8. Small Threaded Screws (4)
9. Screwdriver (Not Pictured)

Figure 1

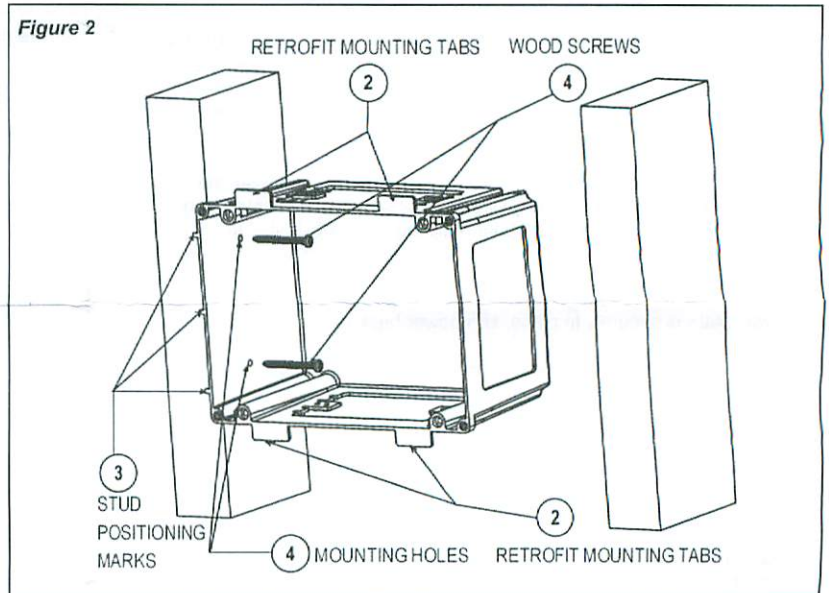


**For New Construction with Stud Mounted Installation Only:**

1. Select the location for mounting the recessed media box.
2. **See Figure 2:** Break the four (4) retrofit mounting tabs off and remove all four retrofit mounting wings. It is very important to break off all four (4) retrofit mounting tabs when installing for new construction.
3. Using the stud positioning marks – align the recessed media box to the stud.
4. Using the two supplied wood screws, secure the recessed media box to the stud through the two (2) mounting holes.
5. Next, install the drywall (wallboard) with a cutout opening of approximately 7-3/8" x 5-5/16".
6. Using the four (4) mounting screws, install the flexible cover plate.

Installation of the recessed media box for new construction is now complete. See wiring instructions for low voltage and line voltage installation.

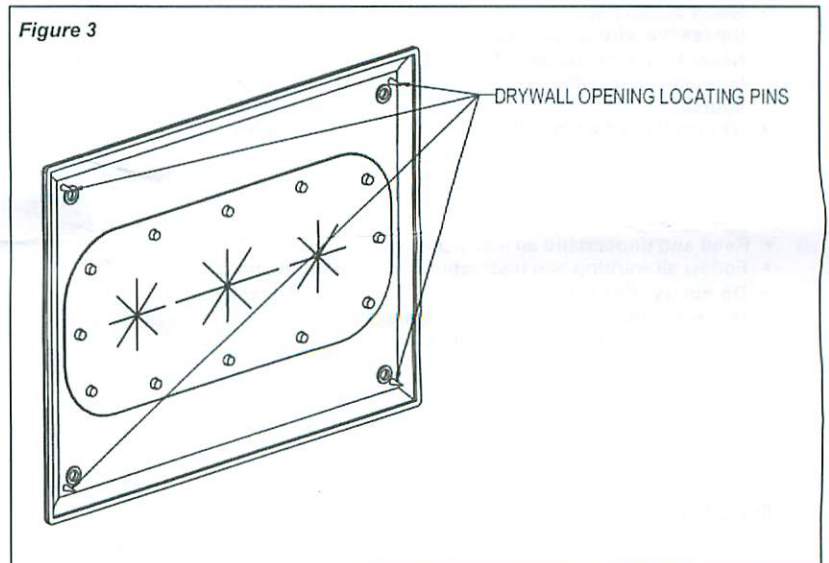
Figure 2



**Installation Instructions for Retrofit Only:**

1. Select the location for mounting the recessed media box.
2. The recessed media box is designed to be mounted between two studs. Using a stud finder, locate and mark the studs that are behind the drywall. Make sure the studs are at least 11" apart.
3. Locate the four (4) drywall opening locating pins on the back of the cover plate (**see Figure 3**). After selecting the location for the recessed media plate, press the back of the cover plate against the drywall allowing the four drywall opening locating pins to mark the outline of the recessed cable plate opening on the drywall. Use a ruler or straight edge object to connect the drywall locating pin holes to form an opening for the recessed media box. Using a drywall saw, cut the traced opening out of the drywall thus creating a hole approximately 7-3/8" x 5-5/16" to insert the recessed media box into the wall.
4. While inserting the recessed media box into the wall, the four (4) retrofit mounting tabs will stop the recessed media box at the drywall. Next, tighten the four (4) wing bracket mounting screws. When wing bracket screws are tightened, the box is drawn firmly against the drywall.
5. Use the four (4) mounting screws to install the flexible cover plate.

Figure 3



### **Low Voltage and Line Voltage Wiring Instructions:**

This product is to be installed in accordance with all electrical codes and regulations. Please consult a qualified licensed electrician if you are unable to understand any part of the instructions.

#### **Low Voltage Instructions:**

**See Figure 4:** Select the desired top or bottom opening in the recessed media box and pull your low voltage cables through the recessed media box opening. If you use keystone connectors, connect your low voltage cables to the keystone connectors and insert the keystone connectors into any standard size keystone wall plate. Using two (2) of the four (4) supplied threaded screws, install the standard size keystone wall plate inside of the recessed media box. The standard size keystone plate mounting holes will line up with the junction box tabs.

#### **Line Voltage Instructions:**

**Warning:** Turn off the power at your circuit breaker or fuse and test the power to make sure it is off before wiring.

1. **See Figure 5:** Use a standard retrofit junction box (Allied Moulding or Carlon). Select the top or bottom opening in the recessed media box and install the retrofit junction box. Tighten the two mounting screws on the retrofit junction box to secure the retrofit junction box to the recessed media box.
2. Run the electrical wires to the retrofit junction box and install the desired line voltage device (using line voltage device's installation instruction sheet) to support your application needs. Install a standard size wall plate to cover your line voltage device.
3. Once all the line voltage wiring is complete and the standard size wall plate is securely in place, turn power back on.
4. Use the provided black foam to seal any unused openings.

**Finished Installation:** See Figure 6

#### **CAUTION**

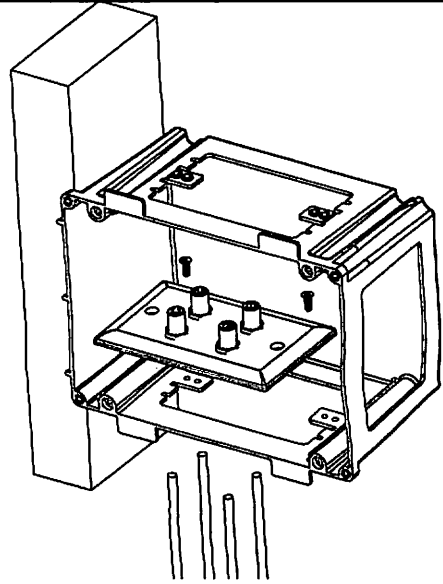
- Never install low or line voltage wiring during lightning storms.
- Never install low or line voltage wiring in wet locations unless the wire is specifically designed for wet locations.
- Never touch un-insulated low or line voltage wires or terminals unless the wire has been disconnected at its source.
- Use caution when installing low or line voltage cables.

#### **IMPORTANT INSTRUCTIONS**

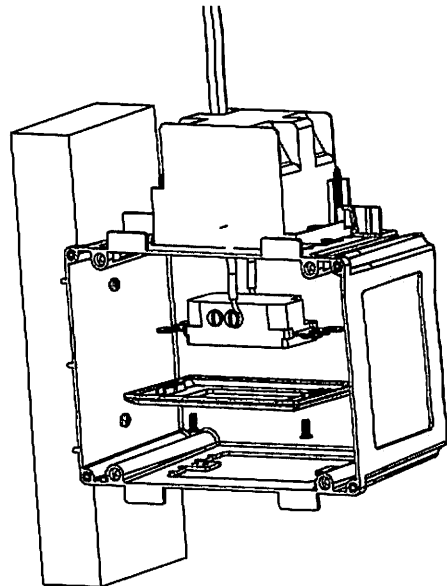
- Read and understand all instructions.
- Follow all warning and instructions marked on the product.
- Do not use this product near water, for example near a bath tub, wash bowl, kitchen sink, or laundry tub, in a wet basement, or near a swimming pool.
- SAVE THESE INSTRUCTIONS...

 ETL LISTED  
CONFORMS TO  
UL STD 514C  
3026001 CERTIFIED TO  
CAN/CSA STD C22.2 NO. 42.1

**Figure 4**



**Figure 5**



**Figure 6**

