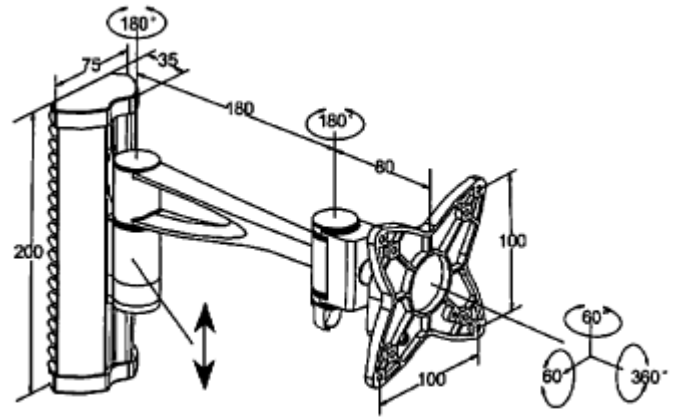


Installation Guide







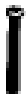






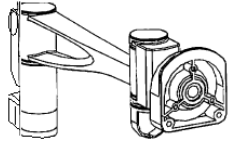
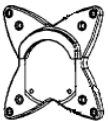
Monoprice Flat Panel Display Adjustable Wall Mount

VESA 75/100mm
 Max Weight: 33lbs/15kg
 TV to Wall: Min 128mm, Max 188mm



Package Contents:

Please review before starting to make sure no parts are missing. If any parts are missing, please contact us to have replacement parts sent to you.

<p>A</p>  <p>4mm Allen Key X 1</p>	<p>B</p>  <p>3mm Allen Key X 1</p>	<p>C</p>  <p>M4x14mm X 4</p>	<p>D</p>  <p>M4x10mm X 4</p>	<p>E</p>  <p>M5x14mm X 4</p>
<p>F</p>  <p>M5x10mm X 4</p>	<p>G</p>  <p>M5x50mm X 4</p>	<p>H</p>  <p>8x36mm Concrete Anchor X 4</p>	<p>I</p>  <p>"L" Bracket X 1</p>	<p>J</p>  <p>M5x20mm X 2</p>
<p>K</p>  <p>Wall Bracket X 1</p>	<p>L</p>  <p>Wall Bracket Cap X 2</p>	<p>M</p>  <p>Cable Mgmt Guide X 2</p>	<p>N</p>  <p>Arm Assembly X 1</p>	<p>O</p>  <p>Display Mounting Plate X 1</p>

Introduction:

Thanks for purchasing the Monoprice MCD-132 adjustable flat panel display wall mount. The MCD-132 is designed to be attractive, durable, easy to install and provide you with years of reliable service. The mount can be installed on to solid concrete or wood studs. If you plan to install it onto any other type of wall surface, please consult the advice of a professional installer.

Installation:

Step One:

Concrete:

1a. If you are installing on to concrete or solid brick, you will need to use the included concrete anchors (part H). Use a level to position the wall bracket (part K) at the place on the wall you want to install the mount and make sure the bracket is vertically straight. Holding the wall bracket to the wall, use a pencil to mark the 4 points the mount will attach to the wall. Drill 8mm pilot holes approximately 50mm deep. Insert the anchors into each of the holes. Line up the wall bracket with the pilot holes and attach the bracket to the wall with the lag bolts (part G). Before inserting the 2 bottom lag bolts, insert the "L" bracket (part I) up through the groove in the wall bracket from the bottom aligning it as shown in the illustration. Use the top of the two bottom bolts to secure the "L" to the bracket and wall.

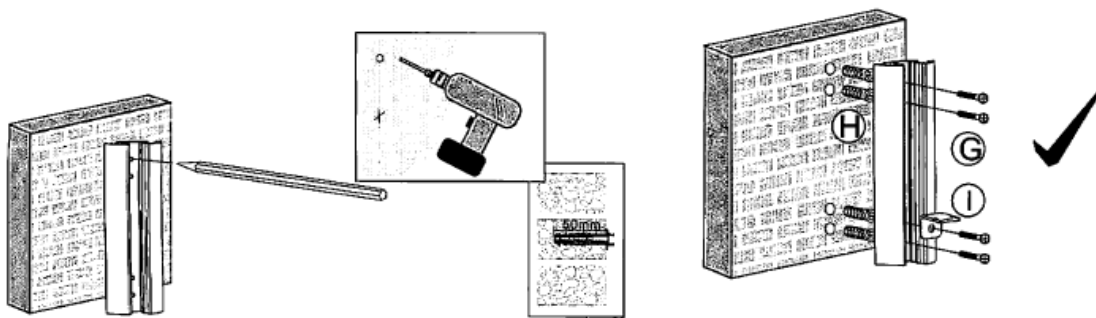


Figure 1a

Wood Studs:

1b. If you are installing on to a wood stud wall, you will need to use a stud finder to locate the location of a stud in the wall. Mark your stud. Use a level to position the wall bracket (part K) along the stud and make sure the bracket is vertically straight. Holding the wall bracket to the wall, use a pencil to mark the 4 points the mount will attach to the wall. Mount directly over a stud. Never mount directly to unsupported drywall. Drill 5mm pilot holes approximately 50mm deep into the stud. Line up the wall bracket with the pilot holes and attach the bracket to the wall with the lag bolts (part G). Before inserting the 2 bottom lag bolts, insert the "L" bracket (part I) up through the groove in the wall bracket from the bottom aligning it as shown in the illustration. Use the top of the two bottom bolts to secure the "L" to the bracket and wall.

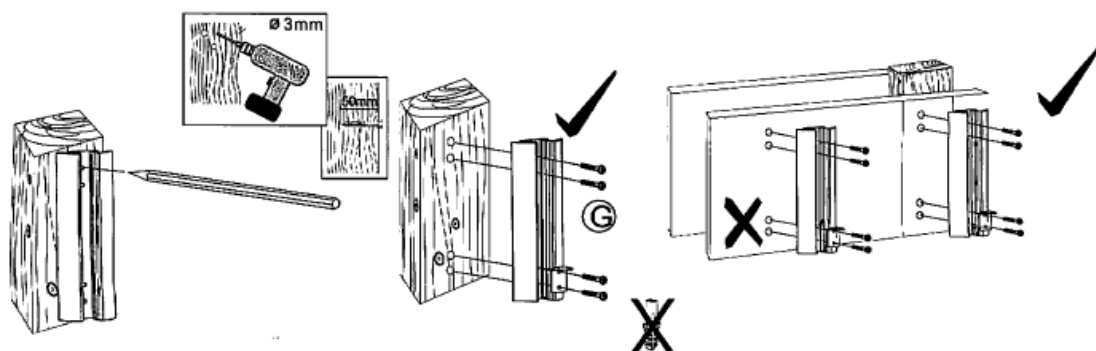


Figure 1b

Step Two:

Attach the bottom wall bracket cap (part L) and slide the cable management guides (part M) into their appropriate grooves on the wall bracket if they are not already installed.

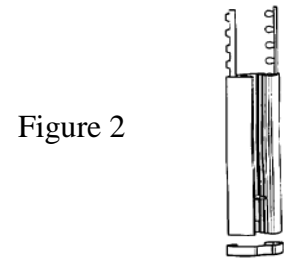


Figure 2

Step Three:

Make sure the arm assembly (part N) is oriented correctly. The arm should extend out from the top of the cylinder that attaches to the wall bracket and the plastic snap clips should be on the bottom cylinder. Slide the wall bracket attachment arm of the arm assembly on to the wall bracket into the center groove from the top opening of the wall bracket. Slide the arm assembly down keeping it tilted at an upward angle till you bring it to the position on the wall bracket you desire.

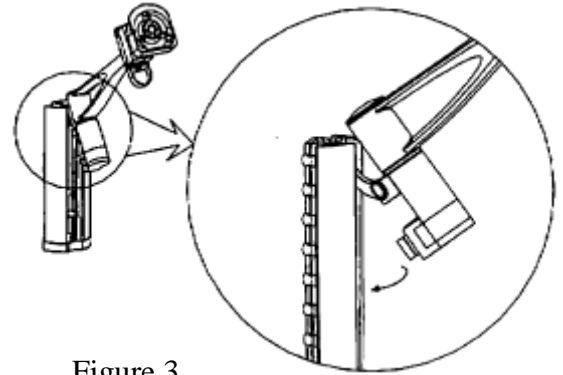


Figure 3

Step Four:

Snap the bottom snap clip into the wall bracket groove. It should click into place and the arm assembly should be upright and not able to slide up and down once it is snapped properly in place.

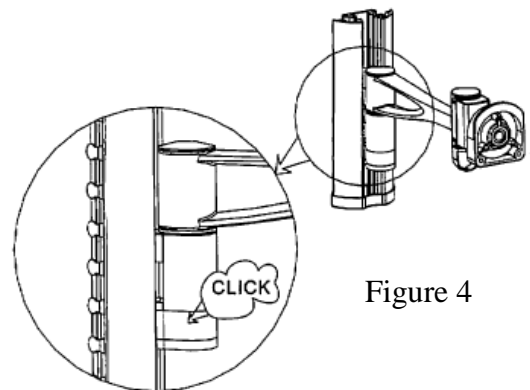


Figure 4

Step Five:

Attach the top wall bracket cap (part N).

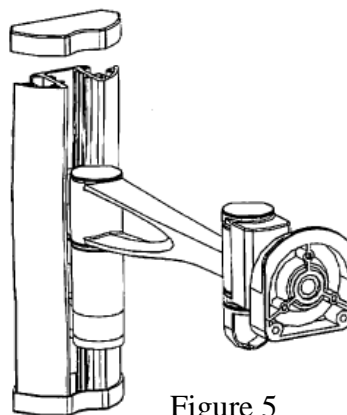


Figure 5

Step Six:

After having prepped your flat panel display by removing any table top stands as instructed in the manual for your display, attach the display mounting plate (part O) to the back of your display. Make sure it is in the correct orientation. The “U” shaped lip should be on the top of the plate pointing downward. Use four of the machine screws included with the mount (Part C, D, E or F) or included with your display to attach the plate to the back of the display. If none of the included screws fit, contact the manufacturer of your display to find out the appropriate size needed and purchase them at a local hardware store.

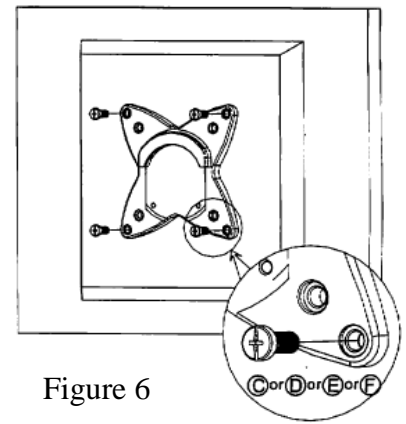


Figure 6

Step Seven:

Hook the lip of the display plate onto the head of the arm assembly. Align the two bottom holes on the head to the holes on the plate and attach them with the allen bolts (Part J) and tighten with the included Allen key (part A)

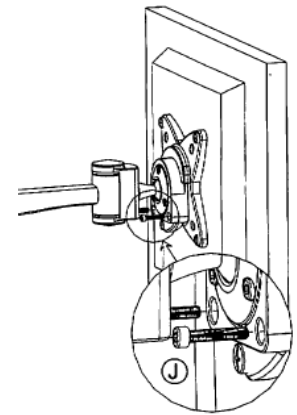


Figure 7

Step Eight:

Adjust your display to the desired position. Once in the desired position, use the Allen key (Part B) to tighten the three smaller allen bolts securing the ball retention ring to secure your display's position.

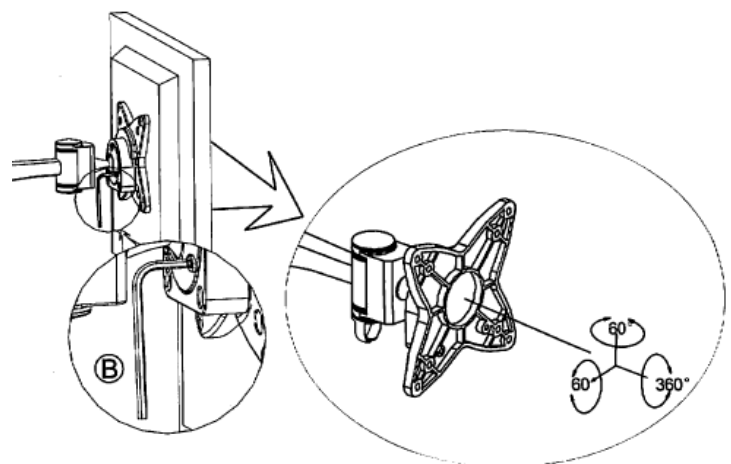


Figure 8

Congratulations, You're Done!

The display should be able to swivel freely side to side on it's swing arm but should hold it's tilt and rotational position. Enjoy.