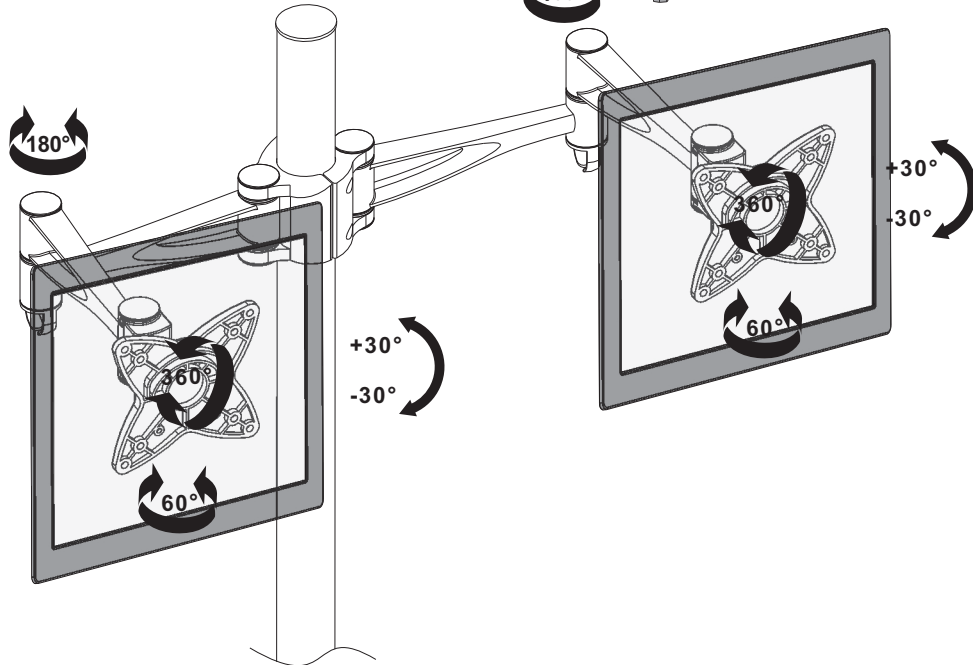
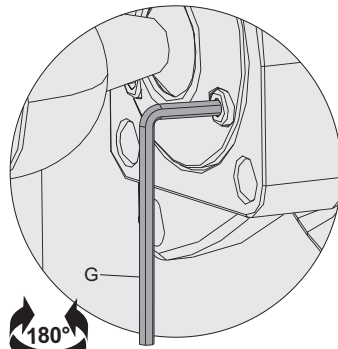


## 5. Adjustment

Depending on the weight of the display, it may be necessary to make adjustments to the Ball Joint Mechanism.



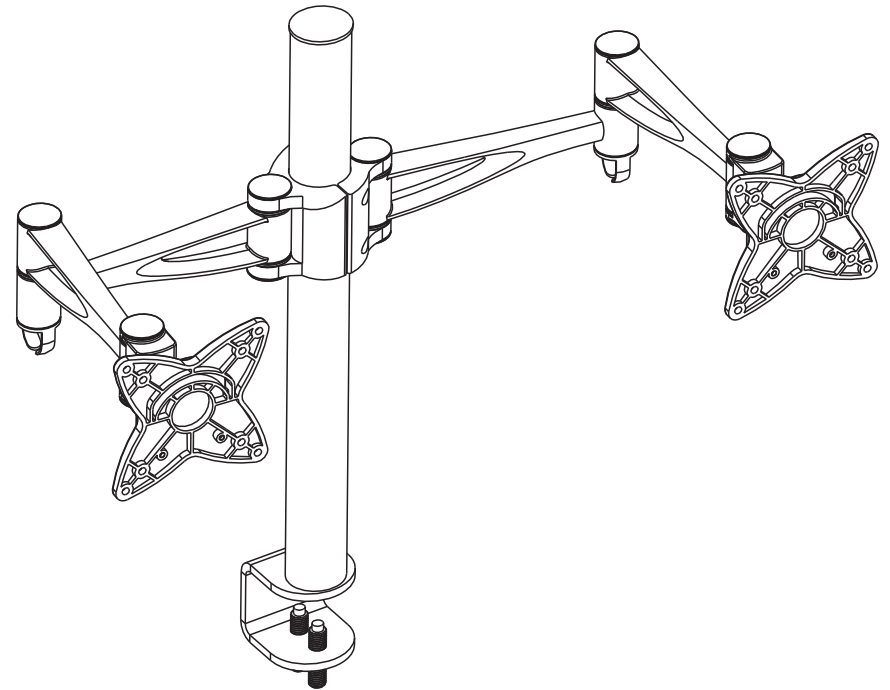
Adjust to desired location or tilt.

### Maintenance

- Check that the bracket is secure and safe to use at regular intervals (at least every three months).
- Please contact your dealer if you have any questions.

# MONOPRICE® INSTALLATION INSTRUCTIONS

## Full Motion Desk Mount



CAUTION: DO NOT EXCEED MAXIMUM LISTED WEIGHT CAPACITY. SERIOUS INJURY OR PROPERTY DAMAGE MAY OCCUR!

PID 5560



75x75  
100x100



ISSUED: NOV. 2012

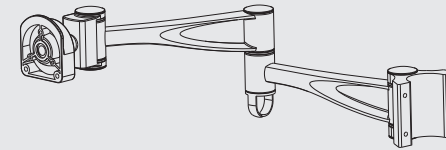
**NOTE:** Read the entire instruction manual before you start installation and assembly.

## WARNING

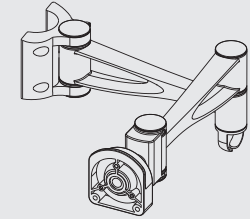
- Do not begin the installation until you have read and understood the instructions and warnings contained in this installation sheet. If you have any question regarding any of the instruction or warning, please contact your local distributor.
- This mounting bracket was designed to be installed and utilized **ONLY** as specified in this manual. Improper installation of this product may cause damage or serious injury.
- Make sure that the supporting surface will safely support the combined load of the equipment and all attached hardware and components.
- Tighten screws firmly, but do not over tighten. Over tightening can damage the items, greatly reducing their holding power.
- This product is intended for indoor use only. Using this product outdoors could lead to product failure and personal injury.

## Component Checklist

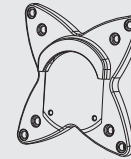
**IMPORTANT:** Ensure that you have received all parts according to the component checklist prior to installing. If any parts are missing or faulty, telephone your local distributor for a replacement.



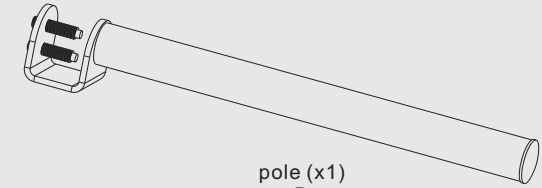
adapter bracket  
assembly (x1)  
A



adapter bracket  
assembly (x1)  
B



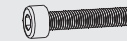
VESA plate (x2)  
C



pole (x1)  
D



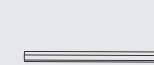
M5x15 (x4)  
E



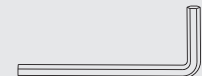
M5x20 (x4)  
F



3mm Allen key (x1)  
G

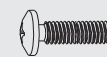


4mm Allen key (x1)  
H

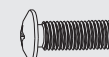


6mm Allen key (x1)  
I

### Package M x2

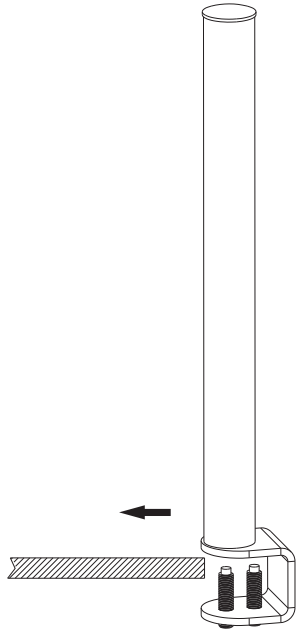


M4x14 (x4)  
M-A

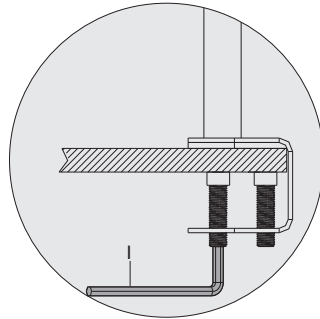


M5x14 (x4)  
M-B

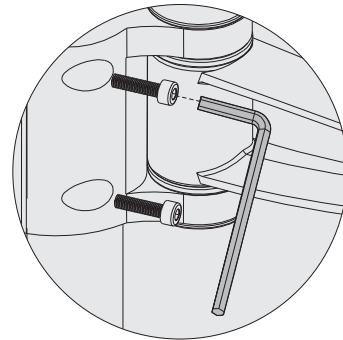
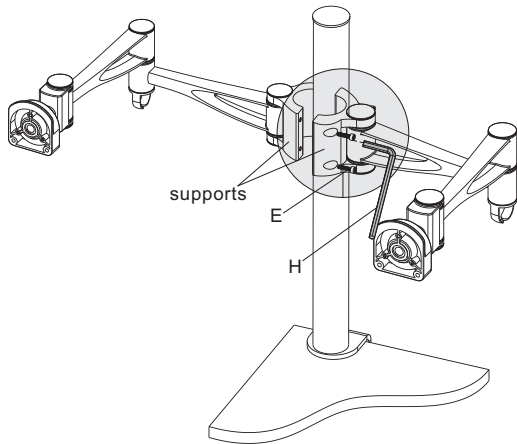
## 1. Installation to Desk



- Determine approximate location for mount keeping in mind display size, height adjustment and pitch/roll requirements.
- Slip the pole assembly over the edge of desk so that clamp fully contacts desk edge. Tighten two screws to adjust it to edge of desk and secure it tightly.

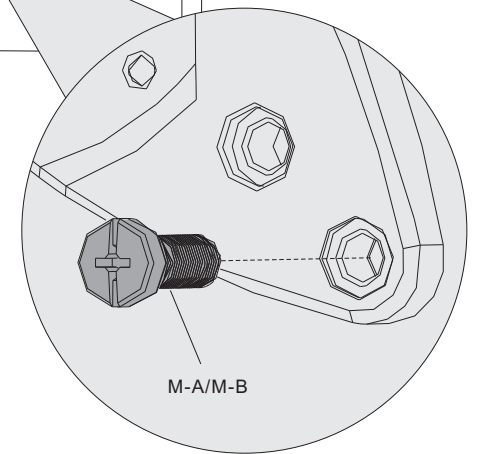
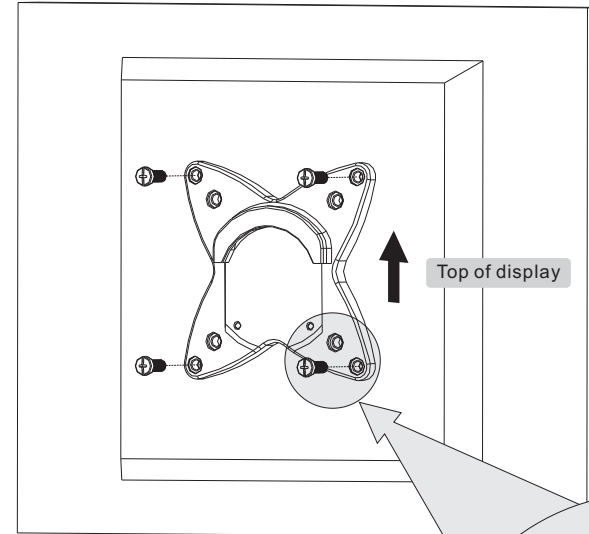
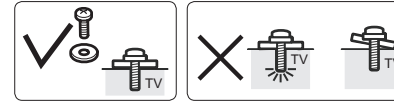


## 2. Install Articulated Arm Assemblies




- Attach two articulated arm assemblies to hole assembly at a desired position.
- Tighten the supports firmly using 4mm Allen key.

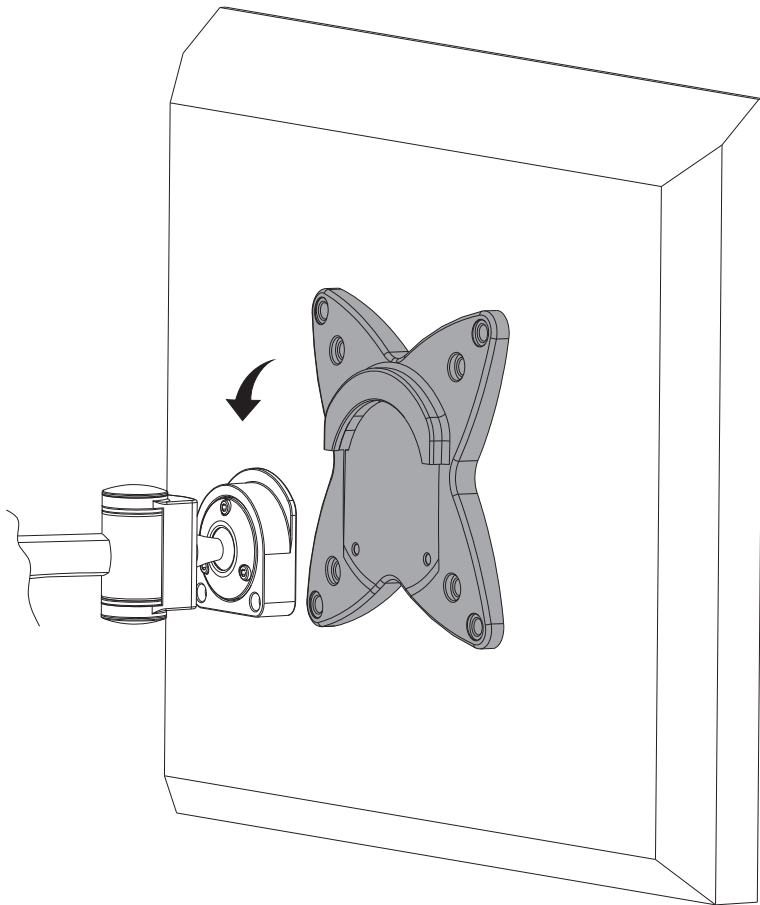
## 3. Install the VESA Plates



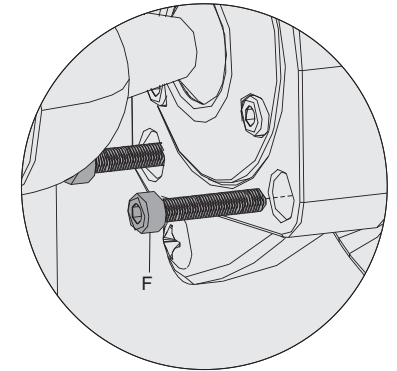
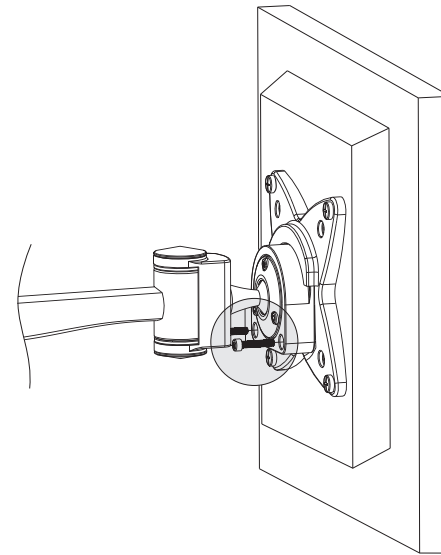
Screw the VESA plate onto the display.

 **Tighten all screws but do not over tighten.**

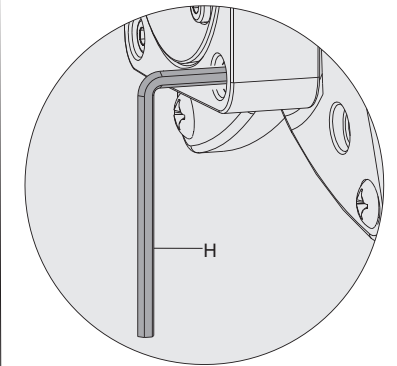
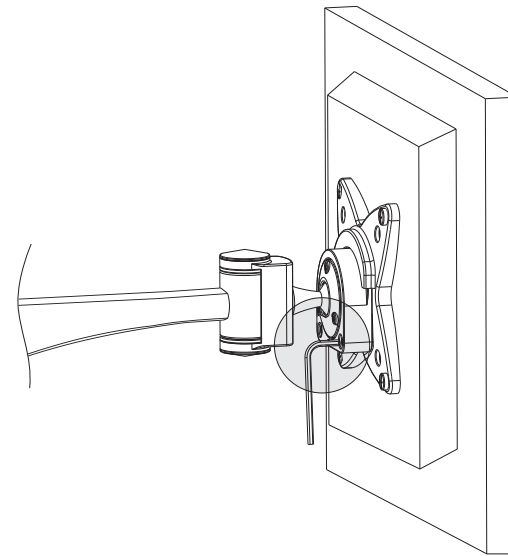
## 4. Install the Displays



Lift your display carefully and hook the VESA plate onto the mounted head.



Insert two screws into mounting holes for each adapter bracket.



Tighten all screws using 4mm Allen key.