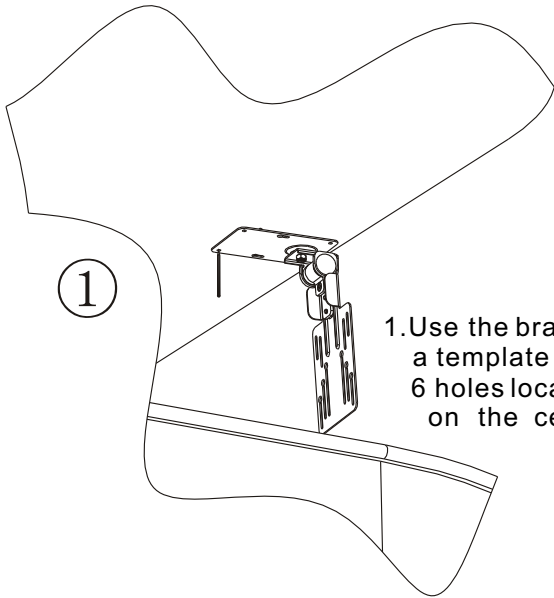
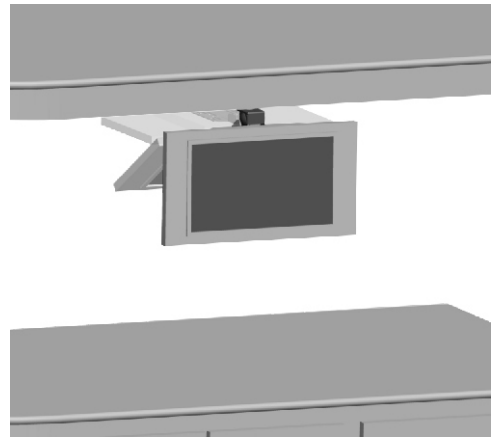


LCD-CM Installation Guide

VESA 50/75/100mm

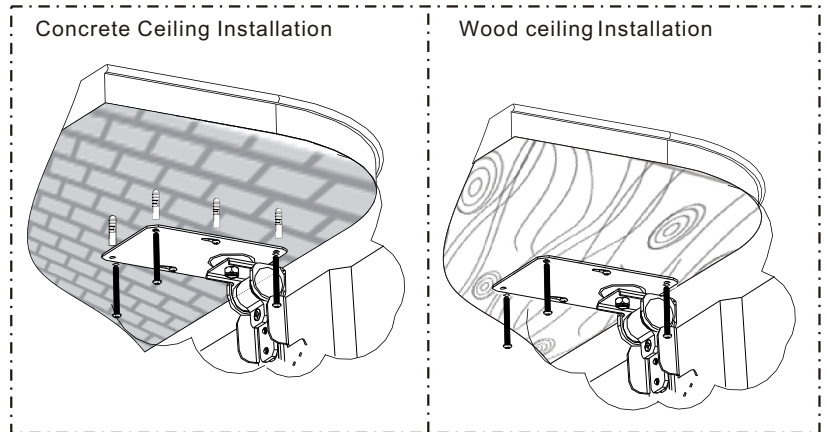


8kg/18lbs



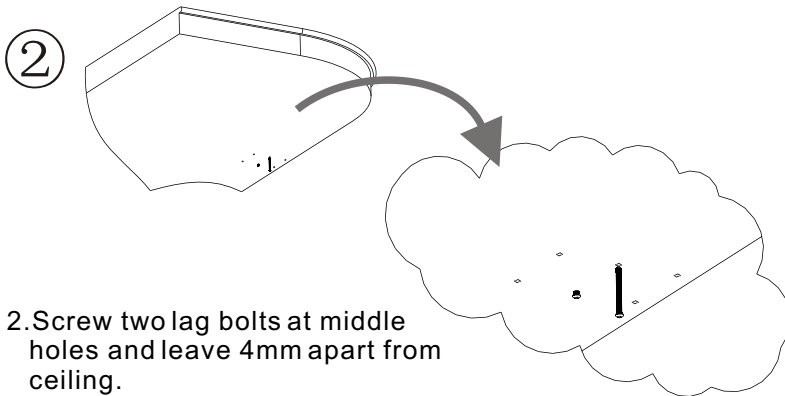
①

1. Use the bracket as a template to mark 6 holes locations on the ceiling.



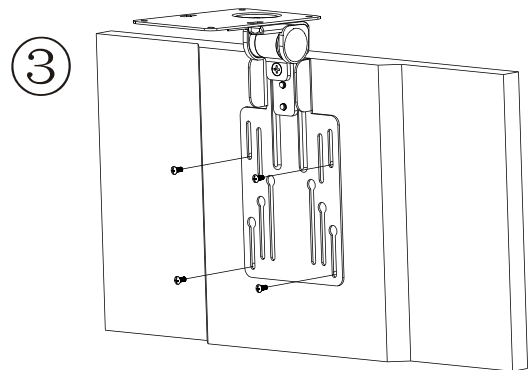
Concrete Ceiling Installation

Wood ceiling Installation



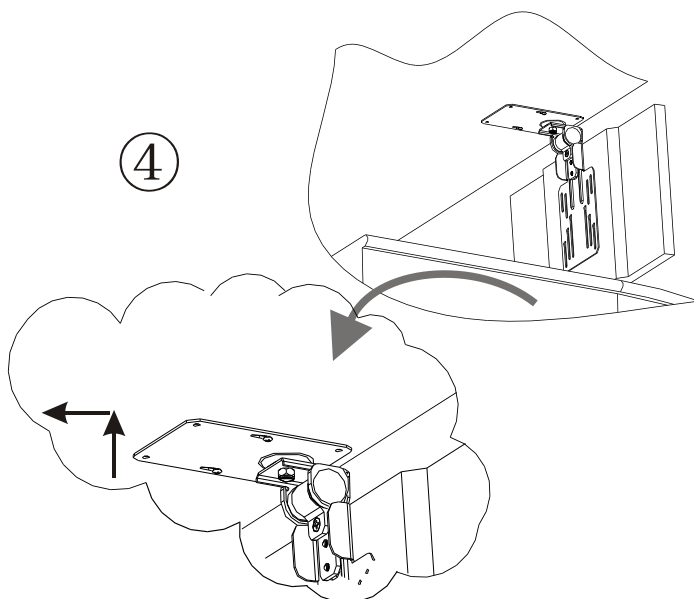
②

2. Screw two lag bolts at middle holes and leave 4mm apart from ceiling.



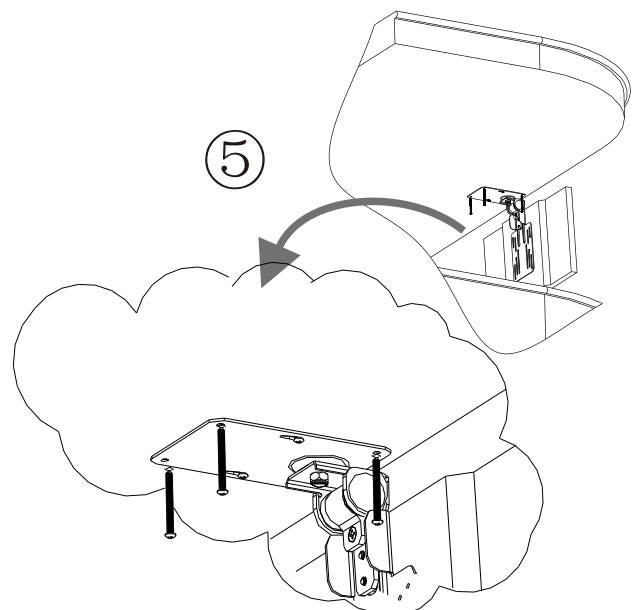
③

3. Attach the TV with supplied screws.



④

4. Attach the bracket to the ceiling.



⑤

5. Tighten all the other lag bolts.