

Under-cabinet / Ceiling Mount

4. Attach the Display to the VESA Plate

✓

Lift the display and match the holes on your display with the hole on the mount. Secure your display to the mount by tightening screws.

⚠ Tighten all screws but do not over tighten.

M-A
M-B
M-C

5. Adjustment

360°

0° ~ 110°

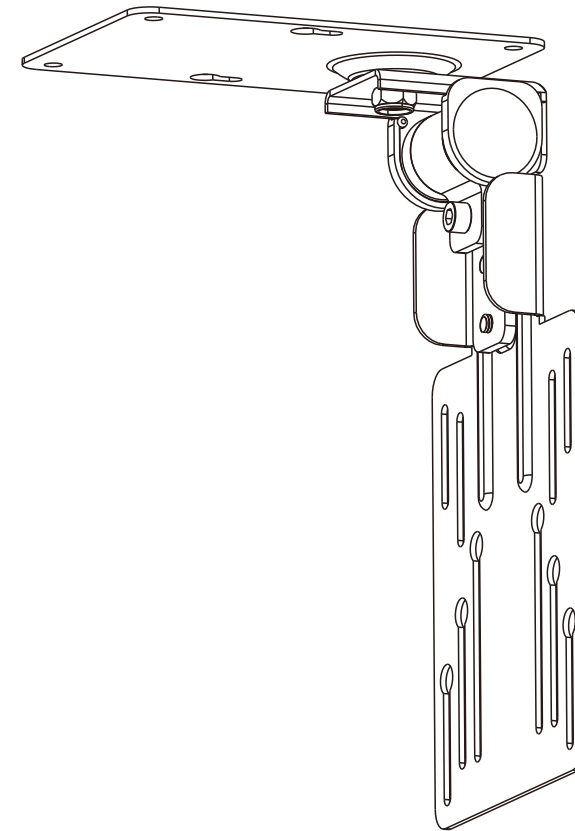
B

Adjust to desired location.

For saving the space, you can fold display by pushing display back until it fits in place.

Maintenance

- Check that the bracket is secure and safe to use at regular intervals(at least every three months).
- Please contact your dealer if you have any questions.



CAUTION: DO NOT EXCEED MAXIMUM LISTED WEIGHT CAPACITY. SERIOUS INJURY OR PROPERTY DAMAGE MAY OCCUR!

PID 5754



ISSUED: NOV. 2012

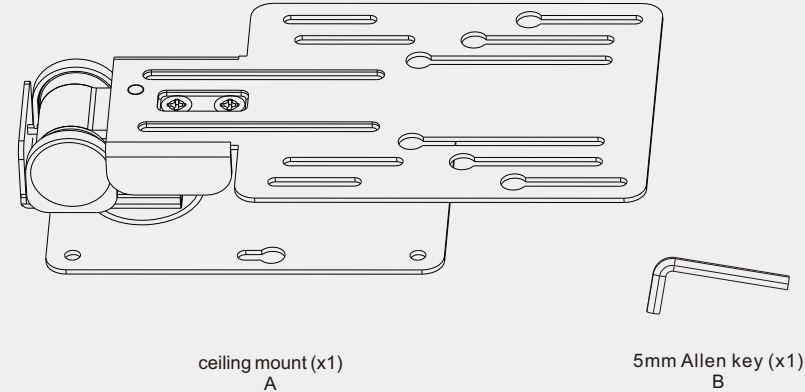
NOTE: Read the entire instruction manual before you start installation and assembly.

WARNING

- Do not begin the installation until you have read and understood the instructions and warnings contained in this installation sheet. If you have any question regarding any of the instruction or warning, please contact your local distributor.
- This mounting bracket was designed to be installed and utilized **ONLY** as specified in this manual. Improper installation of this product may cause damage or serious injury.
- This product should only be installed by someone of good mechanical ability, with basic building experiences and fully understanding of this manual.
- Make sure that the supporting surface will safely support the combined load of the equipment and all attached hardware and components.
- Always use assistant or mechanical lifting equipment to safely lift and position equipment.
- Tighten screws firmly, but do not over tighten. Over tightening can damage the items, greatly reducing their holding power.
- This product is intended for indoor use only. Using this product outdoors could lead to product failure and personal injury.

Component Checklist

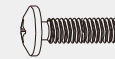
IMPORTANT: Ensure that you have received all parts according to the component checklist prior to installing. If any parts are missing or faulty, telephone your local distributor for a replacement.



Package M



M4x14 (x4)
M-A

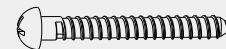


M5x14 (x4)
M-B



D5 washer (x4)
M-C

Package W

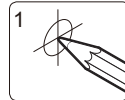
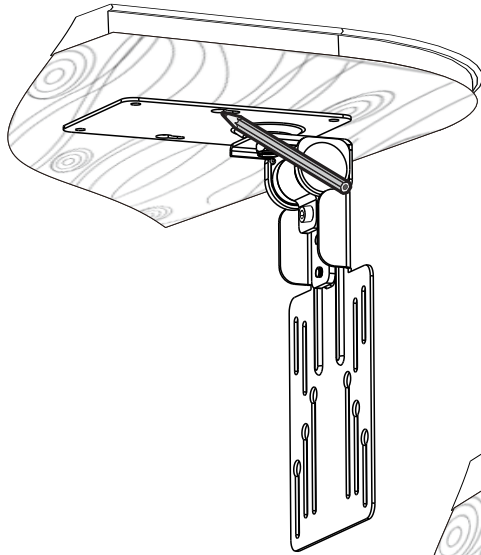
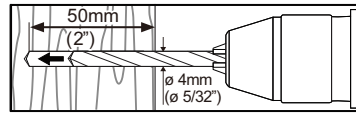


ST5.5x50 (x6)
W-A

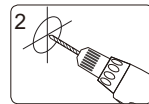
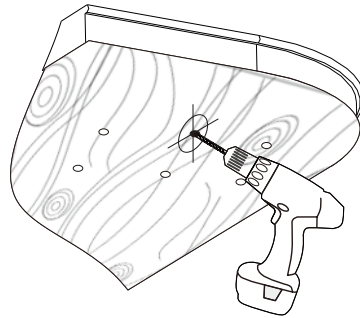


concrete anchor (x6)
W-B

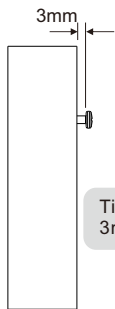
3a. Mount on Wooden Ceiling



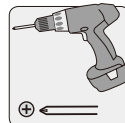
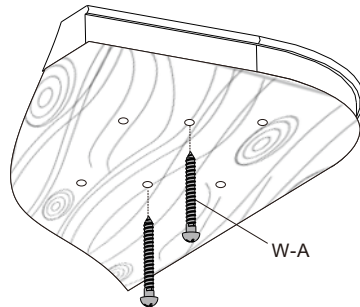
1
Find and mark the exact location of mounting holes.



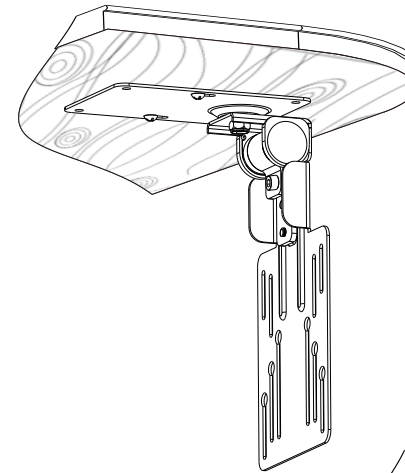
2
Drill pilot holes



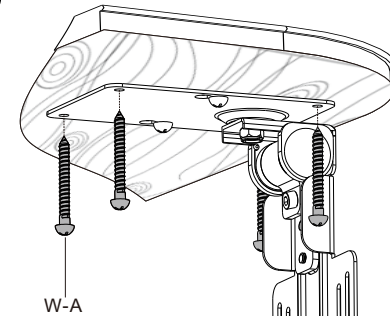
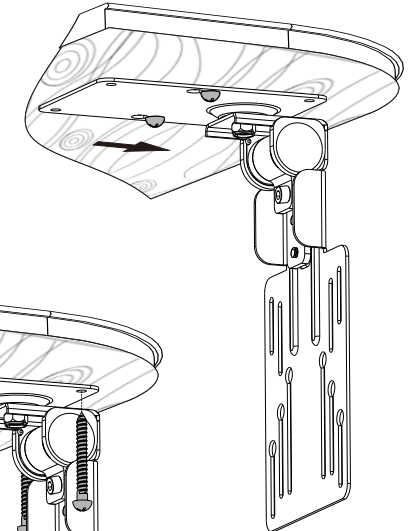
Tighten the screws spacing 3mm to ceiling.



Screw the screws into the ceiling



Align both holes of ceiling plate to screws in ceiling and move the ceiling plate until both screws are seated in small area of tear-drop mounting holes.

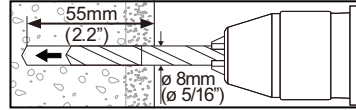


Fix the ceiling plate using the four other screws and then tighten all screws.

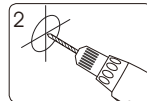
WARNING

- Installers are responsible to provide hardware for other types of mounting situations.
- Installers must verify that the supporting surface will safely support the combined load of the equipment and all attached hardware and components.

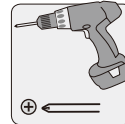
3b. Mount on Solid Brick and Concrete Block



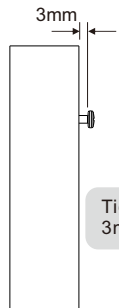
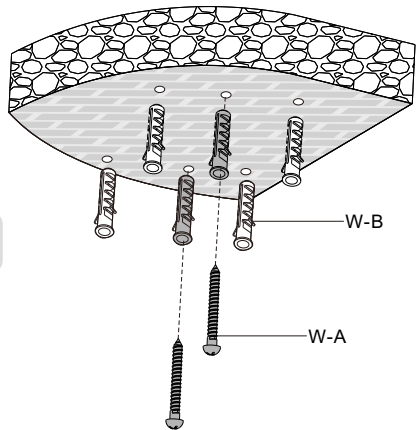
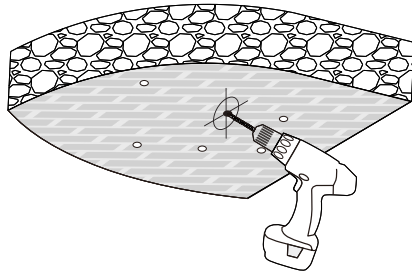
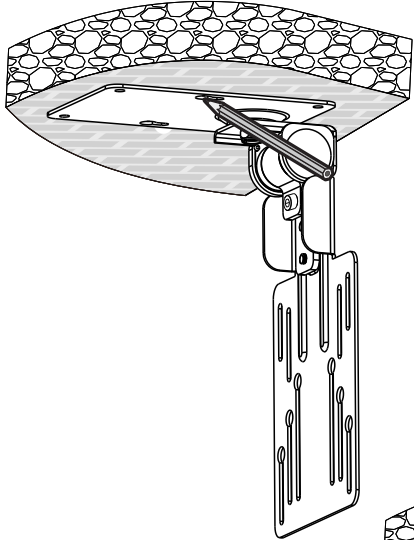
1
Mark the exact location of mounting holes



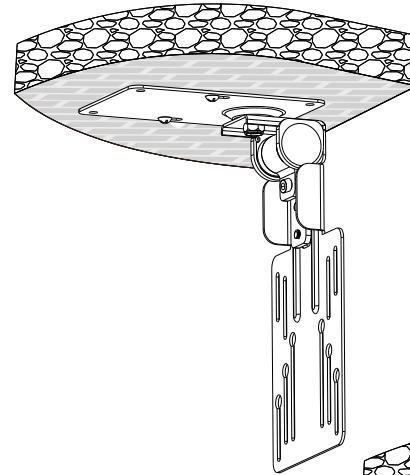
2
Drill pilot holes



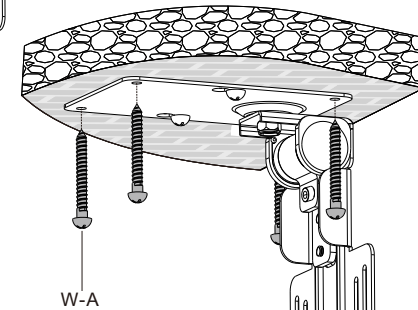
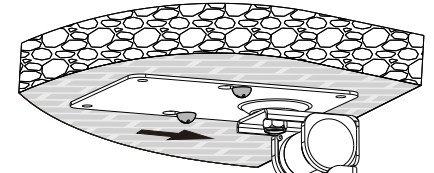
Screw the screws into the ceiling



Tighten the screws spacing 3mm to ceiling.



Align both holes of ceiling plate to screws in ceiling and move the ceiling plate until both screws are seated in small area of tear-drop mounting holes.



Fix the ceiling plate using the four other screws and then tighten all screws.

⚠ WARNING

- When installing ceiling mounts on cinder block, verify the actual concrete thickness is at least 1-3/8" (35mm) for using the concrete anchors. Do not drill into mortar joints! Be sure to mount in a solid part of the block, generally 1" (25mm) minimum from the side of the block. It is suggested electric drill on slow setting is used to drill the hole instead of a hammer drill to avoid breaking out the back of the hole when entering a void or cavity.
- Installers must verify that the supporting surface will safely support the combined load of the equipment and all attached hardware and components.