

# INSTALLATION GUIDE

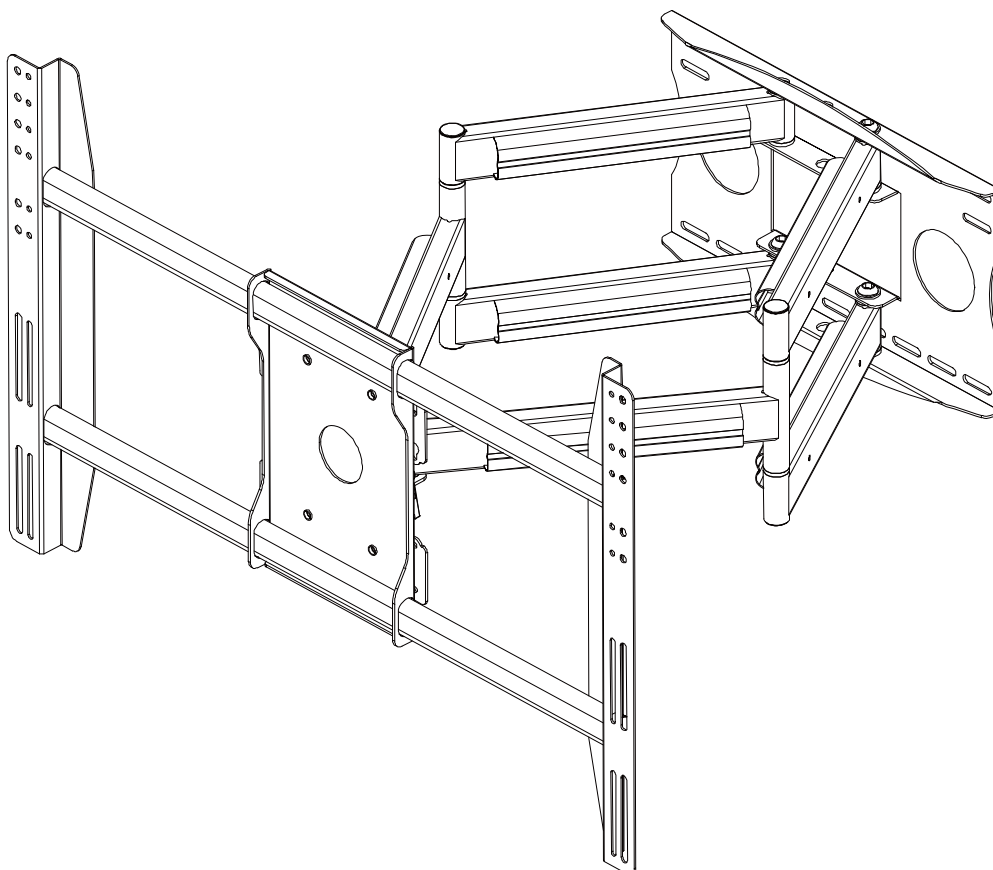
## Flat Panel Arm Mount

### MHA-800

Support 42" to 63" Screens

Max Load Capacity: 200 lbs (91 kg)

**VESA 500x800 compatible**



## **⚠ WARNING**

- Be sure to read this entire manual thoroughly and you fully understand all the instructions and warning before attempting to begin your installation.
- This product should only be installed by someone who has a basic knowledge of buiding construction,installations and fully understands these instructions.
- Make sure that the supporting surface will safely support the combined load of the mount, the display and all attached hardware and components.
- This wall bracket will only supporting flat panel displays(LCD,Plasma).The maximum load capacity is 200 pounds.
- If mounting to a wall of wood stud construction, be sure that mounting bolt are anchored to the center of the studs.
- Always have someone assist you to lift and position your equipment.
- Tighten screws and bolts firmly, but do not over tighten. Over tightening can damage the items and greatly reduce their ability to hold. Please refer to suggested torque values where applicable in these instructions.

### **Tools Needed for Assembly**

- stud finder ("edge to edge" stud finder is recommended)
- phillips screwdriver
- $\phi 6.0$  drill bit and  $\phi 10.0$  masonry drill bits

### **Table of Contents**

---

Parts List .....	3
Installation to Wood Stud Wall .....	4
Installation to Solid Concrete and Cinder Block .....	5
Mounting the Attaching adapter plate to Screen .....	6、 7
Tilt Adjustment and Cord Covers .....	8

Before you begin, make sure all parts shown are included with your product.

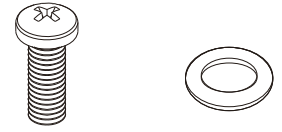
Parts may appear slightly different than illustrated.

### Parts List

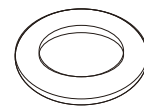
#### Description

<b>A</b>	philips / washer	4	M6x12 / 6x13x1.2
<b>B</b>	washer	4	8.2x1.5x16
<b>C</b>	washer	6	8.2x2.0x16
<b>D</b>	philips pan head screw	4	M5x16
<b>E</b>	philips pan head screw	4	M5x30
<b>F</b>	philips pan head screw	4	M6x16
<b>G</b>	philips pan head screw	4	M6x30
<b>H</b>	philips pan head screw	4	M8x45
<b>I</b>	allen cap screw	4	M8x15
<b>J</b>	square spacer	4	25.65x25.65x2.5
<b>K</b>	spacer ( 1.2. )	4	19x8.2x19.6 / 12.7x6.0x12.7
<b>L</b>	allen wrench	1	M5
<b>M</b>	concrete anchor	6	M8x50
<b>N</b>	hex bolt screw	6	M8x70

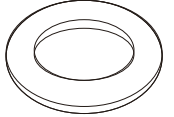
**A**



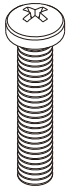
**B**



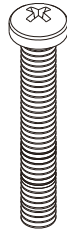
**C**



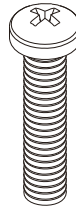
**D**



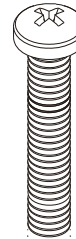
**E**



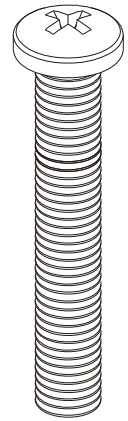
**F**



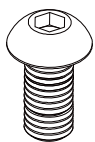
**G**



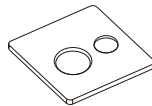
**H**



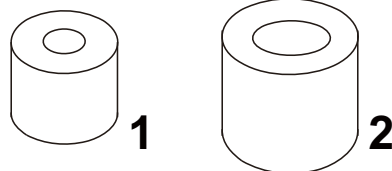
**I**



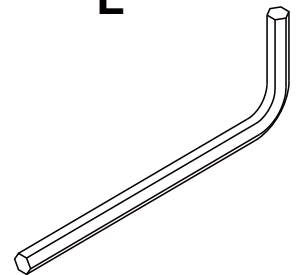
**J**



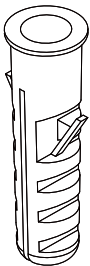
**K**



**L**



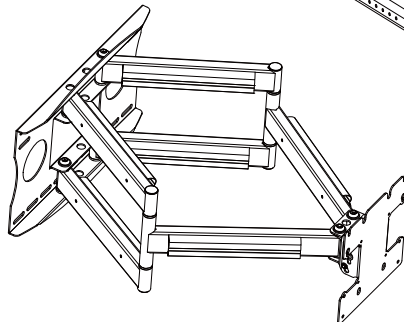
**M**



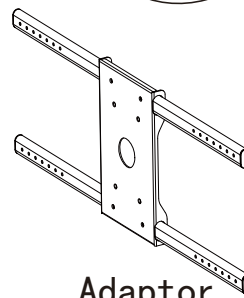
**N**



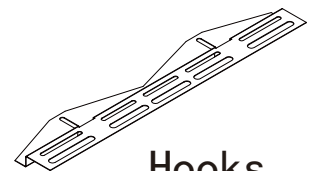
**AA(mount)**



**Adaptor**



**Hooks**



## Installation to Wood Stud Wall

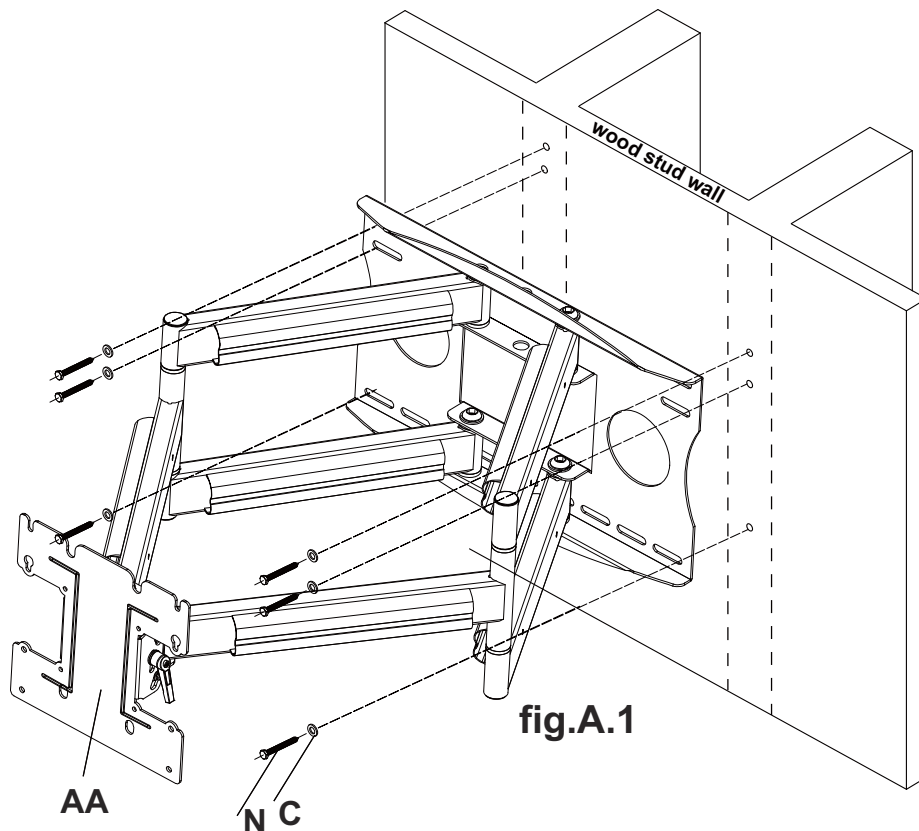
### ⚠ WARNING

- Make sure that the supporting surface will safely support the combined load of the equipment and all attached hardware and components.

**A** Wall arm assembly (**AA**) must be mounted onto two wooden studs, with center to center distances more than 12". Using a stud finder, locate and mark the edges of the wood stud used in mounting this product. Use of an edge to edge stud finder is highly recommended. Use a level to draw two vertical lines down the center of the stud. Use wall arm assembly (**AA**) as template to mark center of holes along the vertical line. Make sure the correct direction about installation of the wall arm assembly. Drill six 6 mm (1/4") dia. holes 3.3" deep. Attach wall arm assembly (**AA**) to wall using six hex head screws (**N**) and six washers (**C**) as shown in **fig. A.1**

### ⚠ WARNING

- Tighten screws so that double stud wall plate is firmly attached, but do not overtighten. Overtightening can damage the screws, greatly reducing their holding power.
- Make sure that mounting screws are anchored into the center of the studs. The use of an "edge to edge" stud finder is highly recommended.



## Installation to Solid Concrete and Cinder Block

### ⚠ WARNING

- When installing double stud wall plate on cinder block, verify that you have a minimum of 1-3/8" of actual concrete thickness in the hole to be used for the concrete anchors. Do not drill into mortar joints! Be sure to mount in a solid part of the block, generally 1" minimum from the side of the block. Cinder block must meet ASTM C-90 specifications. It is suggested that a standard electric drill on slow setting is used to drill the hole instead of a hammer drill to avoid breaking out the back of the hole when entering a void or cavity.
- Concrete must be 2000 psi density minimum. Lighter density concrete may not hold concrete anchor.
- Make sure that the supporting surface will safely support the combined load of the equipment and all attached hardware and components.

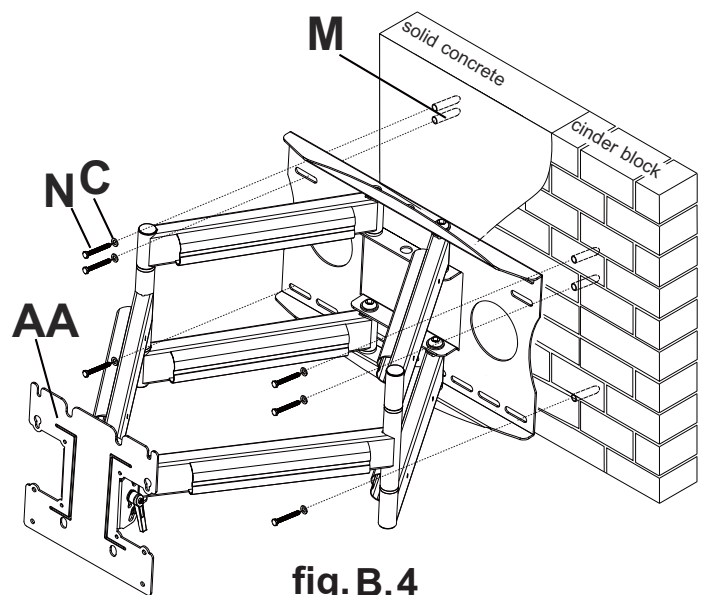
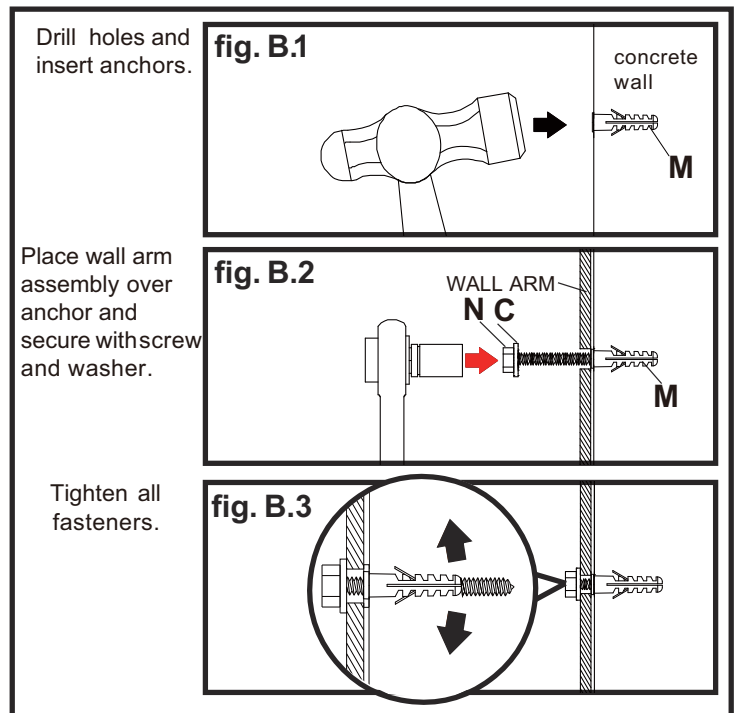
- B** Level and use wall arm assembly (AA) as template to mark center of holes, make sure the correct direction about installation of the wall arm assembly. Drill four 10 mm dia. holes to a minimum depth of 3.3". Insert six concrete anchors (M) in holes flush with wall as shown in **fig. B.1**. Place wall arm assembly (AA) over anchors and secure with six hex bolt head screws (N) and six washers (C) as shown in **fig. B.2** and **fig. B.4**. Make sure wall arm assembly is level, and tighten all fasteners see **fig. B.3**.

### ⚠ WARNING

- Tighten hex head bolts so that wall arm assembly is firmly attached, but do not overtighten. Overtightening can damage the screws, greatly reducing their holding power.

### ⚠ WARNING

- Concrete anchors are not intended for attachment to concrete wall covered with a layer of plaster, drywall, or other finishing material as shown below. If mounting to concrete wall covered with plaster/drywall is unavoidable, plaster/drywall (up to 5/8" thick) must be counterbored as shown below. Be sure concrete anchors do not pull away from concrete when tightening screws. If plaster/drywall is thicker than 5/8", custom fasteners must be supplied by the installer.



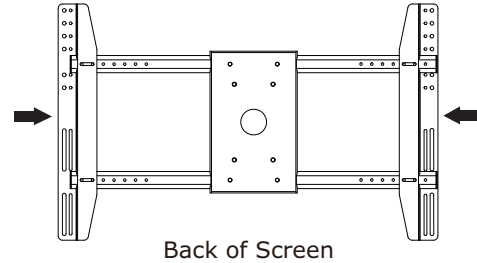
## C Mounting the Assembly Adapter Plate to screen

### Modify the Adapter Plate

#### Adaptor Modify the Assembled Adapter Plate

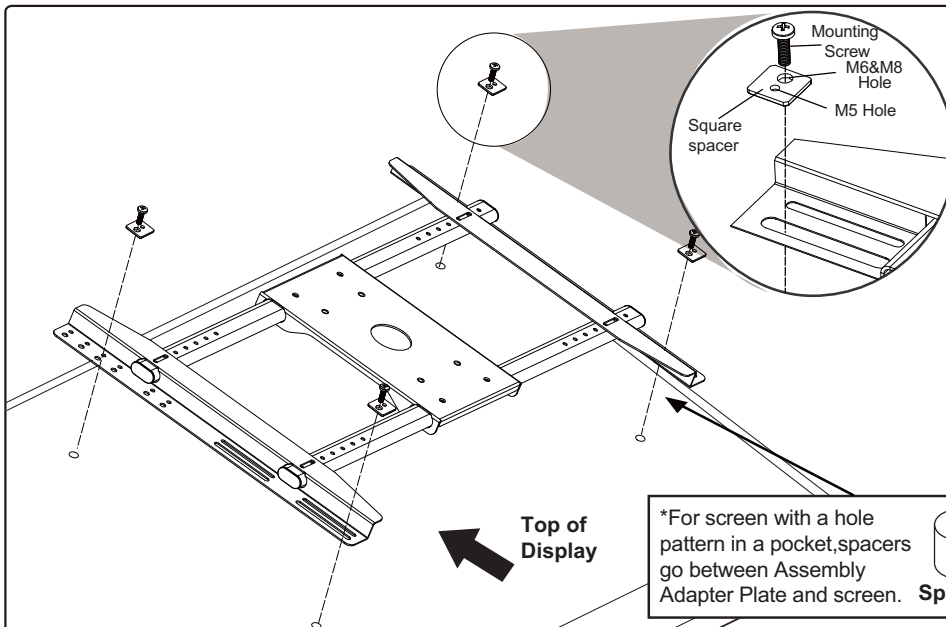
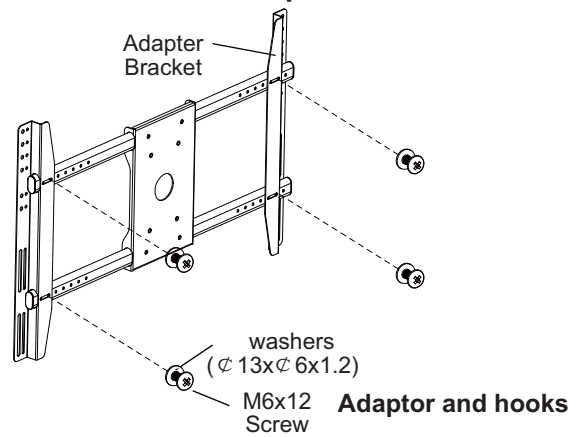
Slide the adapter brackets into Assembled adapter plate slightly. Place the Assembled Adapter Plate on the back of the display with one Adapter Bracket aligned with a set of vertical mounting holes. Then, slide the other Adapter Bracket in or out until it aligns with the second set of vertical mounting holes. The Adapter should be horizontally centered on the back of the flat panel display.

**Adaptor and hooks** Use four M6x12 screws and four washers and tighten it with Phillips Head Screw Driver.



Back of Screen

#### Adaptor and hooks



Note:

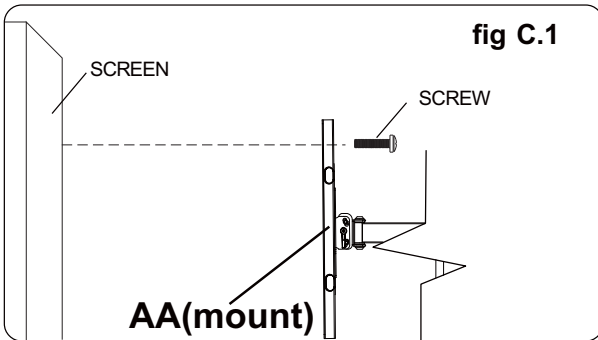
#### Recessed Mounting Holes.

If the mounting holes are recessed into the back of the display, use the supplied spacers to pack the recessed hole. If the mounting screw is M5&M6, use the Spacers 1.(K.1.) If the mounting screw is M8, use the Spacers 2.(K.2.) Ensure that the brackets are securely fixed to the display.

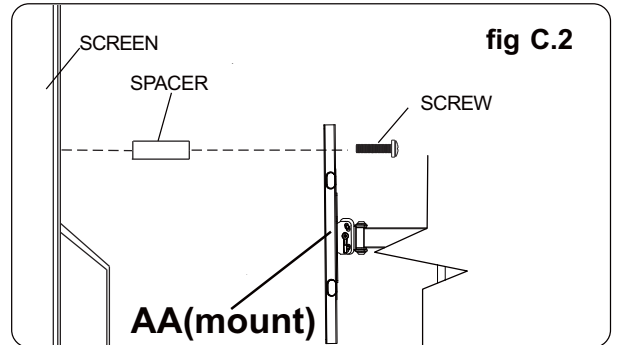
\*For screen with a hole pattern in a pocket, spacers go between Assembly Adapter Plate and screen. **Spacers**



## For Flat Back Screen



**OR**



Select the small, medium, large or extra large screws from the baffled .Fastener pack then attach screen brackets(AA) to screen following figure C.1 or C.2 on page 7.

### Attach Assembly Adapter Plate to Assembly Arm

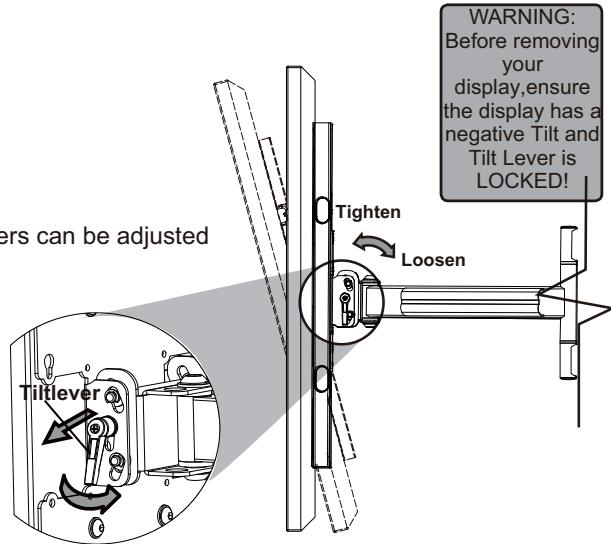
**NOTE:** This procedure will require two persons. Ensure that the arm is set to its maximum negative tilt prior to attaching the display

1. Insert two M8x15mm screws and two metal washers into swivel box on Assembly Adapter Plate as above shown. Leave approx. 1/4" of exposed thread.
2. Lift the display and hook it over the mounting head by lowering the exposed portion of the top screws down the open key slots.
3. Once in position, attach the bottom two M8x15mm screws and two washers to secure the display to the mounting head using M5mm Allen Wrench.

## D Tilt Adjustment and cord Covers

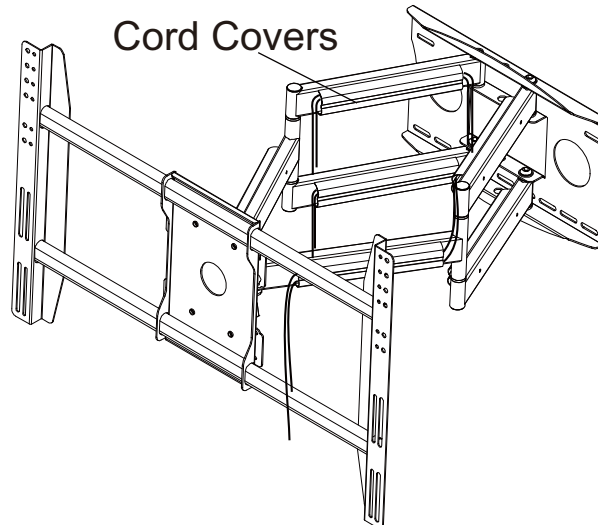
### Tilt Adjustment

1. Loosen Tilt levers (Only enough to allow controlled adjustment)
2. Adjust Tilt
3. Lock Tilt Levers (Tighten)
4. Once Tilt Levers are locked, the position of the levers can be adjusted without loosening or tightening the unit by pulling the levers outwards and then repositioning them to a vertical, less obtrusive position.



### Cord Covers

Install Cord Covers as shown.



**NOTE:** Be sure to leave enough slack to allow for movement of the arms.