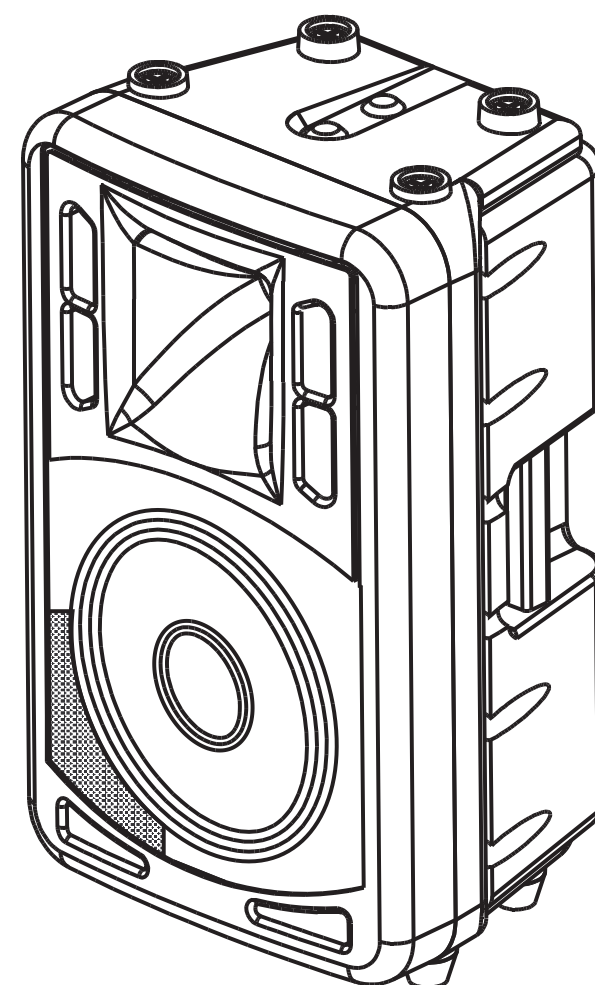


# **MONOPRICE**

## **PRO AUDIO SERIES**



**ABS PLASTIC ENCLOSURES**

**604470**

## Important Safety Instructions



This symbol, wherever used, alerts you to the presence of un-insulated and dangerous voltages within the product enclosure. These are voltages that may be sufficient to constitute the risk of electric shock or death.



This symbol, wherever used, alerts you to important operating and maintenance instructions.

Please read.



Protective Ground Terminal



AC mains (Alternating Current)



AC mains (Alternating Current)

**ON:** Denotes the product is turned on.

**OFF:** Denotes the product is turned off.

### WARNING

Describes precautions that should be observed to prevent the possibility of death or injury to the user.



### CAUTION

Describes precautions that should be observed to prevent damage to the product. Disposing of this product should not be placed in municipal waste but rather in a separate collection.

### WARNING

#### Power Supply

Ensure that the source voltage (AC outlet) matches the voltage rating of the product. Failure to do so could result in damage to the product and possibly the user. Unplug the product before electrical storms occur and when unused for long periods of time to reduce the risk of electric shock or fire.

#### External Connection

Always use proper ready-made insulated mains cabling (power cord). Failure to do so could result in shock/death or fire. If in doubt, seek advice from a registered electrician.

#### Do Not Remove Any Covers

Within the product are areas where high voltages may be present. To reduce the risk of electric shock do not remove any covers unless the AC mains power cord is removed. Covers should be removed by qualified service personnel only.

No user serviceable parts inside.

#### Fuse

To prevent fire and damage to the product, use only the recommended fuse type as indicated in this manual. Do not short-circuit the fuse holder. Before replacing the fuse, make sure that the product is OFF and disconnected from the AC outlet.

### Protective Ground

Before turning the unit ON, make sure that it is connected to Ground. This is to prevent the risk of electric shock. Never cut internal or external Ground wires. Likewise, never remove Ground wiring from the Protective Ground Terminal.

### Operating Conditions

Always install in accordance with the manufacturer's instructions.

To avoid the risk of electric shock and damage, do not subject this product to any liquid/rain or moisture. Do not use this product when in close proximity to water.

Do not install this product near any direct heat source. Do not block areas of ventilation. Failure to do so could result in fire.

Keep product away from naked flames.

### IMPORTANT SAFETY INSTRUCTIONS

Read these instructions

Follow all instructions

Keep these instructions. Do not discard.

Heed all warnings.

Only use attachments/ accessories specified by the manufacturer.

### Power Cord and Plug

Do not tamper with the power cord or plug. These are designed for your safety.

Do not remove Ground connections!

If the plug does not fit your AC out let seek advice from a qualified electrician.

Protect the power cord and plug from any physical stress to avoid risk of electric shock.

Do not place heavy objects on the power cord. This could cause electric shock or fire.

### Cleaning

When required, either blow off dust from the product or use a dry cloth.

Do not use any solvents such as Benzol or Alcohol. For safety, keep product clean and free from dust.

### Servicing

Refer all servicing to qualified service personnel only.

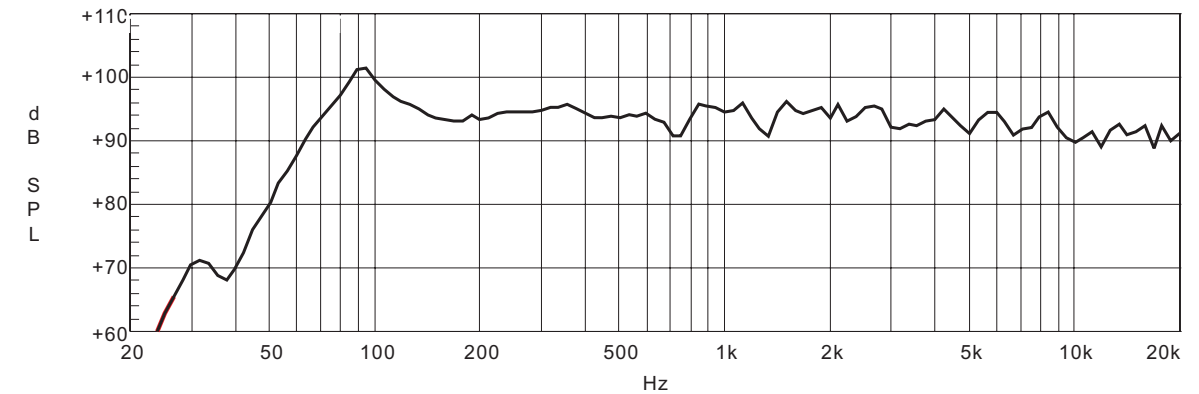
Do not perform any servicing other than those instructions contained within the User's Manual.

### PORTABLE CART WARNING



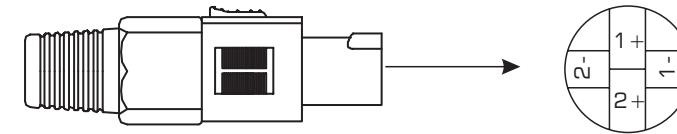
Carts and stands - The component should be used only with a cart or stand that is recommended by the manufacturer. A component and cart combination should be moved with care. Quick stops, excessive force, and uneven surfaces may cause the component and cart combination to overturn.

## Frequency Response Diagram



## Wire Connections

This speaker uses twist-type NL4 panel connectors for the speaker signal input. These connectors can accept 2-conductor or 4-conductor NL4F speaker cables, but only 2 conductors are used (+1/-1). They can also accept 2-conductor NL2F cables, but these are much less common.



The Monoprice 2-conductor NL4F cables (PIDs 8768, 8769, 8770, 8771, 601500, & 601550) are perfectly suited for use with this speaker.

## TECHNICAL SPECIFICATIONS

Model	<b>604470</b>
System Type	2-Way Vented Passive Speaker Cabinet
Program Power	500 Watts
Peak Power	1000 Watts
Speaker Sensitivity (1W.1m)	97 dB/126 dB Max
Frequency Response	50Hz~20kHz(-10dB)
Crossover Frequency	3.3KHz
Protection	PTC Protection For HF
Impedance	8 Ohms
Transducer Low	15"(385mm)-2" Voice Coil with ventilation
Transducer Driver	1"Exit Driver .1.4"Compression Driver
Connectors	2x NL4 twist connectors (+1/-1)
Enclosure	ABS cabinet with rubber feet and metal grill.
Dimensions (H x W x D)	28.0" x 17.7" x 18.5" (710 x 450 x 470 mm)
Net Weight	37.3 lbs. (16.9 Kg)
Volume	5.3 cubic feet (0.15 cubic meters)

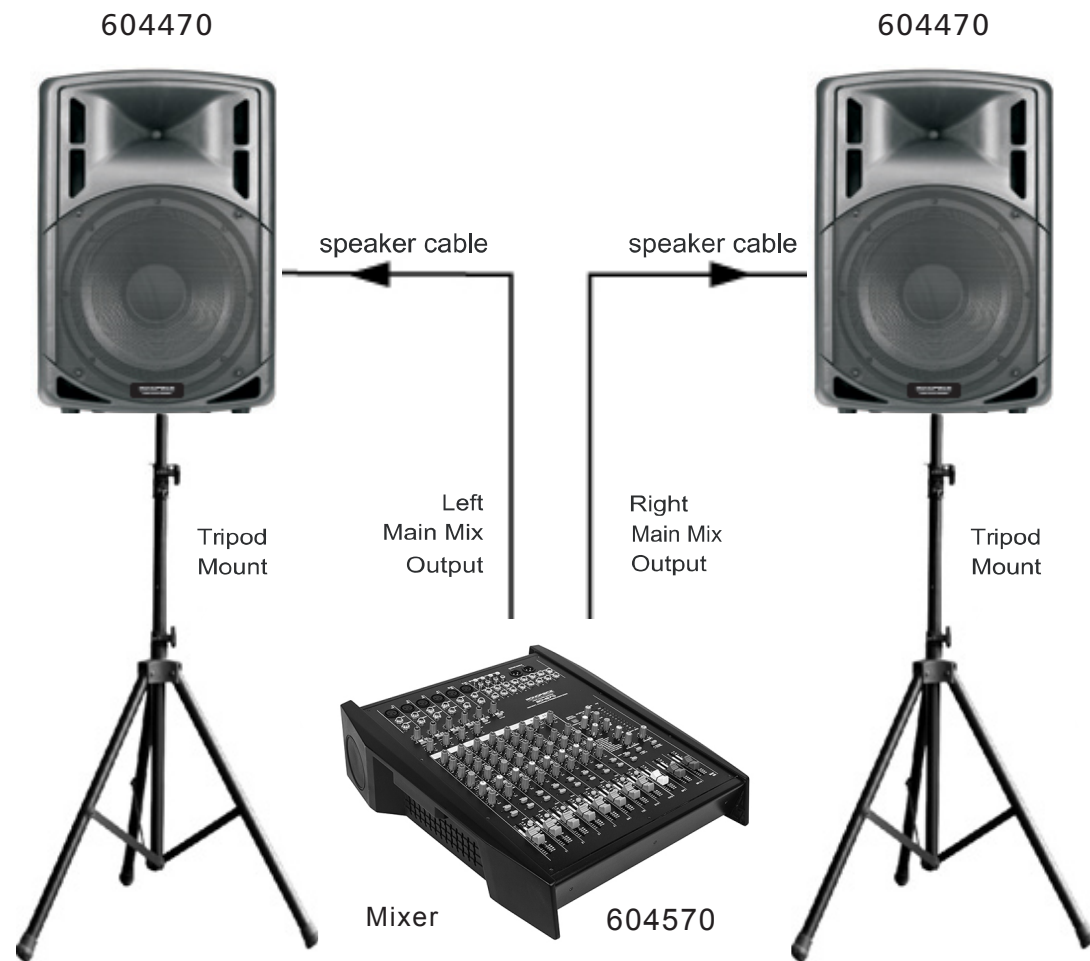


# 5 Connection Plate

Make your initial connections with all the equipment powered off, and ensure that all the main volume controls are turned completely down.

### For Passive Full-range Speaker Cabinet

- 1) Connect one side of the speaker cable to the Output of your stereo power amplifier and the other side to the input socket of your speaker cabinet.
- 2) Complete other connections as illustrated.
- 3) Turn on your mixer first, then the stereo power amplifier.
- 4) Turn up the volume controls of your amplifier to about 70%.
- 5) Use PFL function to get the proper input level for the mixer, and adjust the Main Mix Level control to manipulate the output level.
- 6) After using, turn off your stereo power amplifier first, then the mixer.



## Table of Contents

1. INTRODUCTION.....	4
2. USEFUL TIPS .....	4
3. USEFUL DATA .....	4
4. BACK PANEL DESCRIPTION .....	5
5. CONNECTION PLATE.....	6
6. FREQUENCY RESPONSE DIAGRAM.....	7
7. WIRE CONNECTIONS .....	7
8. TECHNICAL SPECIFICATIONS .....	7

# 1 Introduction

Thank you for choosing **MONOPRICE**. The 604470 cabinets have been designed to provide a cost effective high grade solution while maintaining high quality cabinet construction and optimum components.

These speakers can be used for all types of applications including, but not limited to, churches, conference halls, and dance clubs. The woofer and neodymium driver combination provides excellent performance rivaling that of much more expensive cabinets.

**Please Note:** The Monoprice 604470 are passive speakers; meaning they require amplification via a separate power amplifier.

# 2 Useful Tips

- \* Speakers should be placed in a position that allows for unobstructed sound projection. In many cases, it is beneficial to use elevated tripod stands to achieve the maximum sound dispersion and reach. Consider the Monoprice PA Speaker Stands (PID602350).
- \* Use professional advice or service when hanging and installing speakers. Please take all precaution to secure them to prevent them from falling and hurting someone, damaging the cabinet, or damaging other components. Please comply with all applicable safety regulations.
- \* Use high quality twist type (NL4) speaker cables, such as the Monoprice NL4 Speaker Twist Cables (PIDs 8768, 8769, 8770, 8771, 601500, and 601550).
- \* For best results use a high quality amplifier with power and impedance that match the characteristics of the speakers (see Technical Specifications). If you cannot find an amplifier that exactly matches the speaker's power handling capabilities, it is better to use an amplifier with more power than one with less and risk clipping the signal, which can cause serious damage to the speaker.
- \* Avoid positioning a microphone directly in front of the speakers or otherwise positioned so that it feeds back into the system. Excessive feedback can damage both the speaker and your hearing.

# 3 Useful Data

Please write your serial number here for future reference.

Serial Number:

Date of Purchase:

Purchased at:

# Panel Description

This speaker features two NL4 Twist Type Speaker connectors. These connectors are wired to use only the +1/-1 lines, with the +2/-2 line left unconnected). They will accept 2-conductor NL4 cables, 4-conductor NL4 cables (ignoring the +2/-2 conductors), and 2-conductor NL2 cables. For best results, use cables with 10AWG, 12AWG, or 14AWG conductors, depending on distance (thicker conductors are better for longer distances).

The first connector is intended as the main input from the amplifier, while the other is an output to allow the addition of a second speaker in parallel. This second speaker will be in parallel with the first, which reduces the overall speaker impedance to 4 ohms. Ensure that your amplifier is capable of driving a 4-ohm load before attempting to connect a pair of speakers in parallel.



# 4