

INDIO

Electric Guitar Amp

P/N 611710

Quick User's Guide

SAFETY WARNINGS AND GUIDELINES

Please read this entire manual before using this device, paying extra attention to these safety warnings and guidelines. Please keep this manual in a safe place for future reference.

- This device is intended for indoor use only.
- Do not expose this device to water or moisture of any kind. Do not place drinks or other containers with moisture on or near the device. If moisture does get in or on the device, immediately unplug it from the power outlet/remove the batteries and allow it to fully dry before reapplying power.
- Do not expose this device to excessively high temperatures. Do not place it in, on, or near heat sources, such as a fireplace, stove, radiator, etc. Do not leave it in direct sunlight.
- Unplug this device from the power source when not in use.
- Remove the batteries if it will go unused for a lengthy period of time.
- Clean using a soft, dry cloth only. Do not use chemical cleaners, solvents, or detergents. For stubborn deposits, moisten the cloth with warm water.
- This device has no user serviceable parts. Do not attempt to open, service, or modify this device.

PACKAGE CONTENTS

Please take an inventory of the package contents to ensure you have all the items listed below. If anything is missing or damaged, please contact Monoprice Customer Service for a replacement.

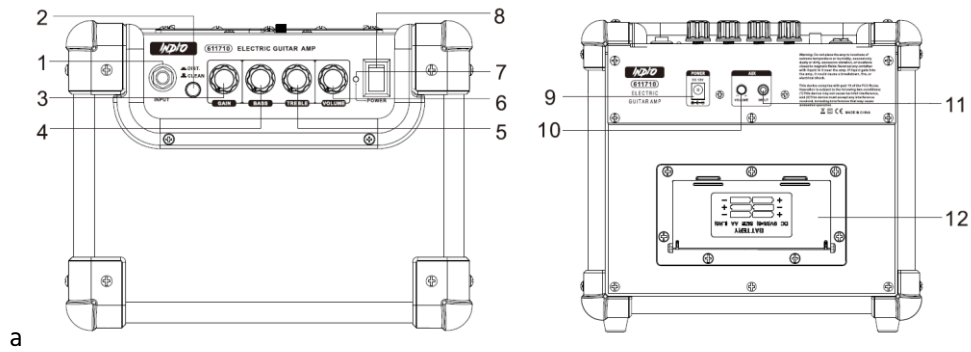
1x Electric guitar amp

1x. AC power adapter

1x 3.5mm audio cable

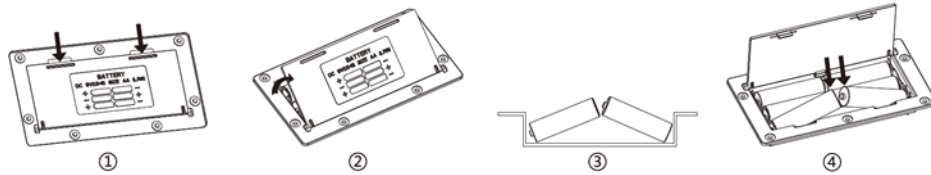
1x Quick user guide

PRODUCT OVERVIEW



- 1. 1/4" TS Guitar Input
- 2. Distortion/Clean Tone Button
- 3. Gain Knob
- 4. Bass Knob
- 5. Treble Knob
- 6. Volume Knob
- 7. Power LED Indicator
- 8. Power Switch
- 9. AC Adapter Input
- 10. AUX Volume Knob
- 11. 3.5mm TRS AUX Input
- 12. Battery Compartment

BATTERY INSTALLATION



1. Press the tabs on the edge of the battery compartment cover.
2. Remove the battery compartment cover.
3. Insert 6x AAA batteries (not included) into the compartment, taking care to match the polarities with the markings inside the compartment.
4. Replace the battery compartment cover.

SPECIFICATIONS

Model	611710
Speaker Type	5" cone
Power Output	10 watts
Power Source	6x AAA batteries or AC power adapter (included)
Dimensions	9.4" x 7.0" x 8.8" (238 x 179 x 224 mm)

Weight	6.0 lbs. (2.75 kg)
--------	--------------------