

STAGE RIGHT

60-Watt COB LED Ellipsoidal Stage Light with Manual Zoom



P/N 612756

User's Manual

CONTENTS

- SAFETY WARNINGS AND GUIDELINES 3
 - Power 3
 - Environment 3
 - Maintenance 4
- INTRODUCTION 4
- FEATURES 5
- CUSTOMER SERVICE 5
- PACKAGE CONTENTS 6
- MENU DISPLAY AND CONTROLS 6
- DMX CONTROL 7
- MASTER/SLAVE MODE 7
- DIMMING AND STROBE CONTROL 8
 - Dimmer Mode 8
 - Strobe Mode 8
- MANUAL CONTROL 9
 - Shutters 9
 - Focus 9
 - Zoom 9
- TECHNICAL SUPPORT 10
- SPECIFICATIONS 10
- REGULATORY COMPLIANCE 11
 - Notice for FCC 11
 - Notice for Industry Canada 11

SAFETY WARNINGS AND GUIDELINES

Power

- Use this light fixture with a constant voltage power supply only. Using it with a dimmer can result in unexpected operation and damage to the fixture.
- Unplug this device from the power source when not in use.
- Prior to operation, check the unit and power cord for physical damage. Do not use if physical damage has occurred.
- Before plugging the unit into a power outlet, ensure that the outlet provides the same type and level of power required by the device.
- This device uses a grounded power cord and requires a ground connection for safe operation. Ensure that the power source has a proper ground connection. Do not modify the plug or use a "cheater" plug to bypass the ground connection.
- Do not allow the power cord to be crimped, pinched, stepped on, etc. Ensure that the power cord does not present a tripping hazard.
- Never unplug the unit by pulling on the power cord. Always grasp the connector head.
- Ensure that power is turned off and disconnected before making any electrical connections.

Environment

- Avoid direct eye exposure to the light from this device.
- When installing this device, ensure that the mount is sufficiently robust to support the weight of the unit and to prevent unwanted movement.
- Do not subject the product to extreme force, shock, or fluctuations in temperature or humidity.
- This device is intended for indoor use only.

- Do not expose this device to rain, water, or moisture of any kind. Do not use in extremely dusty environments. Do not touch the device or power cord with wet hands.
- When installing this device, ensure that there are no flammable materials within about 8 feet above and on all sides. Ensure that there is at least 2 feet of clearance between the unit and any walls.
- This device ventilates excessive heat through the slots and openings in the case. Do not block or cover these openings. Ensure that the device is in an open area where it can get sufficient airflow to keep from overheating.

Maintenance

- Clean using a soft, dry cloth only. Do not use chemical cleaners, solvents, or detergents. For stubborn deposits, moisten the cloth with warm water.
- Keep away from corrosive materials.
- Keep the original packaging material for use when transporting the device.
- This device has no user serviceable parts. Do not attempt to open, service, or modify this device.

INTRODUCTION

Thank you for purchasing this LED stage light!

This light fixture features a single, 60-watt 3200K white LED and a 13°-35° adjustable beam angle. It allows for manual control over the beam size, using four independently adjustable shutters, focus, and zoom, as well as 3-channel DMX512 control for the dimmers and built-in programs. It includes built in Strobe, Fade, and Auto programs and can be configured as a DMX Slave light.

FEATURES

- 60-watt 3200K white LED
- Produces up to 3300 Lux at 2 meters
- 13°-35° adjustable beam angle
- Adjustable beam size using four independently adjustable shutters
- Manual focus control
- Manual zoom control
- 3-channel DMX control
- Built-in Strobe, Fade, and Auto programs

CUSTOMER SERVICE

The Monoprice Customer Service department is dedicated to ensuring that your ordering, purchasing, and delivery experience is second to none. If you have any problem with your order, please give us an opportunity to make it right. You can contact a Monoprice Customer Service representative through the Live Chat link on our website www.monoprice.com during normal business hours (Mon-Fri: 5am-7pm PT, Sat-Sun: 9am-6pm PT) or via email at support@monoprice.com

PACKAGE CONTENTS

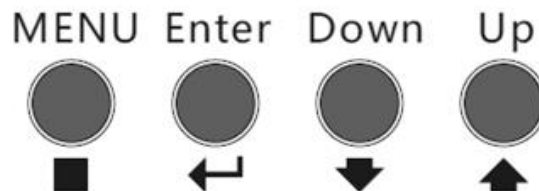
Please take an inventory of the package contents to ensure you have all the items listed below. If anything is missing or damaged, please contact Monoprice Customer Service for a replacement.

1x 60-Watt COB LED ellipsoidal light

1x AC power cord (NEMA 5-15P to IEC 60320 C13)

1x User's manual

MENU DISPLAY AND CONTROLS



MENU: Press the **MENU** button to cycle through the DMX512, Dimmer, Strobe, Fade, and Auto modes. After setting a value, press the **MENU** button to accept the setting.

Enter: Press the **Enter** button to edit the value for the display mode.

Down: Press the **Down** button to decrease the displayed value. Press and hold the button to rapidly decrease the displayed value.

Up: Press the **Up** button to increase the displayed value. Press and hold the button to rapidly increase the displayed value.

DMX CONTROL

A single light fixture can be connected to and controlled by a DMX512 controller. To use the light with a controller, repeatedly press the **MENU** button until **DMX512 [MODE]** is displayed, then press the **Enter** button to edit the value.

Use the **Up** and **Down** buttons to select a channel from **001-512**. Note that when you enter DMX512 mode, the built-in programs are disabled.

The nine channels control the following functions with the listed values:

Channel	Function	Value	Control
1	Dimmer	0-255	0-100% brightness
2	Strobe Speed	0-10	No effect
		11-255	Strobe speed 5-20Hz
3	Dimmer Speed	0-64	Real time
		65-128	Fast controlled response*
		129-192	Medium controlled response
		193-255	Slow controlled response

**The Fast controlled response option is recommended for use with less expensive DMX512 controllers.*

MASTER/SLAVE MODE

When using one of the built-in programs, the fixture is considered to be in Master mode. You can then daisy-chain additional fixtures configured as Slaves to perform the same actions as the Master.

To configure a fixture as a **Master**, set the light to any mode except DMX mode.

To configure a fixture as a **Slave**, enter DMX mode and set the channel to **001**.

Note that you cannot use a DMX controller when connecting multiple lights in Master/Slave mode.

DIMMING AND STROBE CONTROL

Dimmer Mode

The Dimmer function controls the light's brightness. To enter Dimmer Mode, press the **MENU** button repeatedly until **Dimmer [MODE]** is displayed, then press the **Enter** button to edit the value.

Use the **Up** and **Down** buttons to adjust the displayed value. The dimmer can be set to any value between **0** (off) and **4096** (maximum brightness).

Note that when Dimmer [MODE] is displayed, the light will not strobe.

When set to its highest value (4096), the light will produce the illumination levels and beam diameters at the listed distances.

Distance (m)	2	3	4	5	6
Lux at Center at 13°	3300	1400	820	508	345
Beam Diameter at 13° (cm)	50	75	110	125	160
Lux at Center at 35°	1490	685	400	295	230
Beam Diameter at 35° (cm)	85	115	150	180	215

Strobe Mode

To enter Strobe Mode, press the **MENU** button repeatedly until **Strobe [MODE]** is displayed, then press the **Enter** button to edit the displayed value.

Use the **Up** and **Down** buttons to adjust the displayed value. The strobe speed can be set to any value between **0** (5 flashes per second) and **12** (20 flashes per second). The light will continue to strobe as long as the display shows either **Strobe [xx]** or **Strobe [MODE]**, where xx is a value between 0 and 12.

MANUAL CONTROL

In addition to the DMX or built-in electronic controls, you can control the size of the light beam as well as its focus.

Shutters

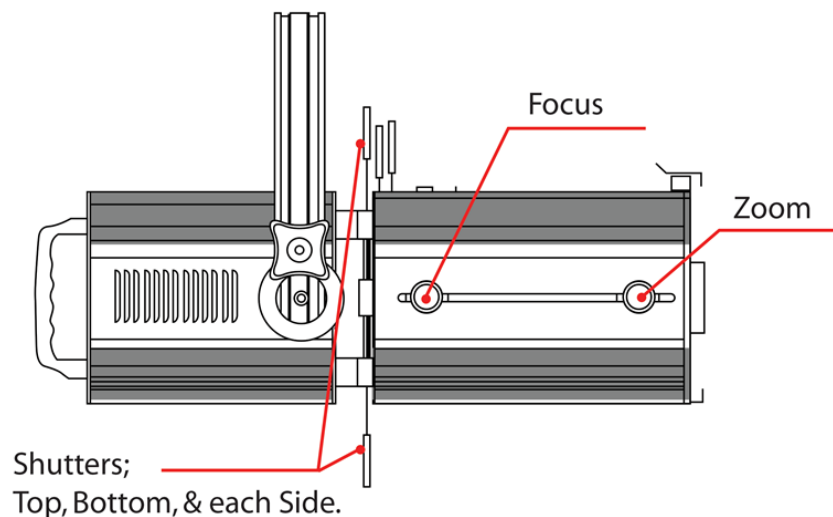
Four shutter levers are located on the top, bottom, and on each side. The shutters are used to crop the light from the opposite side of the fixture, so the top shutter crops the light beam from the bottom of the fixture, the bottom crops from the top, the left crops from the right, and the right crops from the left.

Focus

Loosen the knobs on the sides of the fixture closest to the middle to adjust the focus. Push the knobs forward or pull them backward to adjust the focus. When you are done adjusting focus, tighten the knobs to prevent accidental changes.

Zoom

Loosen the two knobs on the sides of the fixture closest to the end to adjust the zoom. Push the knobs forward to zoom in to tighten the beam to a minimum of 13° or pull them backward to get a wider beam to a maximum of 35°. When you are done adjusting zoom, tighten the knobs to prevent accidental changes.



TECHNICAL SUPPORT

Monoprice is pleased to provide free, live, online technical support to assist you with any questions you may have about installation, setup, troubleshooting, or product recommendations. If you ever need assistance with your new product, please come online to talk to one of our friendly and knowledgeable Tech Support Associates. Technical support is available through the online chat button on our website www.monoprice.com during regular business hours, 7 days a week. You can also get assistance through email by sending a message to tech@monoprice.com

SPECIFICATIONS

Model	612756
Light Source	1x 60-watt 3200K white LED
Minimum Beam Angle	13°
Maximum Beam Angle	35°
DMX Control	3-channels
DMX Input/Output	3-pin XLR input and pass-through output
Maximum Power Consumption	60 watts
Input Voltage	100 ~ 240 VAC, 50/60 Hz
Dimensions	13.8" x 7.1" x 6.3" (35 x 18 x 16 cm)
Weight	10.5 lbs. (4.8 kg)

REGULATORY COMPLIANCE

Notice for FCC



This device complies with Part 15 of the FCC rules. Operation is subject to the following two conditions: (1) this device may not cause harmful interference, and (2) this device must accept any interference received, including interference that may cause undesired operation.

Modifying the equipment without Monoprice's authorization may result in the equipment no longer complying with FCC requirements for Class B digital devices. In that event, your right to use the equipment may be limited by FCC regulations, and you may be required to correct any interference to radio or television communications at your own expense.

This equipment has been tested and found to comply with the limits for a Class B digital device, pursuant to Part 15 of the FCC Rules. These limits are designed to provide reasonable protection against harmful interference in a residential installation. This equipment generates, uses and can radiate radio frequency energy and, if not installed and used in accordance with the instructions, may cause harmful interference to radio communications. However, there is no guarantee that interference will not occur in a particular installation. If this equipment does cause harmful interference to radio or television reception, which can be determined by turning the equipment off and on, the user is encouraged to try to correct the interference by one or more of the following measures:

- Reorient or relocate the receiving antenna.
- Increase the separation between the equipment and receiver.
- Connect the equipment into an outlet on a circuit different from that to which the receiver is connected.
- Consult the dealer or an experienced radio/TV technician for help.

Notice for Industry Canada



This Class B digital apparatus complies with Canadian ICES-003.

Cet appareil numérique de la classe B est conforme à la norme NMB-003 du Canada.