








ASSEMBLY INSTRUCTIONS FOR FIXED FLAT PANEL WALL MOUNT

This product is designed to mount LCD TV weighing up to 30kg to wall.

Safety Warning: Be careful to make sure there are no missing or defective parts. Never use defective parts. Improper installation may cause damage or serious injury.

Note: The included hardware is for mounting on solid brick, concrete or hard wood batten/studs walls. If mounting on wood, do not use any concrete anchor. If you are uncertain about the nature of your wall, consult an expert. Please consult your hardware or installation professional for proper mounting to other types or walls. The supplied hardware is not for steel.

Forbidden Instruction: Do not mount onto plasterboard or paneled walls.

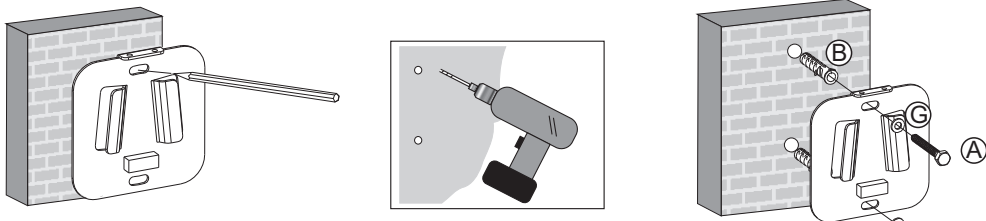
(A)	 x2	(C)	 x4	(E)	 x4	(G)	 x2	SUPPLIED PARTS: Supplied joint parts are exclusive for using in this product. Other joint parts are forbidden to use on this product. If any parts are missing or faulty, telephone the special franchiser for a placement.
(B)	 x2	(D)	 x4	(F)	 x4			
	6x60mm		M4x12		M5x12		Ø6	
	Ø10x50		Ø4		Ø5			

1 FIX TO WALL

Note: This product should be mounted to solid brick, concrete or hard wood batten/studs wall.

(a) SOLID BRICK AND CONCRETE BLOCK MOUNTING:

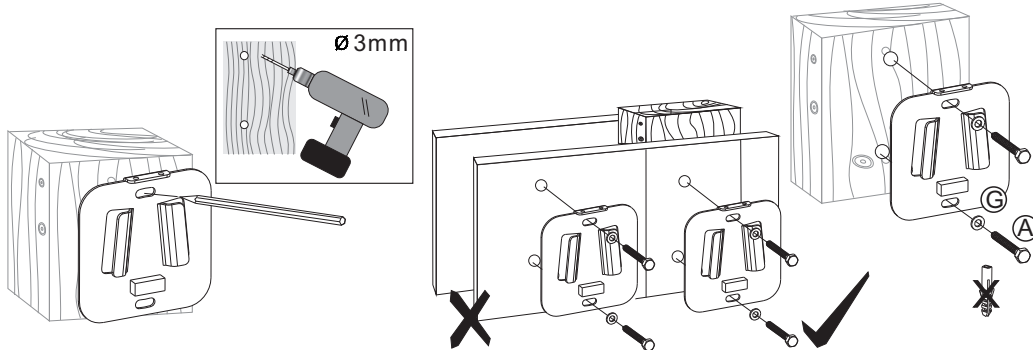
Use the wall plate as a template to mark 2 holes on the wall. Pre-drill these holes with a 10mm masonry bit to at least 60mm in depth. Insert a Concrete Anchor into each of those holes. Attach the wall plate to the wall using 2 Lag Bolts (A) and washers (C).



(b) HARD WOOD WALL MOUNTING:

Use the wall plate as a template to mark 2 holes locations on the wall. If the bracket mount onto wood studs wall, please use a high quality stud sensor to locate adjacent stud. It is a good idea to verify whether the holes you mark in the centre of the stud. Attach the wall Plate to the wall using for the 2 Lag Bolts (A).

Note: Do not use any concrete anchor when you mount the bracket onto hard wood wall.

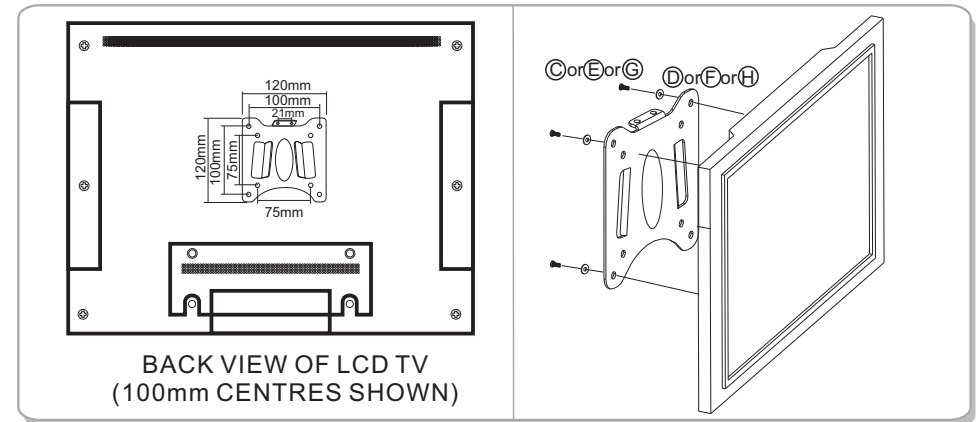


2 FIT SCREEN

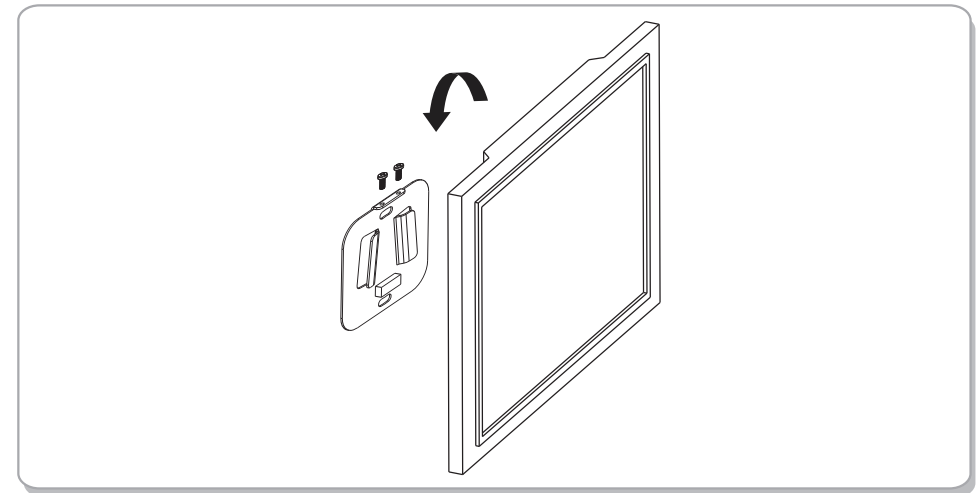
For VESA 100 Mounting Pattern Attach the VESA 100 hook bracket to the back of the TV using (C) or (E) screws provided.

NOTE!

The standard fixing plate suits VESA 75mm and 100mm fixing centers.



3 HANG THE TV ONTO THE WALL PLATE



CAUTION: Do not exceed 30 kg weight limit

TENDING INSTRUCTION

Please check whether screws are fixed well each two months.
IF YOU HAVE ANY DOUBTS REGARDING INSTALLATION CONSULT OUR SPECIAL FRANCHISER.