

# ASSEMBLY INSTRUCTIONS

## FOR FIXED FLAT PANEL WALL MOUNT









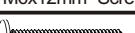
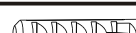





This product is designed to mount flat panel televisions weighing up to 65kg/143lbs to a vertical firm wall.

**Safety Warning:** Be careful to make sure there are no missing or defective parts. Never use defective parts. Improper installation may cause damage or serious injury.

**Note:** The included hardware is for mounting on walls. If you are uncertain about the nature of your wall, consult an expert. Please consult your hardware or installation professional for proper mounting to other types or walls. The supplied hardware is not for steel.

**Forbidden Instruction:** Do not mount onto plasterboard or panelled walls.

### Hardware kit

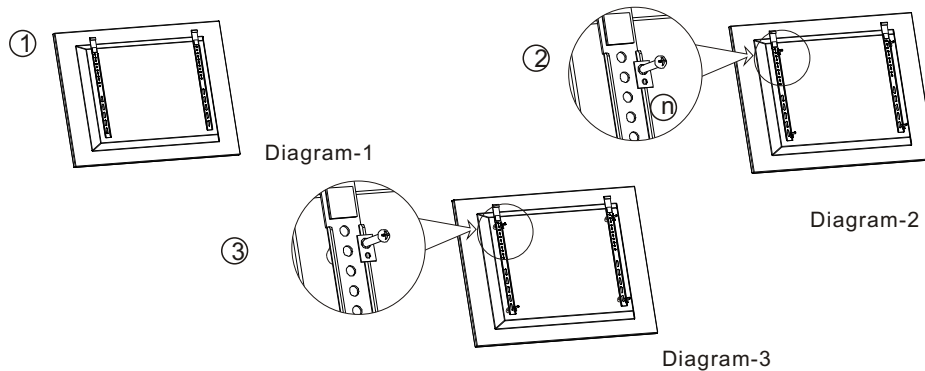
(a)	 M4x30mm Screw	x4	(b)	 M4x12mm Screw	x4	(c)	 M5x10mm Screw	x4
(d)	 M5x12mm Screw	x4	(e)	 M5x30mm Screw	x4	(f)	 M6x12mm Screw	x4
(g)	 M6x30mm Screw	x4	(h)	 M8x25mm Screw	x4	(i)	 M8x40mm Screw	x4
(j)	 Concrete Anchor	x6	(k)	 8mm Lag Bolt	x6	(l)	 Big Spacer	x4
(m)	 Small Spacer	x4	(n)	 Washer	x4	(o)	 Lag Bolt Washer	x6

**SUPPLIED PARTS:** Supplied joint parts are exclusive for using in this product. Other joint parts are forbidden to use on this product. If any parts are missing or faulty, telephone the special franchiser for a placement.

### Attaching the Arms to the Display

Important! Use extra care during this part of the installation. If possible, avoid placing your display face down as it may damage the viewing surface. Note: Your mount comes with a selection of bolt diameters and lengths to accommodate a wide variety of display models. Note all of the hardware in the kit will be used.

- Determine the correct length of bolt to use with your display by first examining the back of your display.
  - If your display has a flat back, you will use one of the shorter bolts from the hardware kit.
  - If your display has a curved or recessed back, you will use one of the longer bolts along with a spacer. Do not force any of the bolts-if you feel resistance stop immediately and by a smaller diameter bolt.
- Attach the arms to the back of your display using the bolts identified along with corresponding washers.
  - If you are using the M4 or M5 bolts, you will also need to use the small hole of the washers (n). If you are using the M6 or M8 bolts, you will also need to use the big hole of the washers (o).
  - If you are using one of the longer bolts on a display with a curved recessed back, you will also use a Spacer. Use the Small Spacer for M4 and M5 bolts and the Large Spacer for M6 and M8 bolts.
- Make sure all screws are secure, but do not over-tighten them.



### Mounting the Wooden Wall Plate

Important! For safety, the mount must be secured to two adjacent wood studs an least 16" apart.

- Using a stud finder, locate and mark two adjacent studs for securing the mount.
- Place the wall plate against the wall and level it using the bubble guide.
- Make two locations (two per stud) on the wall where the mount will be secured.
- Remove the wall plate and drill a 80mm deep hole an each location using a 6mm electric drill.
- With the help of another person, replace the wall plate and fix it to the wall using the Lag Bolts and Lag Bolt washers provided.
- Do not over-tighten the bolts and do not release the wall plate until all screws are secure.

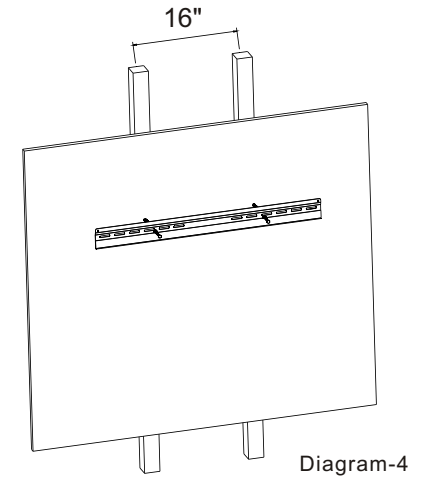


Diagram-4

### Mounting the Concrete Wall Plate

- Place the wall plate against the wall and level it using the bubble guide.
- With the help of another person, mark off four (6) locations for fixing the mount to the wall.
- Place the wall plate aside and drill a 90mm deep hole at each location using a 3/8" (10mm) masonry bit. Remove any excess dust form the holes.
  - Insert one Concrete Anchor into each hole. A hammer can be used to lightly tap the anchors into place if necessary.
- With the help of another person, replace the wall plate and fix it to the wall using the Lag Bolts and Lag Bolt Washers provided.
- Do not over-tighten the bolts and do not release the wall plate until all screws are secure.

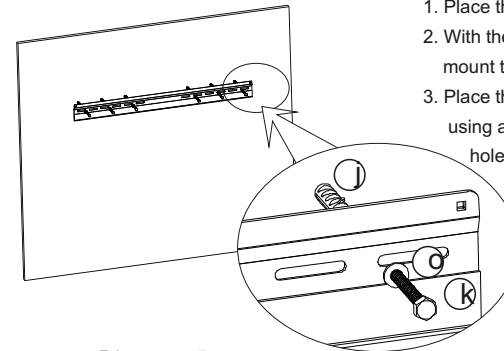


Diagram-5

### Final Installation and Adjustment

- With the help of another person, carefully lift your display and place it on the wall plate. Do not release the display until the mounting arms have securely hooked onto the mount.

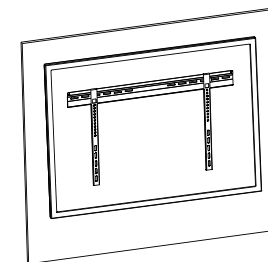


Diagram-6