

INSTALLATION GUIDE

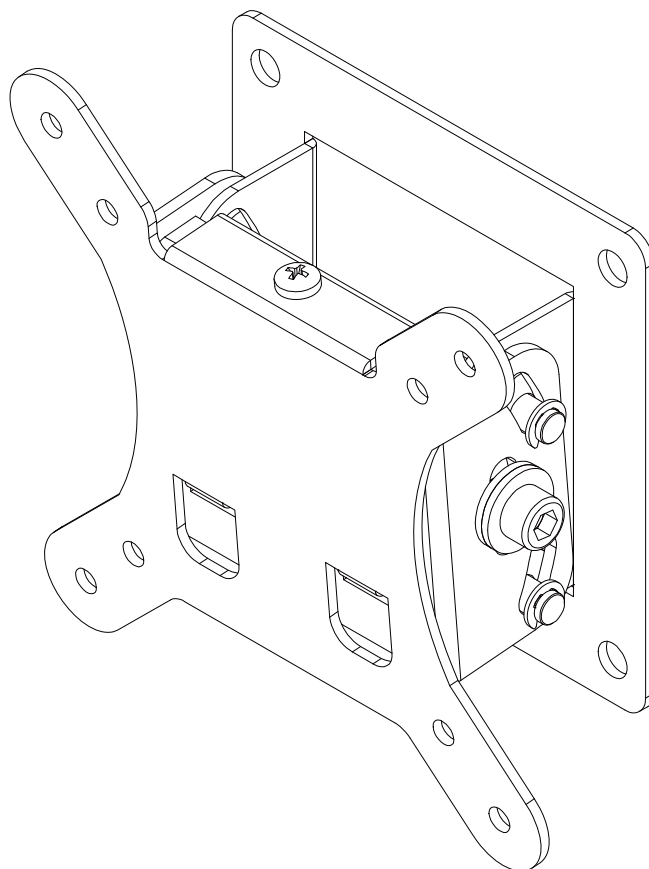
Flat Panel Mount

MHT-26(T)

Support 10" to 26" Screens

Max Load Capacity: 30 lbs (15 kg)

VESA 75x75 / 100x100 compatible



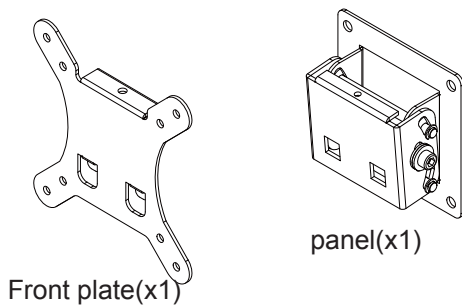
Installation Instructions

Model Name:MHT-26(T) Universal Wall Mount Flat panel 10"-26"

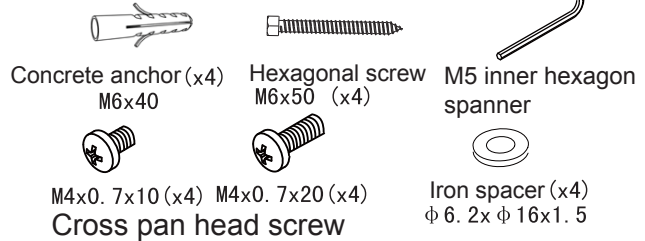
Important Notes:

- This cantilever bracket supports plasma,LCD displays,the maximum loading capacity is 30lbs.
- VESA:100x100 (4"x4") 75x75(3"x3") compatible.

Component Checklist

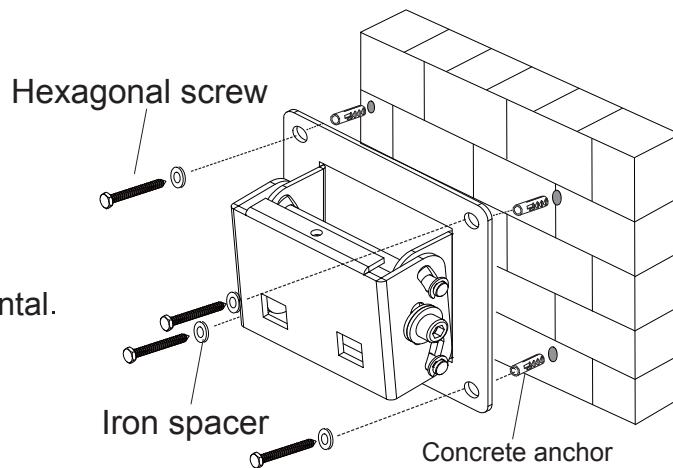


Parts List



Ⓐ Mounting the wall plate

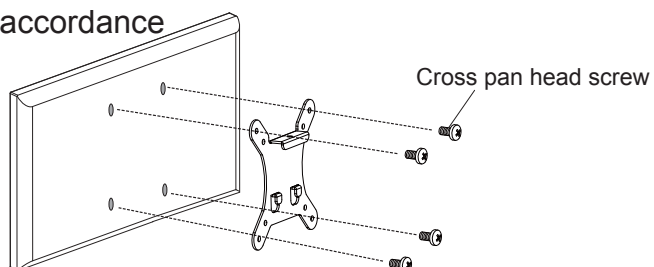
NOTE: Use a level to ensure
the wall plate is horizontal.



Ⓑ Fix the front plate on the display screen

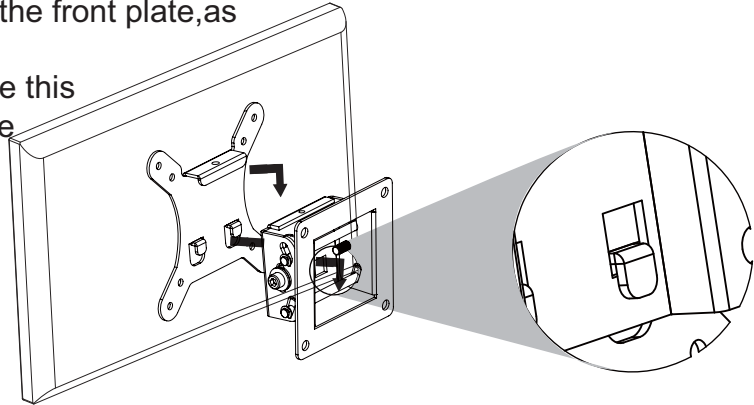
NOTE:Make sure the installation in accordance
with following pictures.

VESA: 75x75 / 100x100

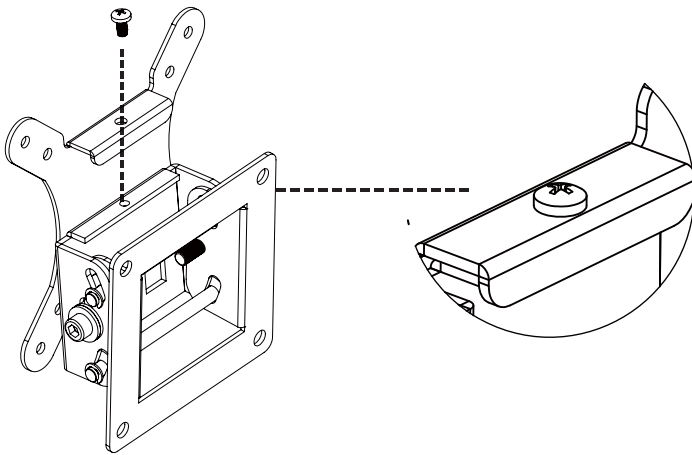


© Put the front plate on the wall panel

- Hang the locked screen on the front plate, as right picture shown.
- Be careful when you operate this bracket, or you may damage your screen.

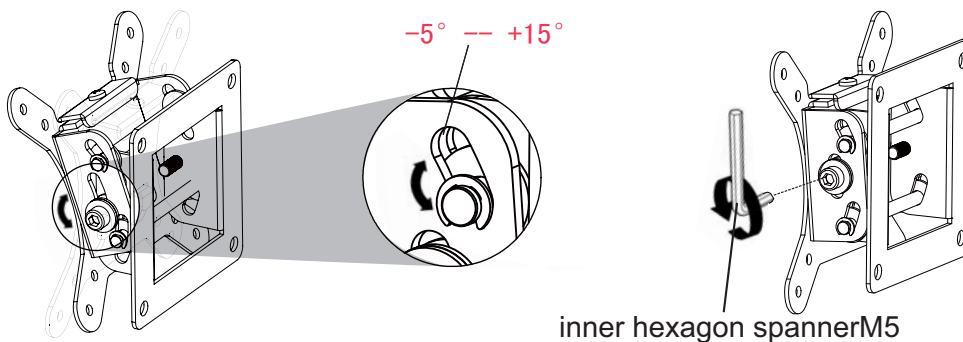


© Fix the wall plate and front plate



- After the locked front plate hang on the wall plate, use a M4X12 cross pan head to fix these two parts.

© Angle adjustment



inner hexagon spanner M5

- (1) Adjustable angle design can make you enjoy the best optical angle. Maximum angle is -5° -- $+15^{\circ}$
- (2) After adjusting the seeing angle, use M5 inner hexagon spanner to fix the inner hexagon screw just like above picture shown.