

# **INSTALLATION GUIDE**

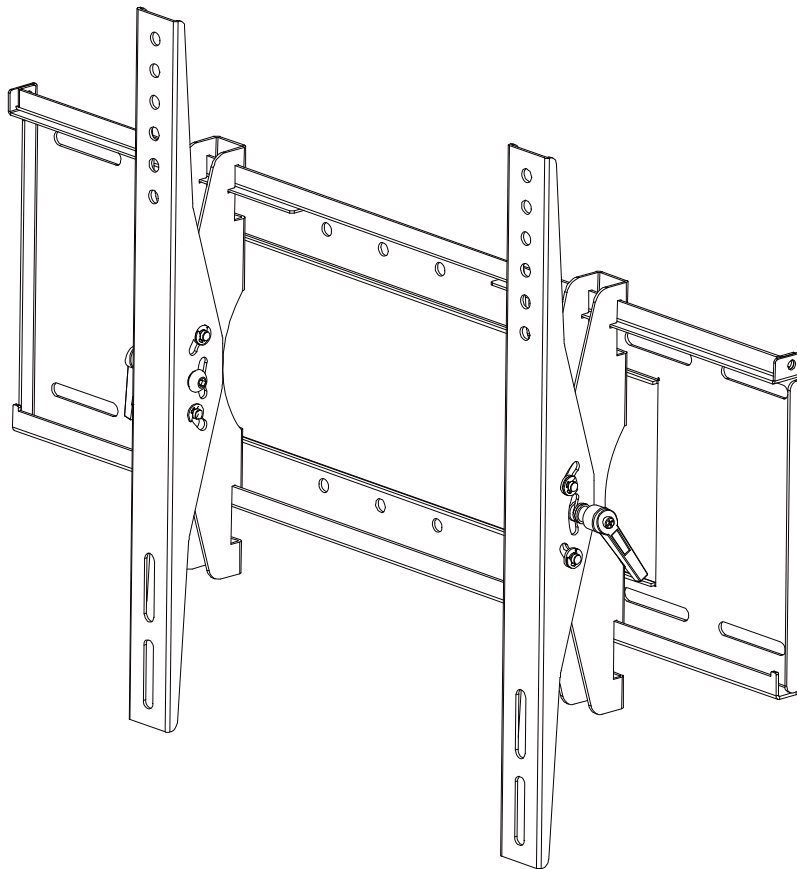
## **Flat Panel Mount**

### **MT- 52**

Support 32" to 52" Screens

Max Load Capacity: 125 lbs (57 kg)

**VESA 100x100 / 100x200 / 200x200 / 400x500 compatible**



# Installation Instructions

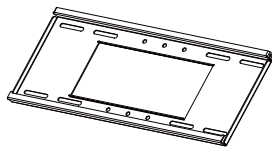
## Model Name:MT-52

### 32"-52"UNIVERSAL TILT WALL MOUNT

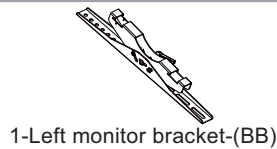
#### Important Notes

- The 32"-52" Universal Tilt Wall Mount supports LCD and supports a maximum load of 57 kg (125 lbs), adjustable wide range tilt: + 5°/-15° .
- The manufacturer does not accept responsibility for incorrect installation.

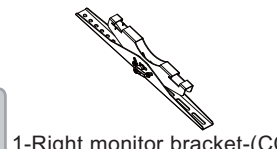
#### Component Checklist



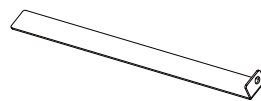
Wall Plate



1-Left monitor bracket-(BB)



1-Right monitor bracket-(CC)



Security Bracket

#### TOOLS REQUIRED:

- Power Drill
- 10mm or 6mm Drill Bit
- Phillips Head Screw Driver
- Spirit Level
- 13mm (1/2") Socket Wrench or Shifter

#### Bits Bag



φ 8.2X1.5X φ 16 iron spacer(x4)



25. 65x25. 65x2. 5 square spacer (x4)



φ 12.7X φ 6.0X12.7 Spacer(x4)



φ 19X φ 8.2X19.6 Spacer(x4)



concrete anchor M8X50(x4)



M8X70 outside the hexagonal self-tapping screws(X4)



Cross pan head screw

- |         |           |
|---------|-----------|
| M8x35mm | (x4 each) |
| M8x16mm | (x4 each) |
| M6x35mm | (x4 each) |
| M6x16mm | (x4 each) |
| M5x35mm | (x4 each) |
| M5x16mm | (x4 each) |

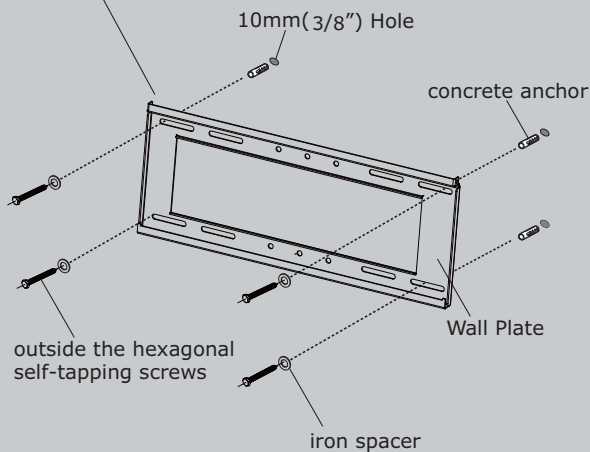
I H G F E D

#### A Mounting the Wall Plate

##### Masonry Wall

Note:Ensure the Wall Plate is mounted with the folded tabs pointing upwards.

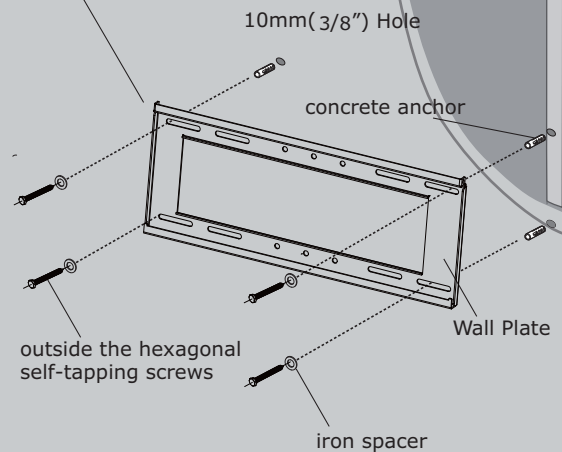
**TIP:**Use a spirit level to ensure the Wall Plate is horizontal

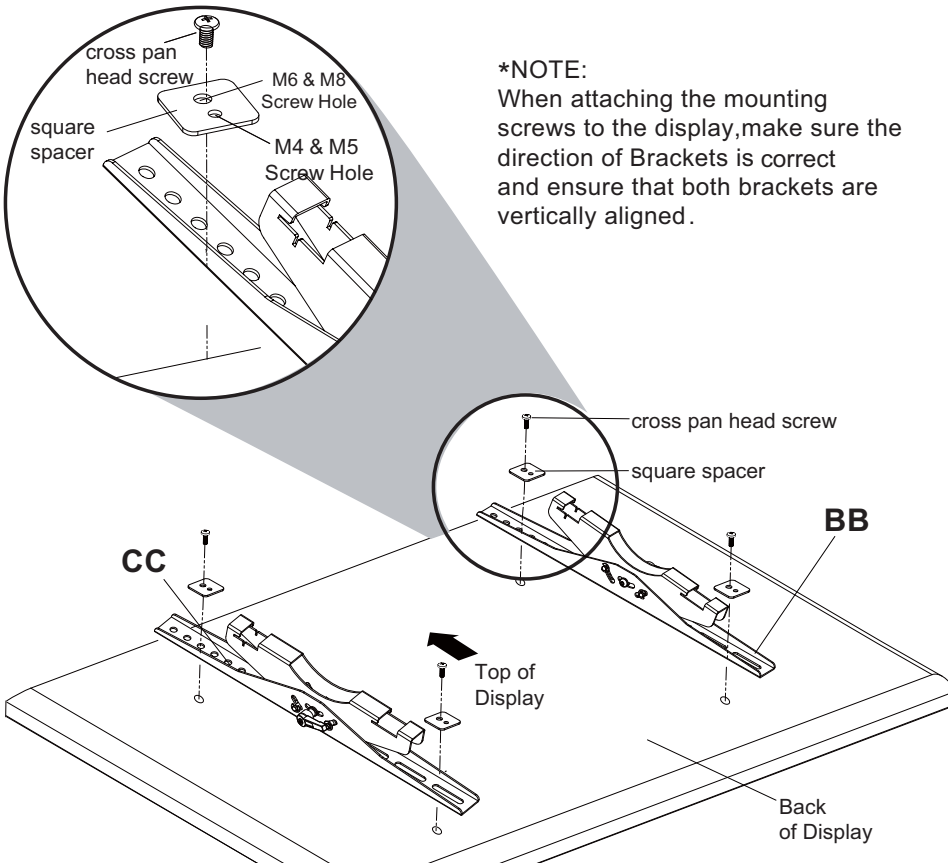


OR

##### Timber Stud Wall

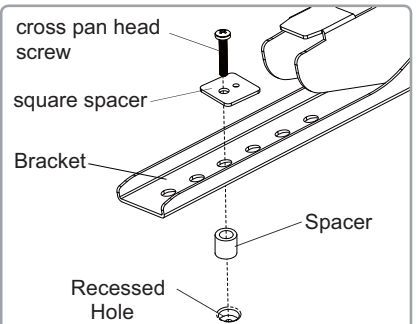
Note:Ensure the Wall Plate is mounted with the folded tabs pointing upwards.



**B**

**\*NOTE:**  
When attaching the mounting screws to the display, make sure the direction of Brackets is correct and ensure that both brackets are vertically aligned.

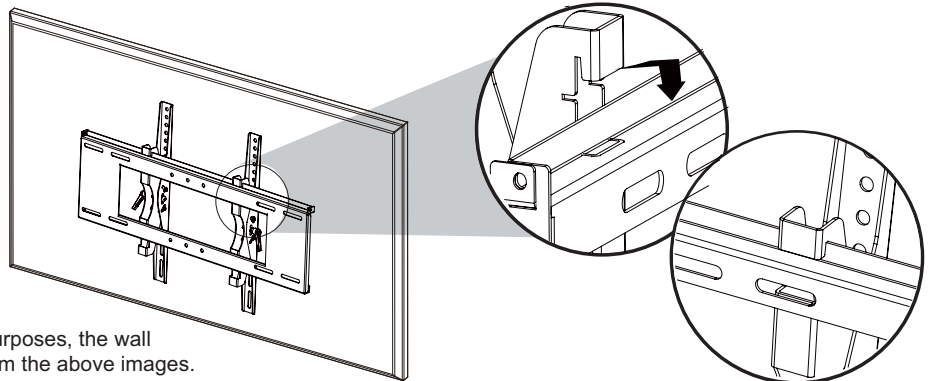
**Recessed Mounting Holes.** If the mounting holes are recessed into the back of the display, use the supplied spacers to pack the recessed hole. If the mounting screw is M4 & M5 & M6, use the  $\phi 12.7 \times \phi 6.0 \times 12.7$ mm Spacers. If the mounting screw is M8, use the  $\phi 19 \times \phi 8.2 \times 19.6$ mm Spacers. Ensure that the brackets are securely fixed to the display.

**C**

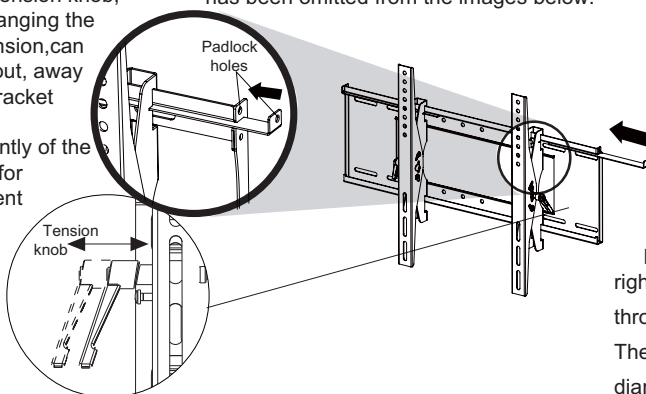
Note: This procedure will require two persons

With the Brackets attached to the display, lift the display and hook the brackets onto the Wall Plate as shown.

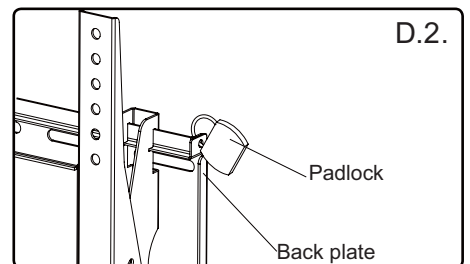
Note: For demonstration purposes, the wall has been omitted from the above images.

**D****D.1.**

Note: The tension knob, without changing the bracket tension, can be pulled out, away from the bracket and turned independently of the knob post for readjustment



Note: For demonstration purposes, the display has been omitted from the images below.

**D.2.**

For additional security, it is suggested that the left and right Security Brackets be inserted and a Padlock attached through each Security Bracket and the Wall Plate as shown. The two Padlocks (not supplied) should have a shackle diameter no larger than 5mm (3/16").