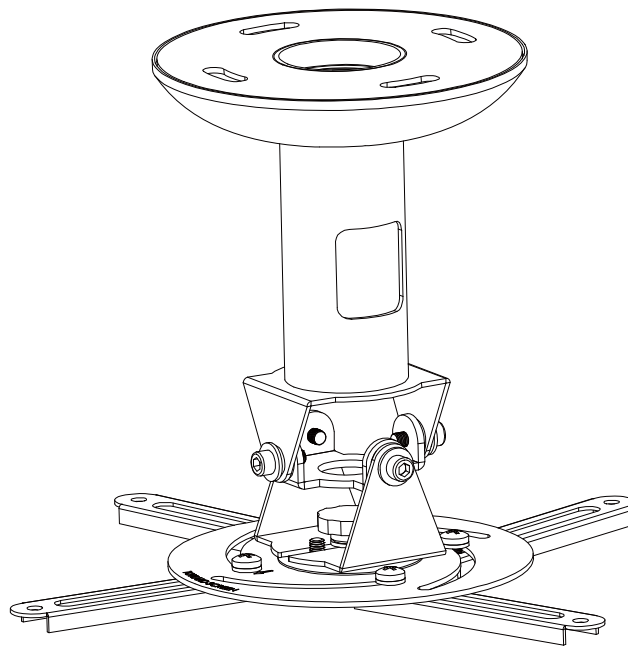


INSTALLATION GUIDE

Ceiling Projector mount

MHP-20

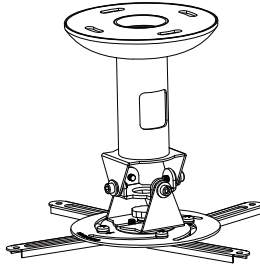
Max Load Capacity: 50 lbs (23kg)



Installation Instructions

Ceiling Projector mount model: SECURMOUNT MHP-20

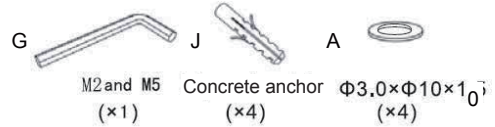
Component Checklist



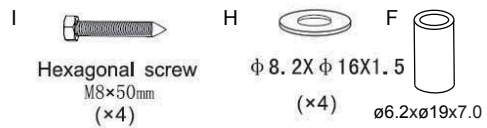
Screw kit



B	M3x15	/(x4)
C	M4x15	/(x4)
D	M5x15	/(x4)
E	M6x15	/(x4)



G M2 and M5 (x1)
 J Concrete anchor (x4)
 A $\Phi 3,0 \times \Phi 10 \times 1,0$ (x4)



I Hexagonal screw M8x50mm (x4)
 H $\Phi 8, 2 \times \Phi 16 \times 1,5$ (x4)
 F $\varnothing 6,2 \times \varnothing 19 \times 7,0$

WARNING

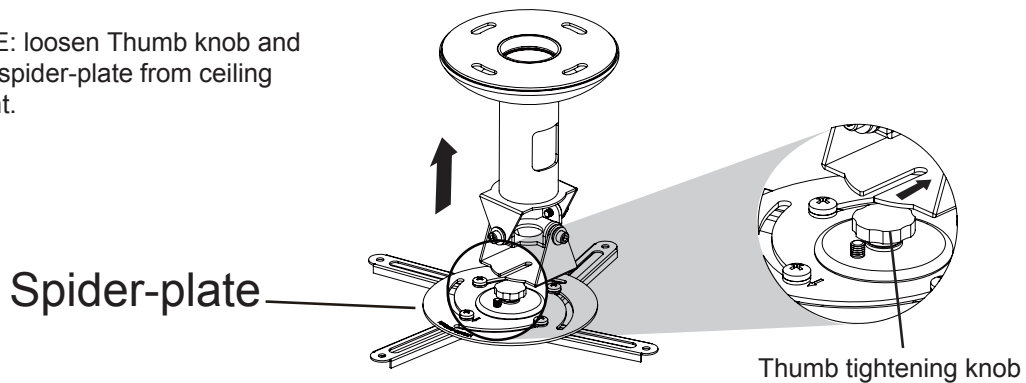
- Ensure the Ceiling can support the total weight of the Projector and the Universal Flush Mount.
- All bolts and screws must be used at the designated points in the installation instructions to prevent damage to the projector, or personal injury.
- DO NOT install near air conditioner vents or where there is excessive dust or smoke.
- We do not accept responsibility for incorrect installation.
- 50 lbs load capacity

A Component Checklist

Check you have received all parts against the Component Checklist above.

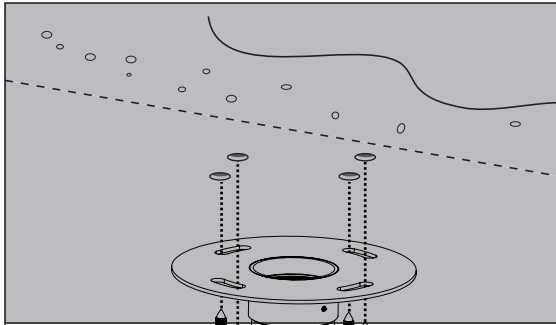
B Removing the Ceiling Plate from the Flush Mount Assembly

NOTE: loosen Thumb knob and slide spider-plate from ceiling mount.



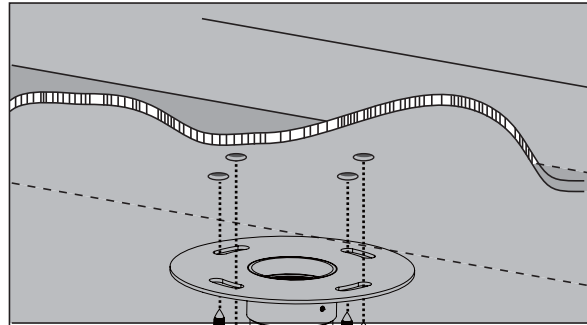
© Install on Ceiling

Choose the appropriate installation procedure depending on your ceiling type.

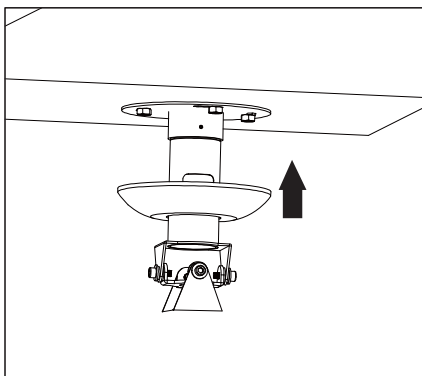


Use 4 piece
M8×50MM screws to fix
the panel as shown in the figure.

OR



Use 4 piece
M8×50MM screws to fix
the panel as shown in the figure.



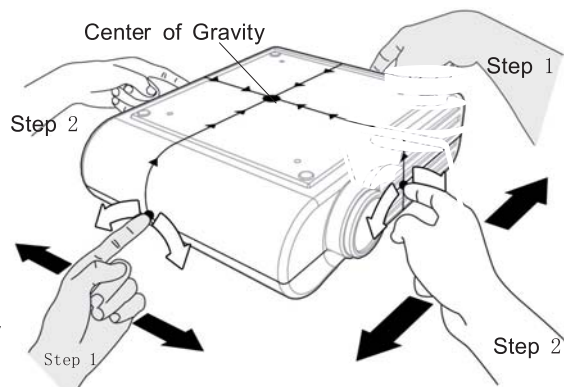
After mount is installed, slide cover bezel up and snap in place.

④ Finding the Center of Gravity of the Projector

D. 1.
Pick up the projector using both of your index fingers.
Move your fingers along the side of the Projector (follow
Step 1) until it is level. Remember the balance point.

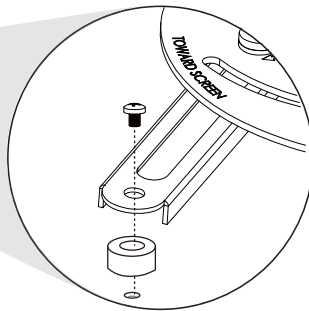
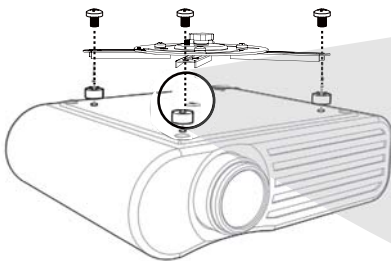
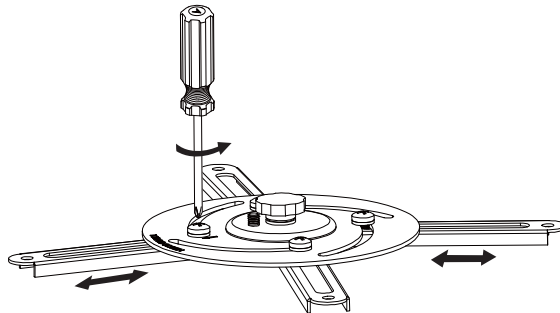
D. 2.
Repeat this process for the perpendicular side.
(follow Step 2)

D. 3.
Where both balance points meet is the Center of Gravity
of your projector. Use a pencil to mark this point.



E Pull out extension columns and install them to the projector

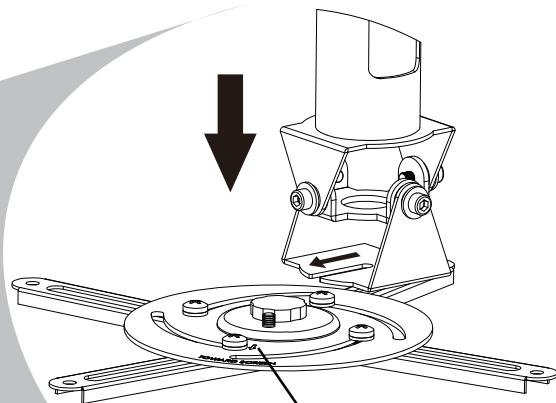
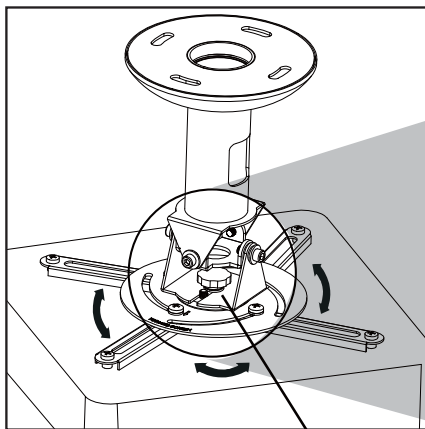
Loosen screws on spider arms.



Place the Bottom Spacers in between the Extension Brackets and the Projector, and align the mounting.

NOTE: Adjust spider arms to 4 mounting holes, install screws and firmly tighten. Be sure to maintain center balance point.

F Install the bottom plate with projector to ceiling plate

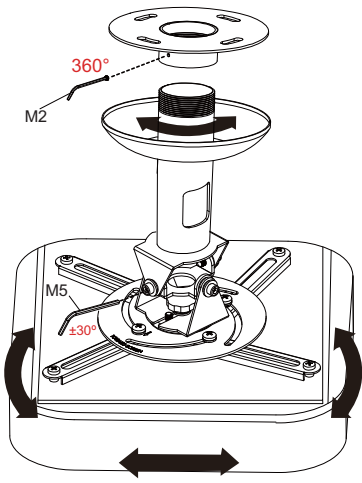


Aim projector with slot on spider plate

- Slide Spider plate onto ceiling assy.
- Tighten with center thumb knob.
- Adjust projection view using black tightening knobs.

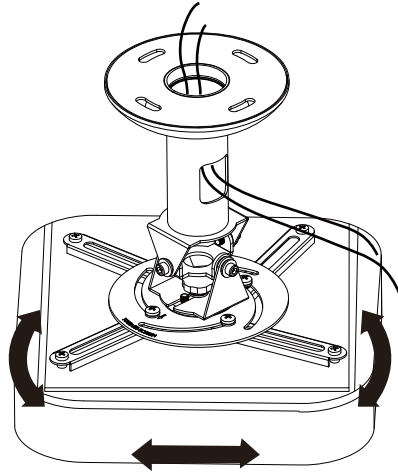


Angle Adjustment



Use knobs for fine adjustment

Wire Management



Pull cables up and through conduit