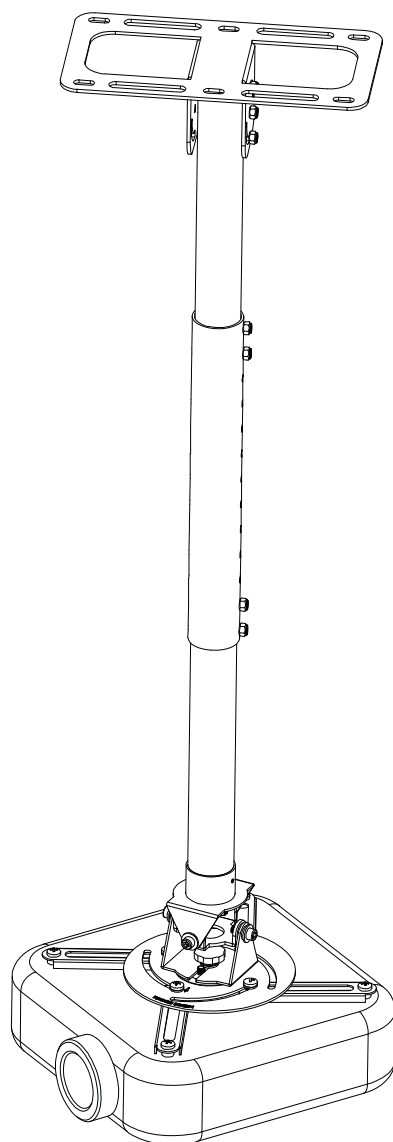


INSTALLATION GUIDE

Ceiling Projector mount

MHP-100

Max Load Capacity: 50 lbs (23kg)



Note: Read entire instruction sheet before you start installation and assembly.

⚠ WARNING

- Be sure to read this entire manual thoroughly and you fully understand all the instructions and warning before attempting to begin your installation.
- This product should only be installed by someone who has a basic knowledge of building construction, in stallations and fully understands these instructions.
- Make sure that the supporting surface will safely support the combined load of the mount, the display and all attached hardware and components.
- The maximum load capacity is 50 pounds.
- Always have someone assist you to lift and position your equipment.
- Tighten screws and bolts firmly, but do not over tighten. Over tightening can damage the items and greatly reduce their ability to hold. Please refer to suggested torque values where applicable in these instructions.

Tools Needed for Assembly

- stud finder ("edge to edge" stud finder is recommended)
- phillips screwdriver
- drill with 1/4", 3/8" drill bits

Table of Contents

| | |
|--|---|
| Parts List | 3 |
| Installation to Wood Joist Ceiling | 4 |
| Installation to Concrete Ceiling | 5 |
| Installation of Extension Column | 6 |
| Removing the ceiling plate from the flush mount assembly | 7 |
| Put out columns and install them to the projector | 7 |
| Install the bottom plate with projectto ceiling plate | 8 |
| Angie adjustment and management | 8 |

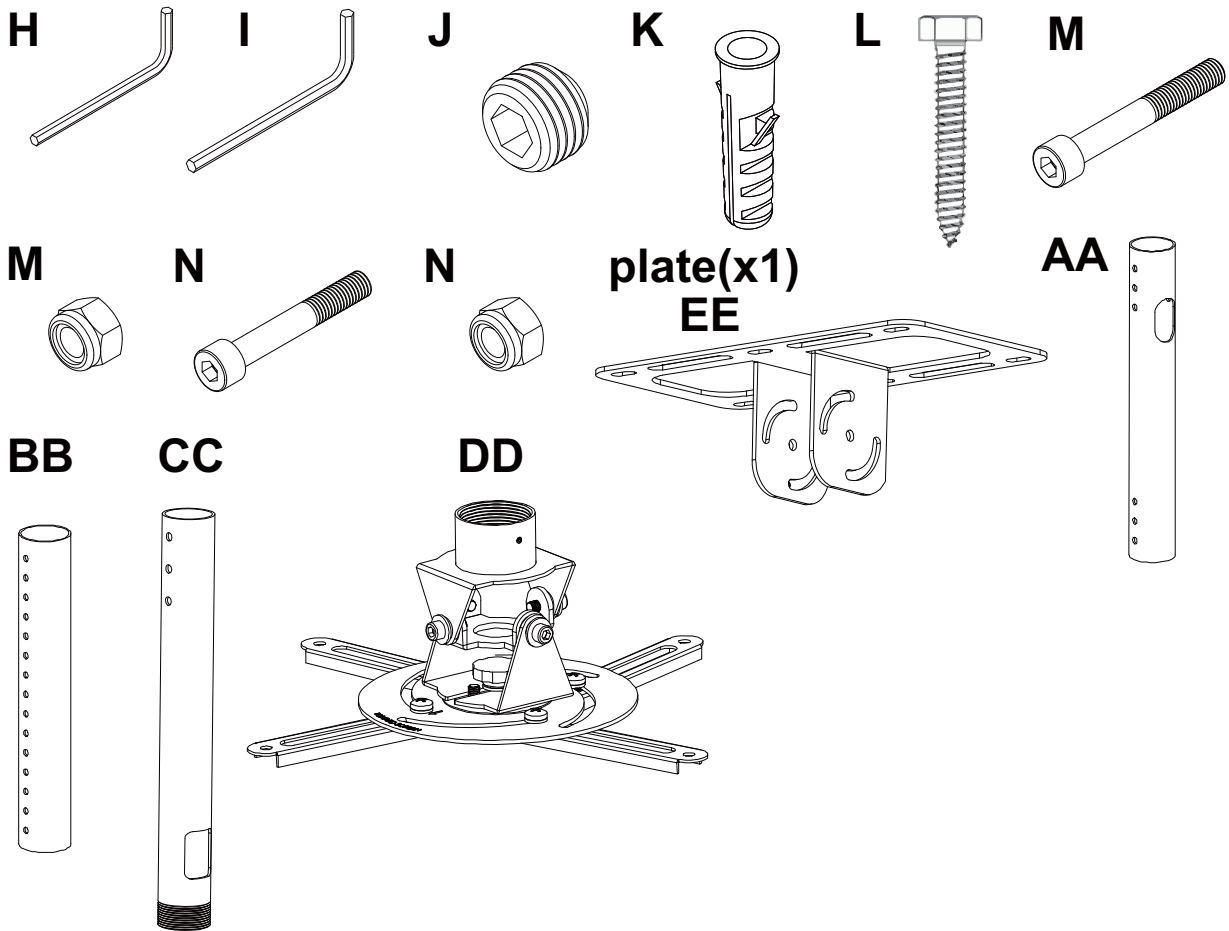
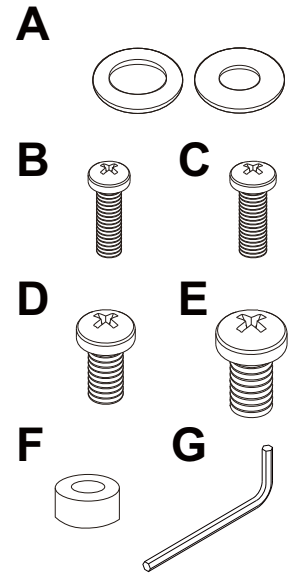
Before you begin, make sure all parts shown are included with your product.

Parts may appear slightly different than illustrated.

Parts List

Description

| | | | |
|---|------------------------------|---|-------------------------|
| A | washer washer | 4 | Ø8.2x16x1.5 Ø8.2x10x1.0 |
| B | philips pan head screw | 4 | M3x15 |
| C | philips pan head screw | 4 | M4x15 |
| D | philips pan head screw | 4 | M5x15 |
| E | philips pan head screw | 4 | M6x15 |
| F | spacer | 4 | Ø6.2x19x7.0 |
| G | allen wrench | 1 | M2.0 |
| H | allen wrench | 1 | M5 |
| I | allen wrench | 1 | M6 |
| J | allen cap screw | 1 | M4x3 |
| K | concrete anchor | 4 | M8x50 |
| L | hex bolt screw | 4 | M8x50 |
| M | Hexagon fillister head screw | 3 | M6x60 |
| M | nonskid nut | 3 | M6 |
| N | Hexagon fillister head screw | 4 | M6x55 |
| N | nonskid nut | 4 | M6 |

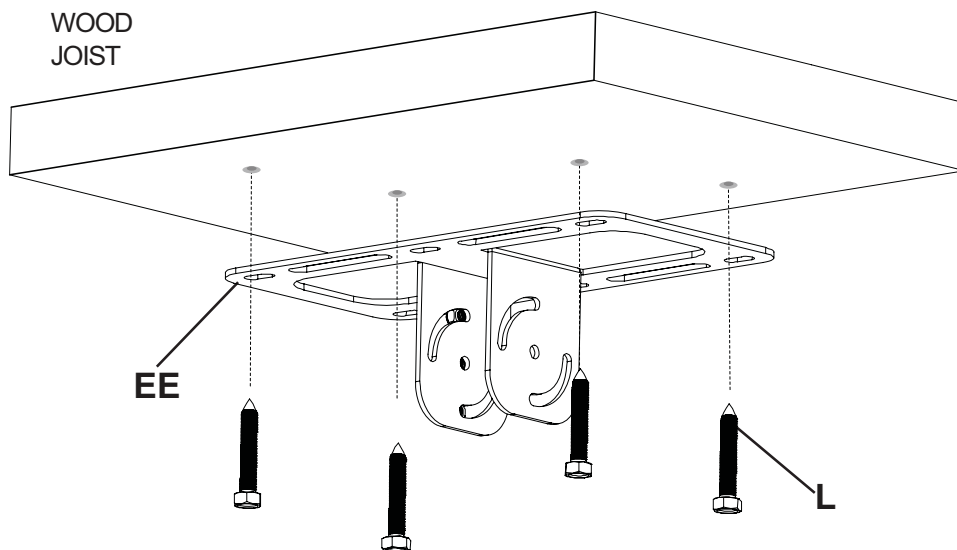


Installation to Wood Joist Finished Ceilings, Exposed Wood Joists, or Wood Beam Ceilings

- 1 Drill four 1/4" (6 mm) dia. holes to a minimum depth of 1.57" (40 mm). Attach ceiling plate (EE) with four hex bolt screws M8x50 (L) as shown using 1/2" (13mm) socket wrench. Tighten wood screws (L), so ceiling plate (EE) is firmly attached.

⚠ WARNING

- Tighten wood screws so that ceiling plate is firmly attached, but do not overtighten. Overtightening can damage the screws, greatly reducing their holding power.
- Make sure that mounting screws are anchored into the center of the joist. The use of an "edge to edge" stud finder is highly recommended.



Installation to Concrete Ceilings

- 1** Drill four 3/8" (10 mm) dia. holes to a minimum depth of 1.57" (40 mm). Attach ceiling plate (EE) using four concrete anchors (K) and M8x50 wood screws (L) as shown in **Illustration A** and 1, 2, and 3 (below). Tighten all fasteners.

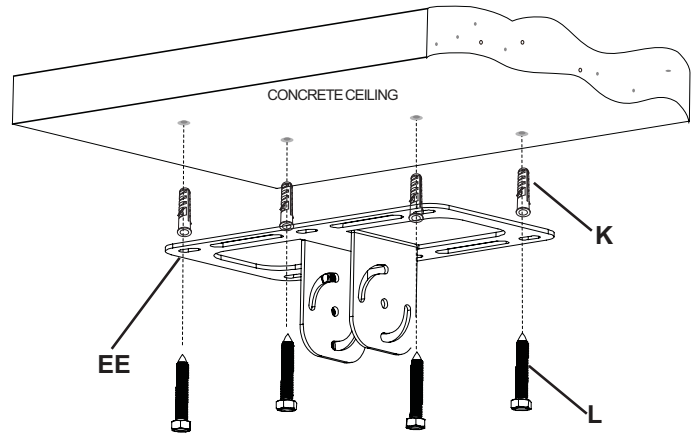


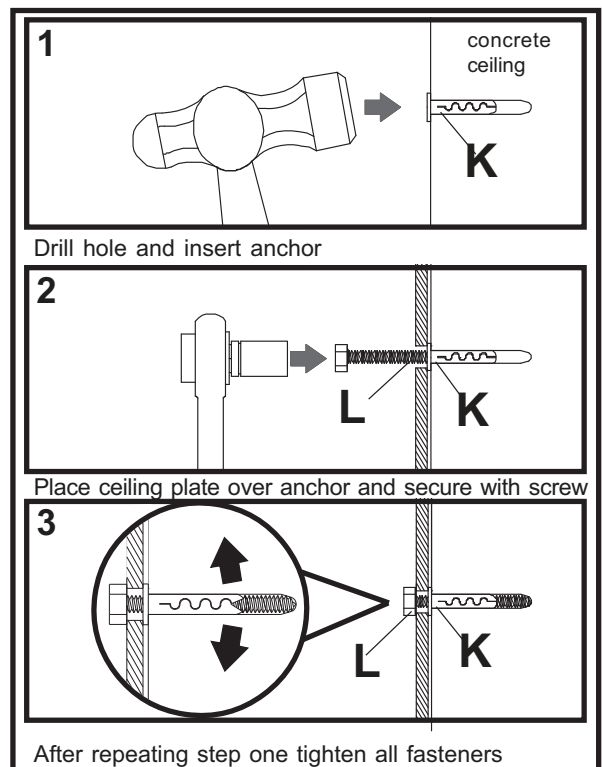
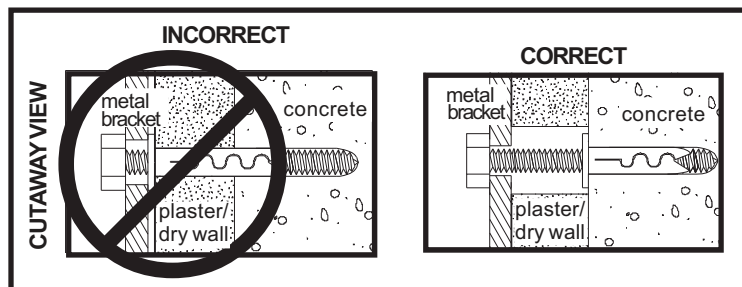
Illustration A

⚠ WARNING

- Tighten wood screws firmly, but do not overtighten. Overtightening can damage the bolt, greatly reducing its holding power.

⚠ WARNING

- Concrete anchors are **not** intended for attachment to concrete wall covered with a layer of plaster, drywall, or other finishing material. If mounting to concrete wall covered with plaster/drywall is unavoidable, plaster/drywall (up to 5/8" thick) must be counterbored as shown below. If plaster/drywall is thicker than 5/8", custom fasteners must be supplied by installer.



Installation of Extension Column

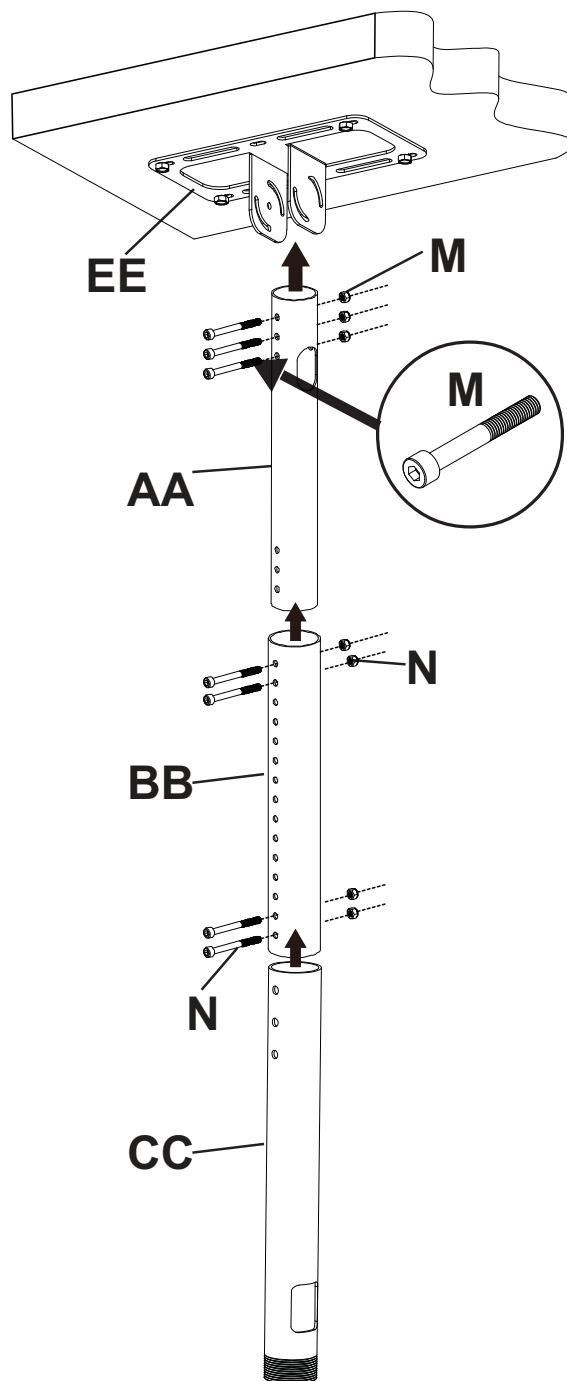
- 2** Insert and tighten three M6 x 60mm hexagon fillister head screws (M) to lock adjuster tube (AA) to ceiling plate (EE) and lock it by nut (M).

⚠ WARNING

- Installer must verify that the ceiling will safely support the combined weight of all attached equipment and hardware.

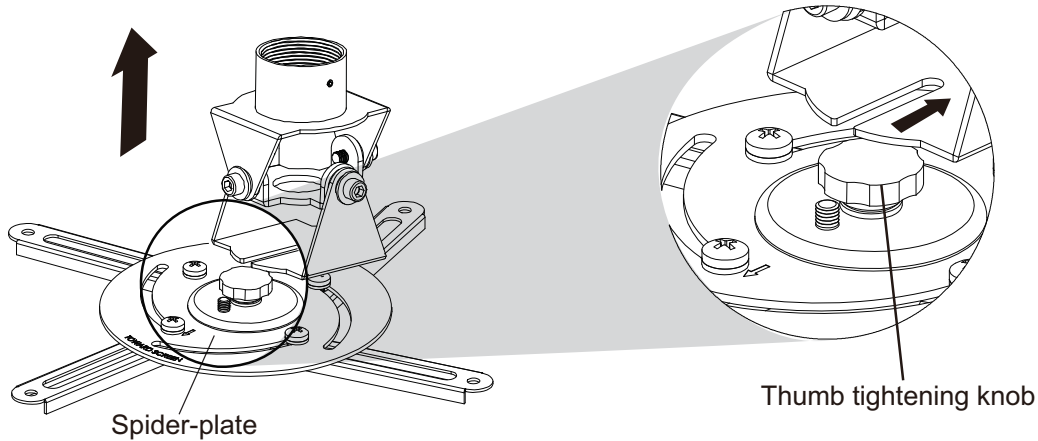
- 3** Slide extension pipe (BB) over adjuster tube (AA) to the desired height. Attach with two M6 x 55 mm hexagon fillister head screws (N) and lock nut (N).

Slide extension pipe (CC) over adjuster tube (BB) to the desired height. Attach with two M6 x 55 mm hexagon fillister head screws (N) and lock nut (N).



Removing the ceiling plate from the flush mount assembly

4

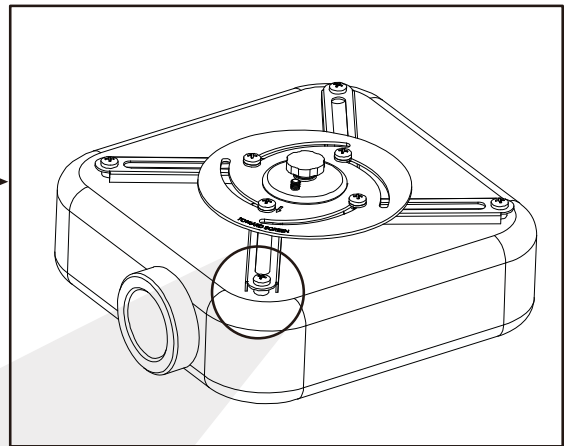
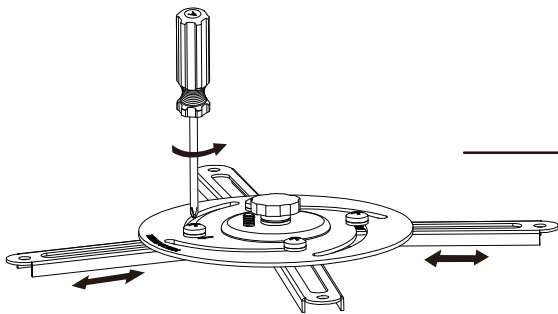


NOTE: loosen Thumb knob and slide spider-plate from ceiling mount.

Pull out extension columns and install them to the projector

5

Loosen screws on spider arms.

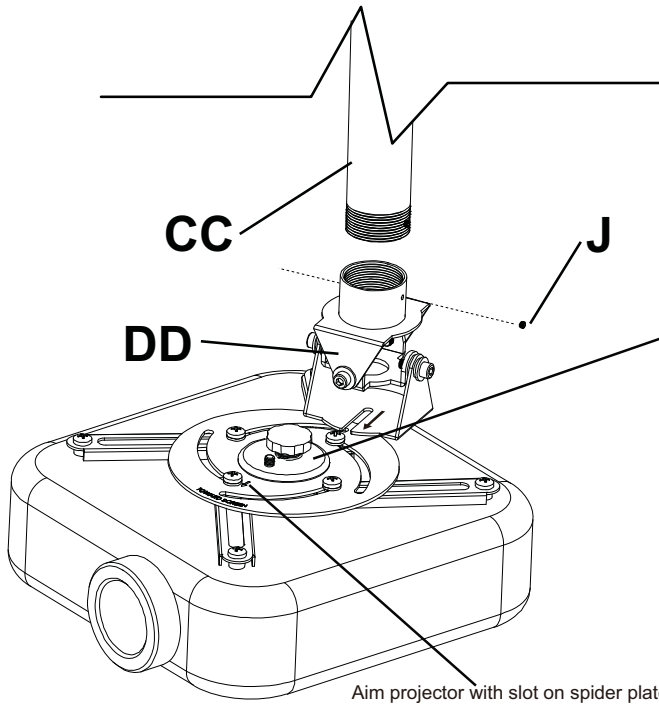


Place the Bottom Spacers in between the Extension Brackets and the Projector, and align the mounting.

NOTE: Adjust spider arms to 4 mounting holes, install screws and firmly tighten. Be sure to maintain center balance point.

Install the bottom plate with projector to ceiling plate

6

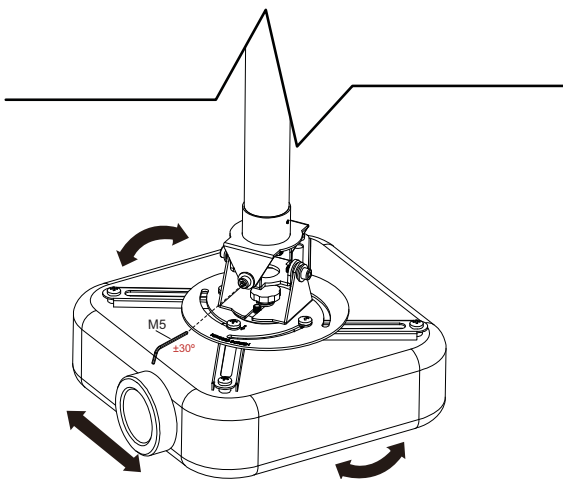


- Slide Spider plate onto ceiling assy.
- Tighten with center thumb knob.
- Adjust projection view using black tightening knobs.

Insert and tighten one M4 x 3mm allen cap screw (J) to lock adjuster tube (CC) to ceiling plate (DD) .

Angle Adjustment and Wire Management

7



Use knobs for fine adjustment

