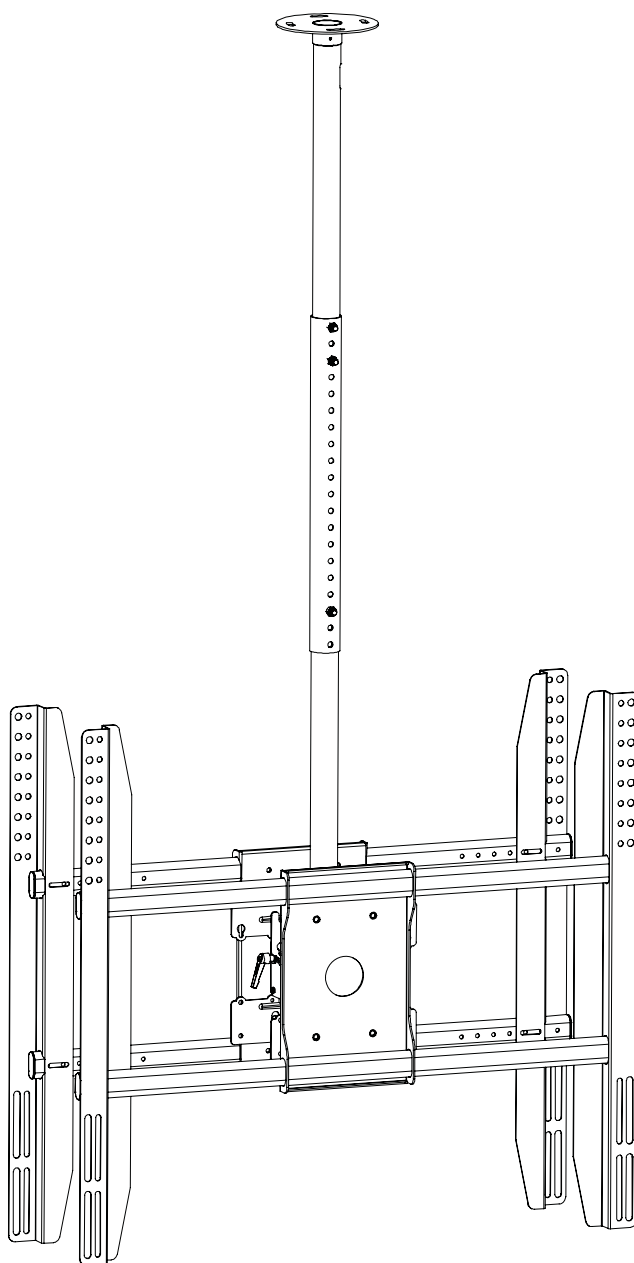


INSTALLATION GUIDE

Ceiling TV Mount

MHP-52

Max Load Capacity: 125 lbs (57kg)



Note: Read entire instruction sheet before you start installation and assembly.

⚠ WARNING

- Be sure to read this entire manual thoroughly and you fully understand all the instructions and warning before attempting to begin your installation.
- This product should only be installed by someone who has a basic knowledge of buiding construction,in stallations and fully understands these instructions.
- Make sure that the supporting surface will safely support the combined load of the mount, the display and all attached hardware and components.
- The maximum load capacity is 125 pounds.
- If mounting to a wall of wood stud construction, be sure that mounting bolts are anchored to the center of the studs.
- Always have someone assist you to lift and position your equipment.
- Tighten screws and bolts firmly, but do not over tighten. Over tightening can damage the items and greatly reduce their ability to hold. Please refer to suggested torque values where applicable in these instructions.

Tools Needed for Assembly

- stud finder ("edge to edge" stud finder is recommended)
- phillips screwdriver
- drill with 1/4", 3/8", and 5/32" drill bits

Table of Contents

Parts List	3
Installation to Wood Joist Ceiling	4
Installation to Concrete Ceiling	5
Installation of Extension Column	6
Mounting the Assembly Adapter plate to screen	7
Attach Assembly Adapter plate to Assembly Arm	8
Tilt Adjustment and cord Cord Coves and Wire Managment	8

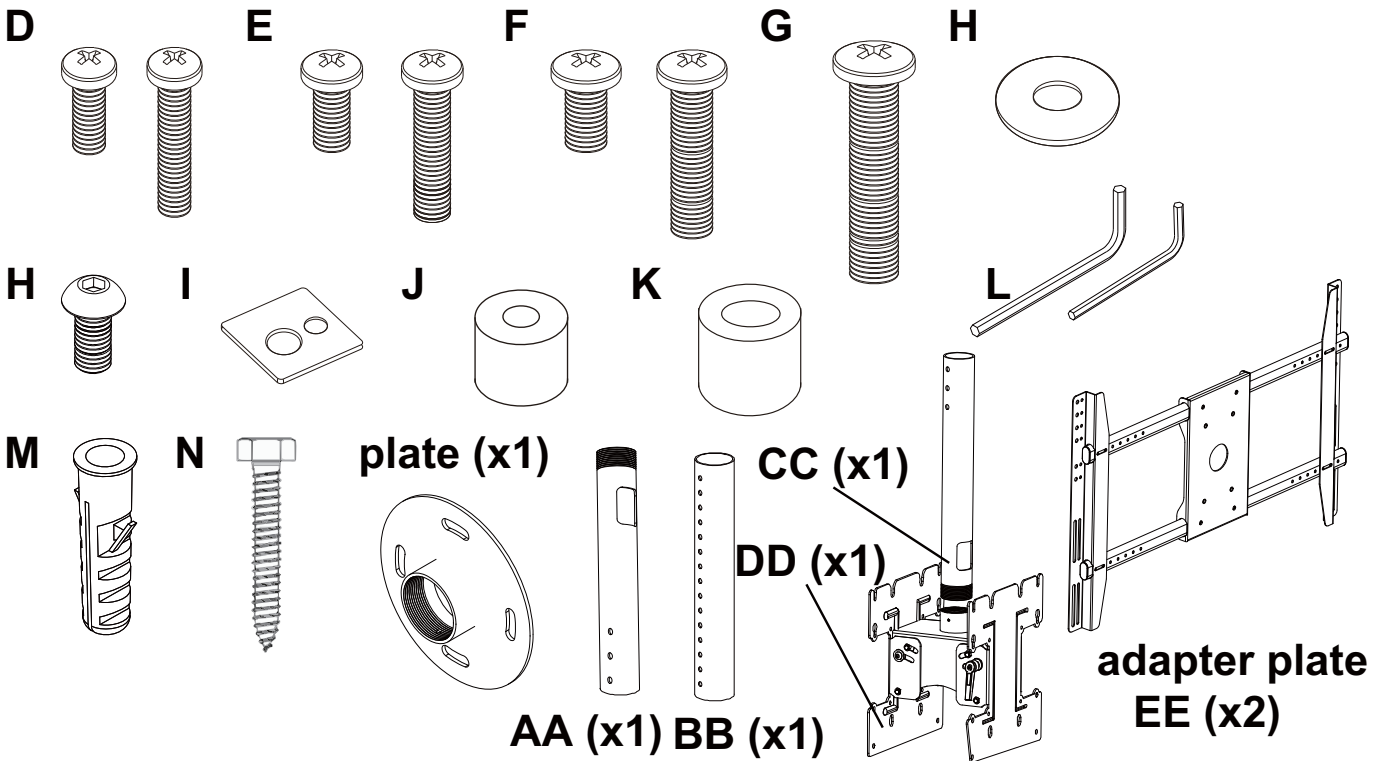
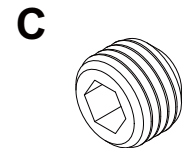
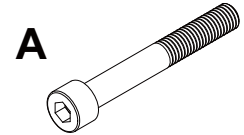
Before you begin, make sure all parts shown are included with your product.

Parts may appear slightly different than illustrated.

Parts List

Description

A	nonskid nut	4	
A	Hexagon fillister head screw	4	M8x60
B	philips pan head screw	8	M6x12
B	washer	8	Ø6xØ13x1.2
C	allen cap screw	2	M4x3
D	philips pan head screw	8	M4x16
D	philips pan head screw	8	M4x30
E	philips pan head screw	8	M5x16
E	philips pan head screw	8	M5x30
F	philips pan head screw	8	M6x16
F	philips pan head screw	8	M6x30
G	philips pan head screw	8	M8x45
H	washer	8	Ø8.2xØ1.5x16
H	allen cap screw	8	M8x15
I	square spacer	8	25.65x25.65x2.5
J	spacer	8	Ø12.7xØ6.0x12.7
K	spacer	8	Ø19xØ8.2x19.6
L	allen wrench	1	M6
L	allen wrench	1	M5
M	concrete anchor	4	M8x50
N	washer	4	Ø8.2xØ16x2.0
N	hex bolt screw	4	M8x50

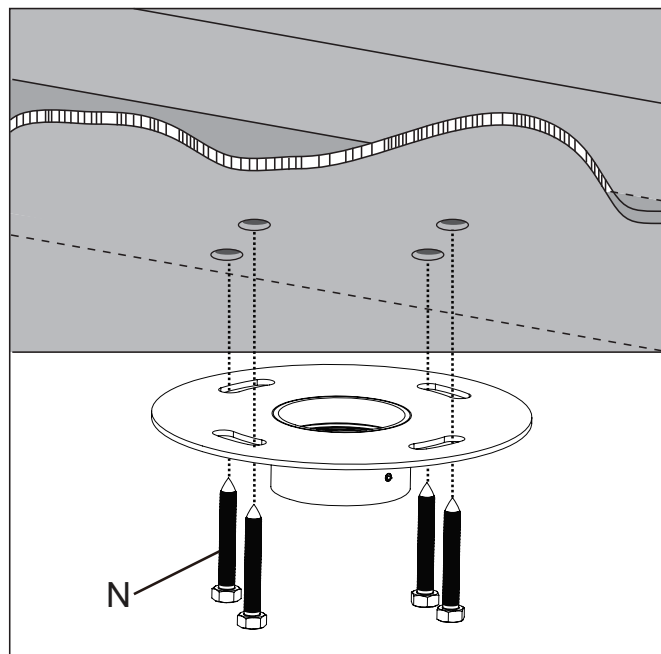


Installation to Wood Joist Finished Ceilings, Exposed Wood Joists, or Wood Beam Ceilings

- 1 Drill four 1/4" (6 mm) dia. holes to a minimum depth of 1.57" (40 mm). Attach ceiling plate with four hex bolt screws M8x50 (**N**) as shown using 1/2" (13mm) socket wrench. Tighten wood screws (**N**), so ceiling plate is firmly attached.

⚠ WARNING

- Tighten wood screws so that ceiling plate is firmly attached, but do not overtighten. Overtightening can damage the screws, greatly reducing their holding power.
- Make sure that mounting screws are anchored into the center of the joist. The use of an "edge to edge" stud finder is highly recommended.



Installation to Concrete Ceilings

- 1 Drill four 3/8" (10 mm) dia. holes to a minimum depth of 1.57" (40 mm). Attach ceiling plate using four concrete anchors (**M**) and M8x50 hex bolt screws (**N**) as shown in **Illustration A** and 1, 2, and 3 (below). Tighten all fasteners.

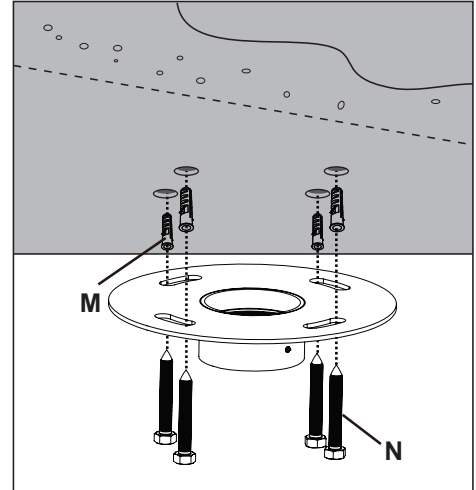


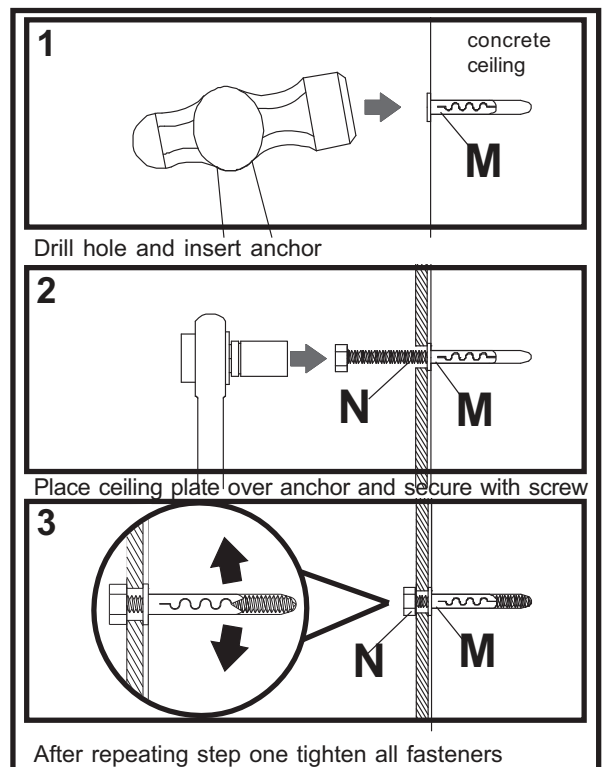
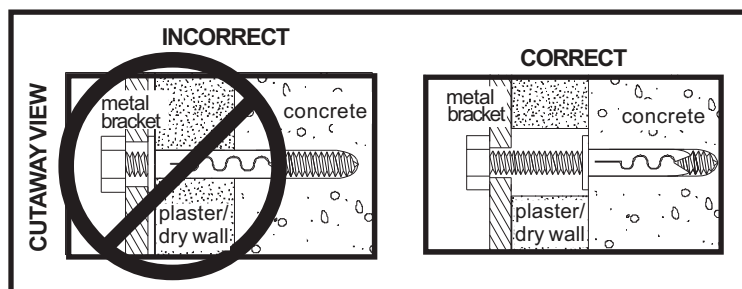
Illustration A

⚠ WARNING

- Tighten wood screws firmly, but do not overtighten. Overtightening can damage the bolt, greatly reducing its holding power.

⚠ WARNING

- Concrete anchors are **not** intended for attachment to concrete wall covered with a layer of plaster, drywall, or other finishing material. If mounting to concrete wall covered with plaster/drywall is unavoidable, plaster/drywall (up to 5/8" thick) must be counterbored as shown below. If plaster/drywall is thicker than 5/8", custom fasteners must be supplied by installer.



Installation of Extension Column

- 2 Attach threaded end of adjuster tube (AA) to threaded fitting in ceiling plate . Tighten securely aligning slot in end of adjuster tube (AA) with one of the holes in the side of threaded fitting. Insert and tighten one M4 x 3 mm allen cap screw (C) to lock adjuster tube (AA) to threaded fitting.

⚠ WARNING

- Installer must verify that the ceiling will safely support the combined weight of all attached equipment and hardware.

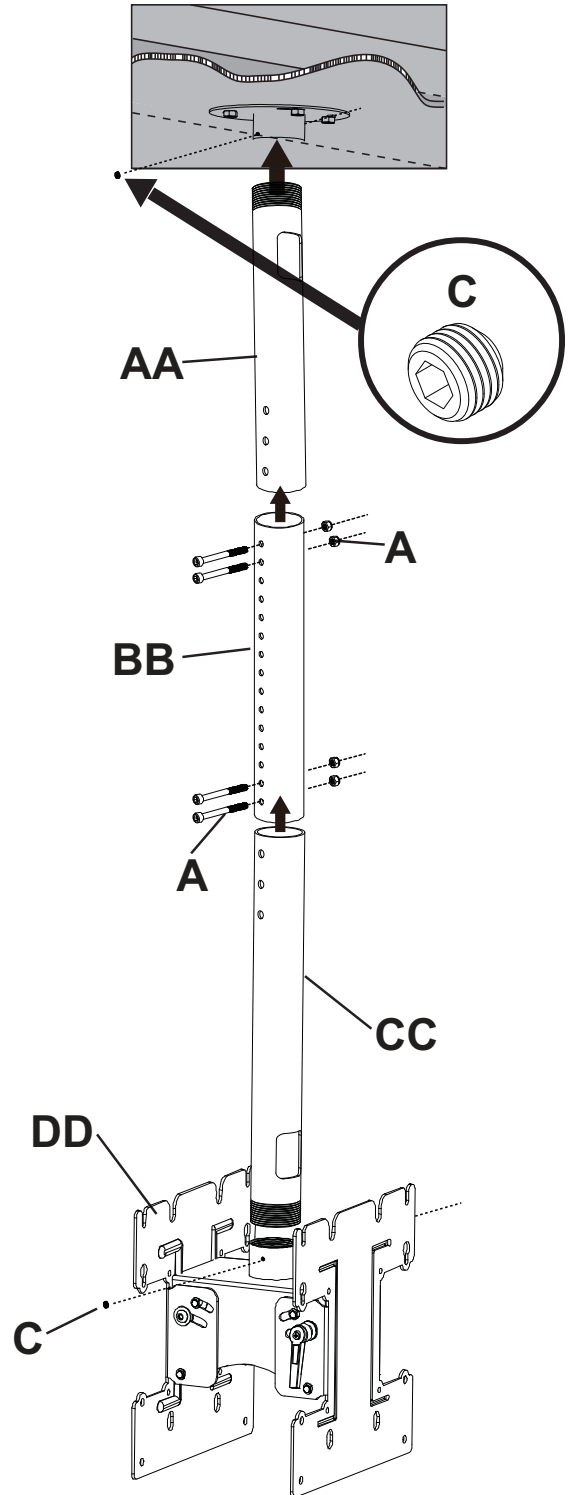
- 3 Slide extension pipe (BB) over adjuster tube (AA) to the desired height. Attach with two M8 x 60 mm hexagon fillister head screws (A) and lock nut (A).

Slide extension pipe (CC) over adjuster tube (BB) to the desired height. Attach with two M8 x 60 mm hexagon fillister head screws (A) and lock nut (A).

Attach threaded end of adjuster tube (DD) to threaded fitting in (DD) and lock nut (C).

⚠ WARNING

- Adjuster tube must be fully threaded (six or seven full turns) onto threaded fitting in ceiling plate and then locked with screw (C).



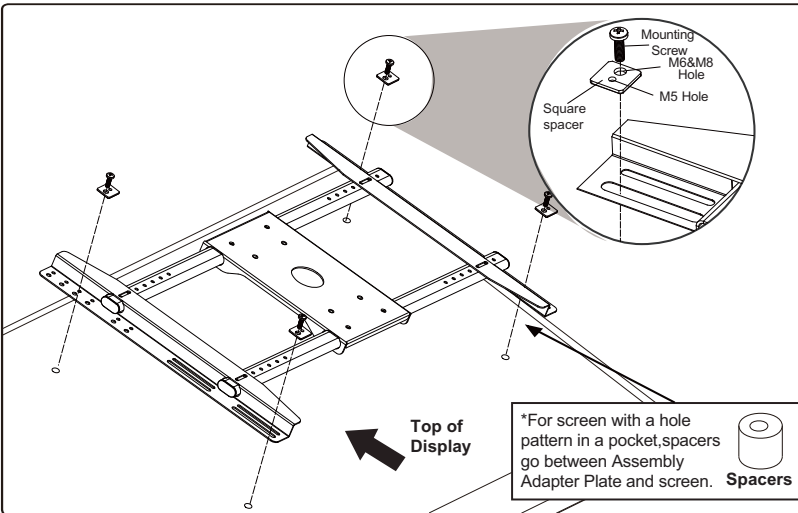
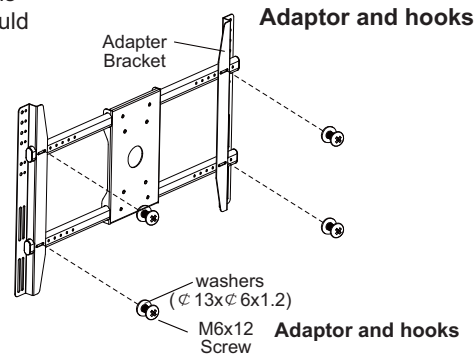
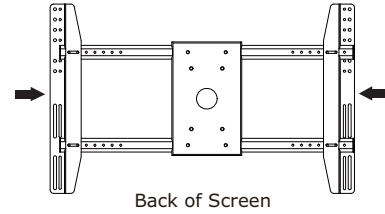
Mounting the Assembly Adapter Plate to screen

Modify the Adapter Plate

Adaptor Modify the Assembled Adapter Plate

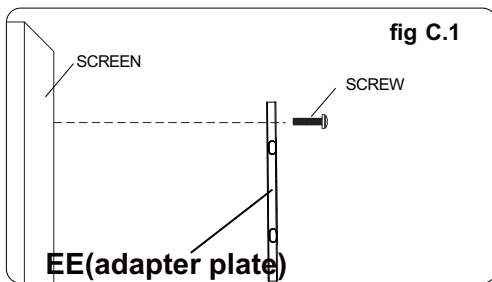
Slide the adapter brackets into Assembled adapter plate slightly. Place the Assembled Adapter Plate on the back of the display with one Adapter Bracket aligned with a set of vertical mounting holes. Then, slide the other Adapter Bracket in or out until it aligns with the second set of vertical mounting holes. The Adapter should be horizontally centered on the back of the flat panel display

Adaptor and hooks Use four M6x12 screws and four washers and tighten it with Phillips Head Screw Driver.

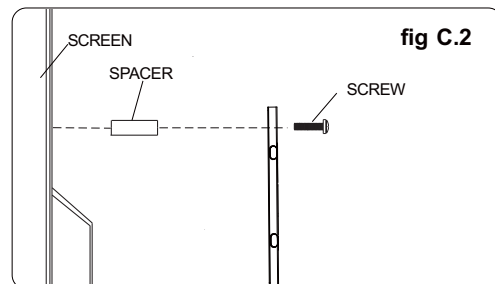


Note:
Recessed Mounting Holes.
If the mounting holes are recessed into the back of the display, use the supplied spacers to pack the recessed hole. If the mounting screw is M5&M6, use the Spacers 1.(K.1.) If the mounting screw is M8, use the Spacers 2.(K.2.) Ensure that the brackets are securely fixed to the display.

For Flat Back Screen

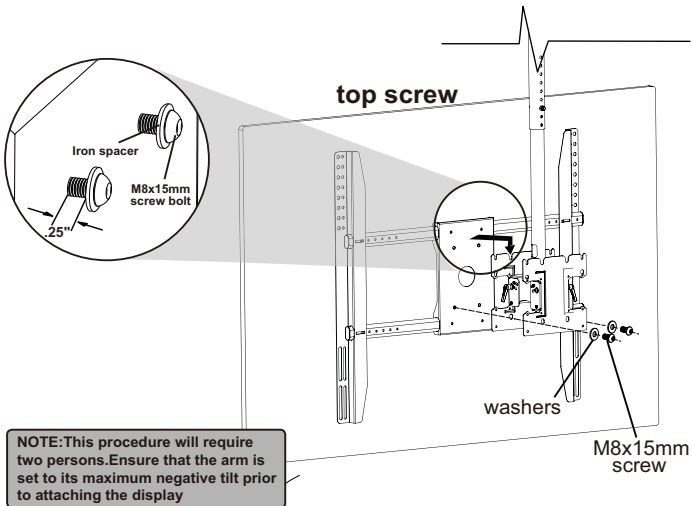


OR



Select the small, medium, large or extra large screws from the baffled .Fastener pack then attach screen brackets(AA) to screen following figure C.1 or C.2 on page 7.

Attach Assembly Adapter Plate to Assembly Arm



1. Insert two M8x15mm screws and two metal washers into swivel box on Assembly Adapter Plate as above shown. Leave approx. 1/4" of exposed thread.

2. Lift the display and hook it over the mounting head by lowering the exposed portion of the top screws down the open key slots.

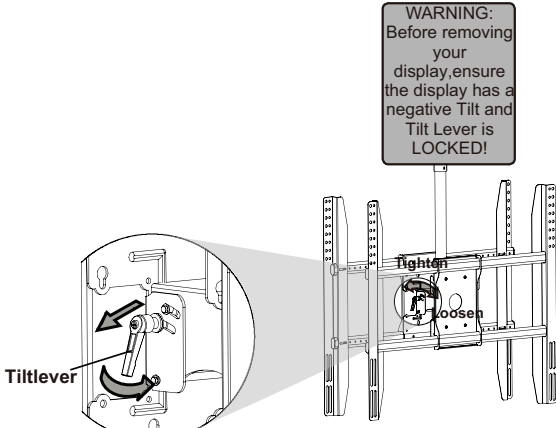
3. Once in position, attach the bottom two M8x15mm screws and two washers to secure the display to the mounting head using M5mm Allen Wrench.

NOTE: This procedure will require two persons. Ensure that the arm is set to its maximum negative tilt prior to attaching the display

Tilt Adjustment and cord Coves

1. Loosen Tilt levers (Only enough to allow controlled adjustment)
2. Adjust Tilt
3. Lock Tilt Levers (Tighten)
4. Once Tilt Levers are locked, the position of the levers can be adjusted without loosening or tightening the unit by pulling the levers outwards and then repositioning them to a vertical, less obtrusive position.

WARNING: Before removing your display, ensure the display has a negative Tilt and Tilt Lever is LOCKED!



Wire Management

pull cables up and through conduit .

