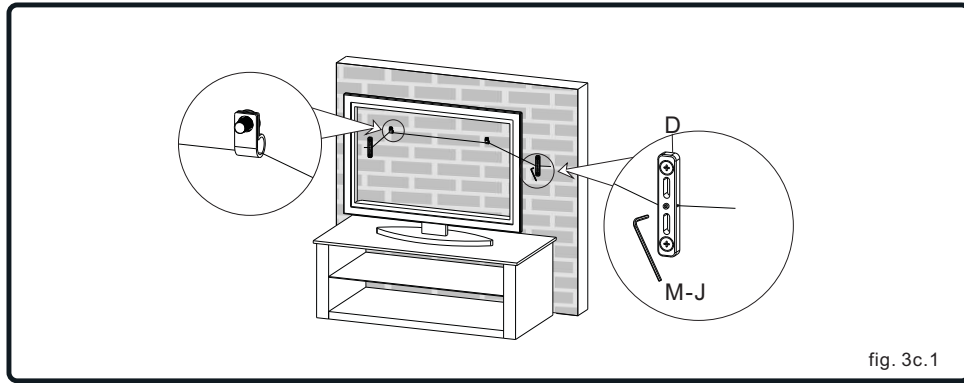
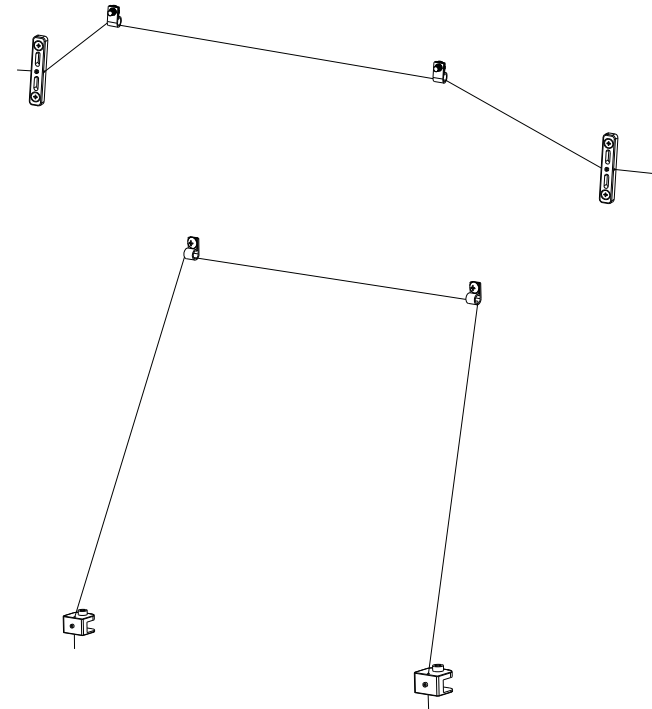


### 3c. Fixing the TV

- Run the wirerope through the holes of wire clips and locking blocks, adapt length of the wirerope up to your need, then fasten it with a 2mm allen key as shown in fig.3c.1.



## MONOPRICE® INSTALLATION INSTRUCTIONS



UNIVERSAL PLASMA & LCD SAFETY KIT

Model: PID 7666

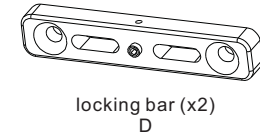
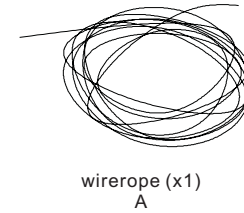
**NOTE:** Read entire instruction sheet before you start installation and assembly.

## WARNING

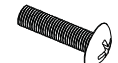
- Do not begin to installation of the product on you have read and understand the instructions and warnings contained in this Installation Sheet. If you have any question regarding any of the instruction or warning, Please contact your local distributor.
- Make sure that the supporting surface will safely support the combined load of the equipment and all attached hardware and components.
- Tighten screws firmly, but do not over tighten. Over tightening can damage the items, greatly reducing their holding power.
- This products intended for indoor use only. Use of this product outdoors could lead to product failure and personal injury.

## Component Checklist

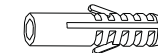
**IMPORTANT:** Ensure you have received all parts against the component checklist prior to installing. If any parts are missing or faulty, telephone the special franchiser for a placement.



## Package M



## Package W



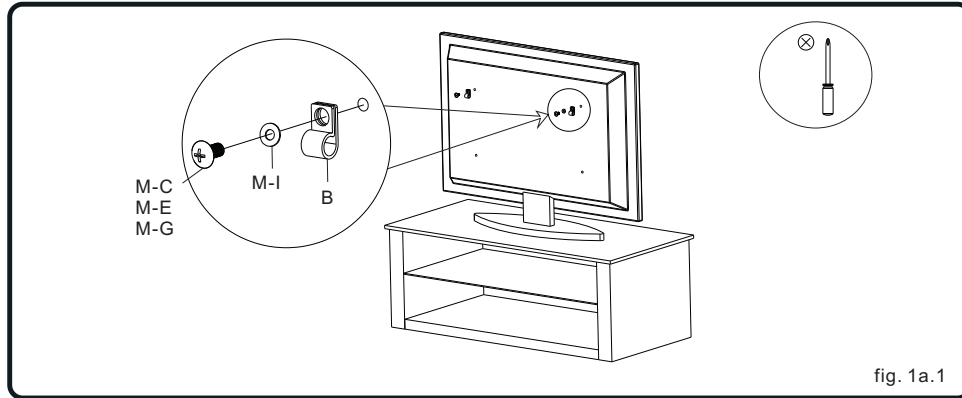
## Tools required

- Phillips Head Screw driver(200mm length exclude the handle)
- Electric drill and 6mm masonry bit for concrete wall installation
- Marking Pen
- Hammer

## 1 Glass shelf mounting:

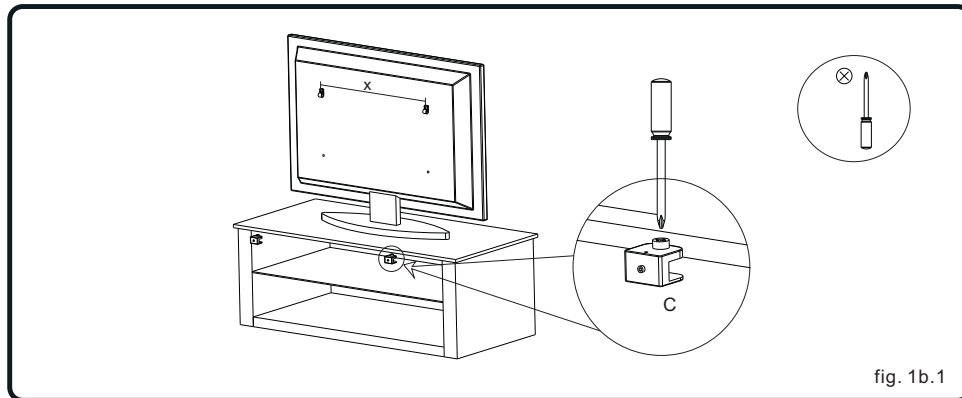
### 1a. Installing the wire clip

- To prevent scratching the screen, set a cloth on a flat, level surface that will support the weight of the screen.
- Place screen face side down. Place the wire clip on the back of screen, align to the top row mounting holes of the back of the screen.
- Attach the wire clip to the back of the screen using the appropriate combination of screws, washers, as shown in fig.1a.1.



### 1b. Installing the locking block

- Place two locking blocks on the edge of glass shelf. Make sure the distance between two locking blocks is "x+200mm".
- Tighten the screws on the locking block with a proper screwdriver, but do not over tighten as shown in fig.1b.1.



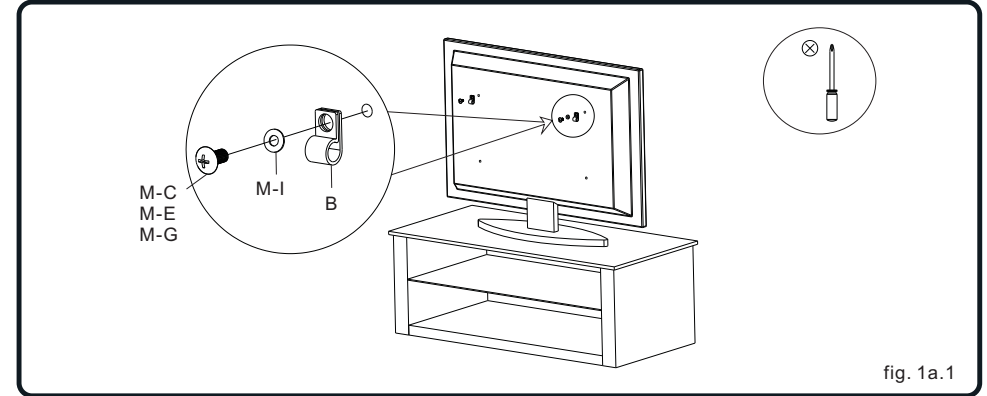
### 1c. Fixing the TV

- Run the wirerope through the holes of wire clips and locking blocks as shown in fig.1c.1, adapt length of the wirerope up to your need, then fasten it with a 2mm allen key as shown in fig.1c.2.

## 2 Wooden shelf mounting:

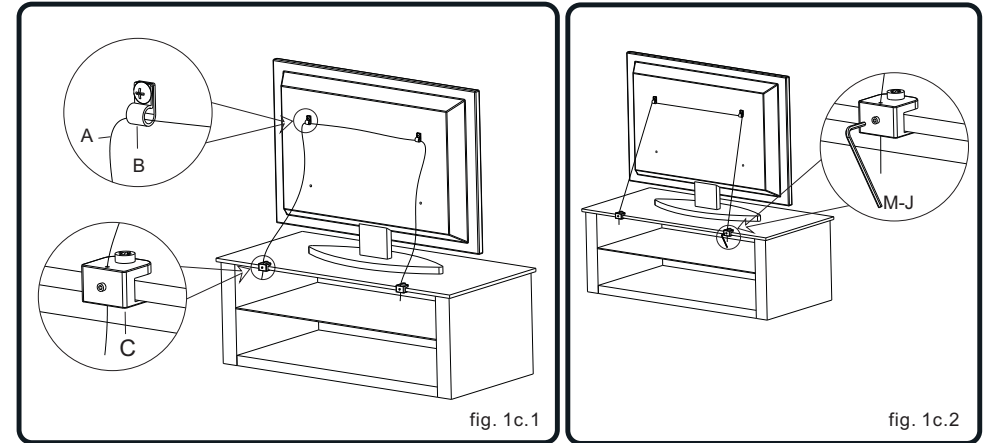
### 2a. Installing the wire clip

- To prevent scratching the screen, set a cloth on a flat, level surface that will support the weight of the screen.
- Place screen face side down. Place the wire clip on the back of screen, align to the top row mounting holes of the back of the screen.
- Attach the wire clip to the back of the screen using the appropriate combination of screws, washers, as shown in fig.2a.1.



### 2b. Installing the locking bar

- Attach the locking bars on the edge of wooden shelf using appropriate screws. Make sure the distance between two locking bars is "x+200mm".
- Tighten the screws on the locking bar with a proper screwdriver, but do not over tighten as shown in fig.2b.1.



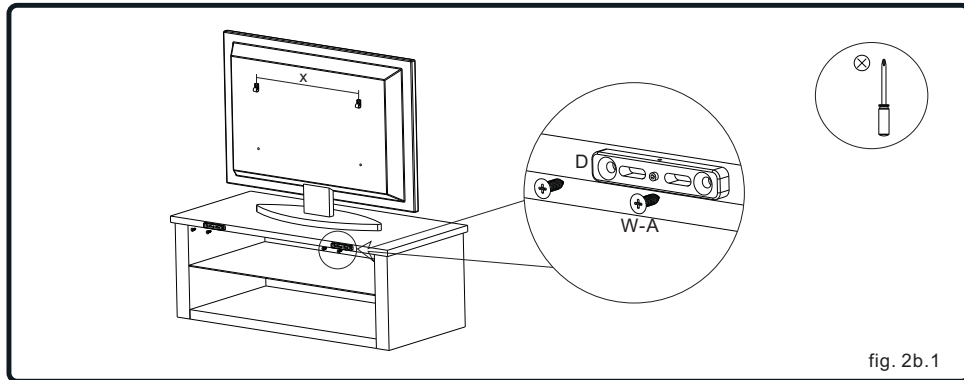


fig. 2b.1

### 2c. Fixing the TV

- Run the wirerope through the holes of wire clips and locking bars as shown in fig.2c.1, adapt length of the wirerope up to your need, then fasten it with a 2mm allen key as shown in fig.2c.2.

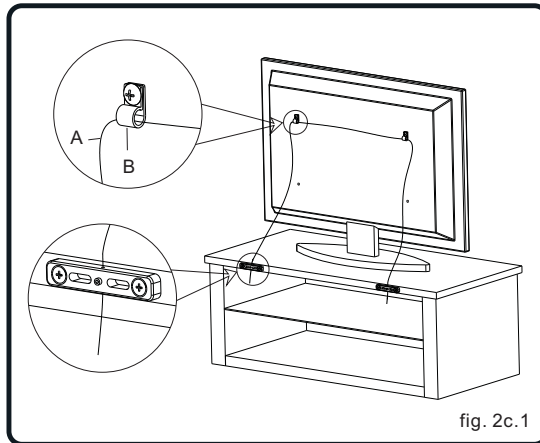


fig. 2c.1

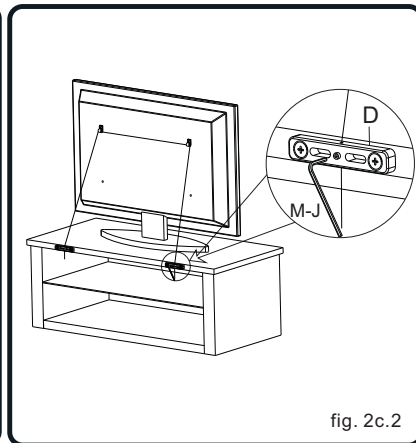


fig. 2c.2

### 3 Wall mounting:

## ⚠ WARNING

- When installing wall mounts on cinder block, verify that you have a minimum of 1-3/8" of actual concrete thickness in the hole to be used for the concrete anchors. Do not drill into mortar joints! Be sure to mount in a solid part of the block, generally 1" minimum from the side of the block. It is suggested electric drill on slow setting is used to drill the hole instead of a hammer drill to avoid breaking out the back of the hole when entering a void or cavity.
- Installer must verify that the supporting surface will safely support the combined load of the equipment and all attached hardware and components.

- Use the locking bars as a template to mark 4 holes locations on the wall, make sure the mounting holes are at the same level and the distance between two locking bars is L=200mm. as shown in fig.3a.1.
- Pre-drill these holes with a 6mm masonry bit to at least 50mm in depth. Insert a Concrete Anchor (W-B) into each of these holes. Attach the locking bars to the wall using 4 Lag Bolts (W-A) as shown in fig.3a.2 and fig.3a.3.

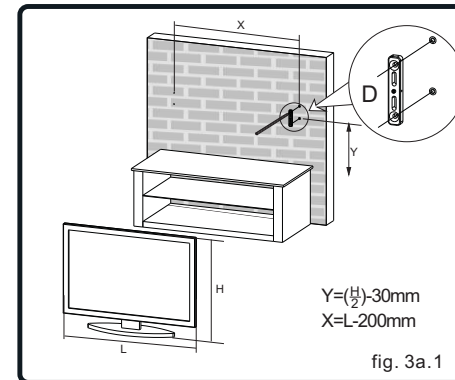


fig. 3a.1

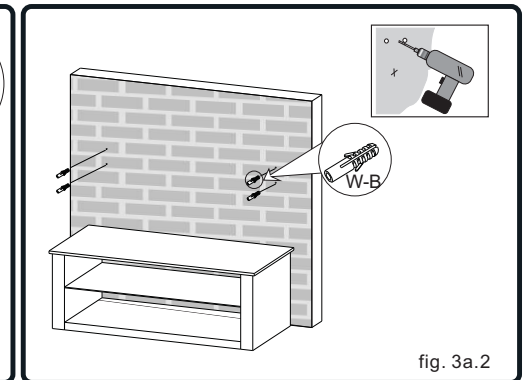


fig. 3a.2

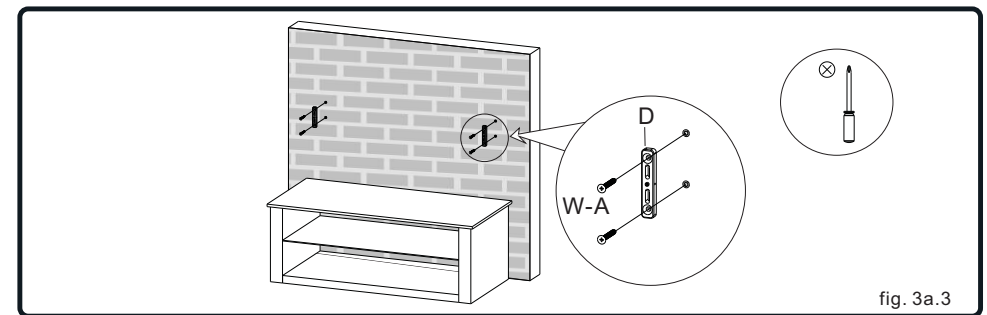


fig. 3a.3

### 3b. Installing the wire clip

- To prevent scratching the screen, set a cloth on a flat, level surface that will support the weight of the screen.
- Place screen face side down. Place the wire clip on the back of screen, align to the top row mounting holes of the back of the screen.
- Attach the wire clip to the back of the screen using the appropriate combination of screws, washers, as shown in fig.3b.1.

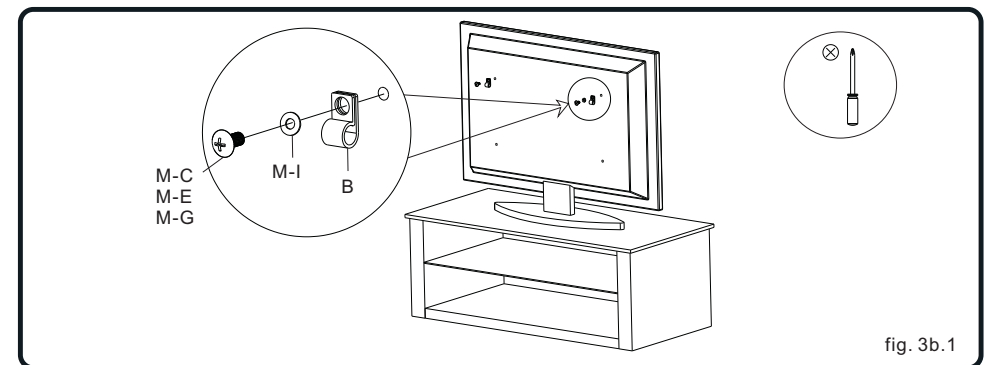


fig. 3b.1