



INSTALLATION GUIDE

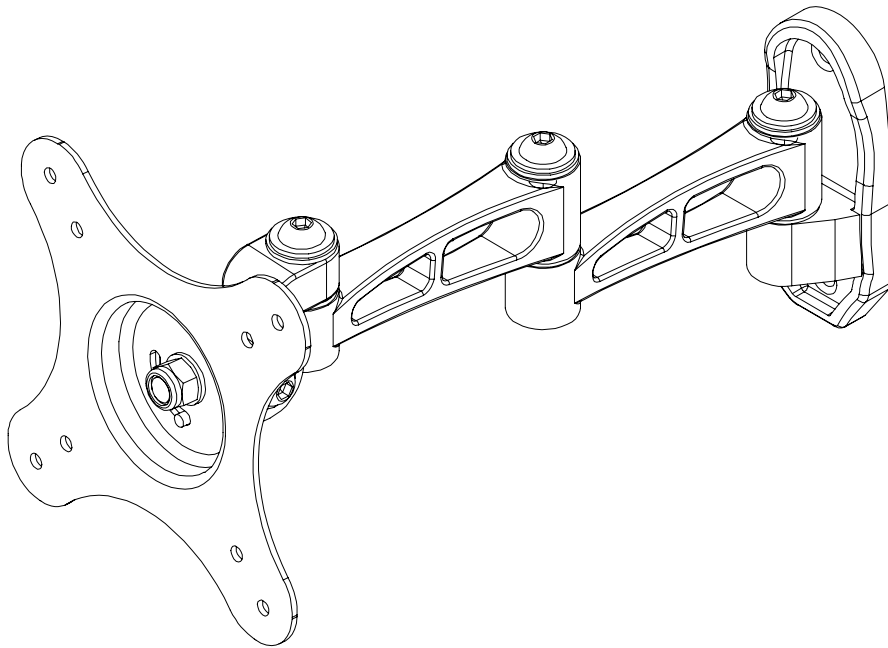
Flat Panel Arm Mount

MLA100-L

Support 10" to 24" Screens

Max Load Capacity: 30 lbs (15 kg)

VESA 100x100 compatible



Note: Read entire instruction sheet before you start installation and assembly.

WARNING

- Be sure to read this entire manual thoroughly and you fully understand all the instructions and warning before attempting to begin your installation.
- This product should only be installed by someone who has a basic knowledge of building construction, in stallions and fully understands these instructions.
- Make sure that the supporting surface will safely support the combined load of the mount, the display and all attached hardware and components.
- This wall bracket will only support flat panel displays(LCD,Plasma).The maximum load capacity is 30 pounds.
- If mounting to a wall of wood stud construction, be sure that mounting bolts are anchored to the center of the studs.
- Always have someone assist you to lift and position your equipment.
- Tighten screws and bolts firmly, but do not over tighten. Over tightening can damage the items and greatly reduce their ability to hold. Please refer to suggested torque values where applicable in these instructions.

Tools Needed for Assembly

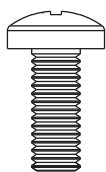
- stud finder ("edge to edge" stud finder is recommended)
- phillips screwdriver
- pencil
- drill
- 3/16"(4mm) drill bit for wood studs, 1/4"(6mm) drill bit for concrete
- level
- tape measure

Table of Contents

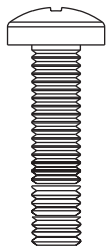
Parts List	3
Installation to Single Wood Stud Wall	4
Installation to Solid Concrete and Cinder Block	5
Fix the AA on the display screen with VESA® mounting pattern	6
Tilting	6

Before you begin, make sure all parts shown are included with your product.
Parts may appear slightly different than illustrated.

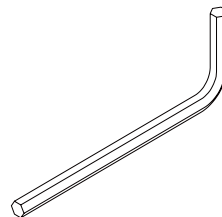
Parts List



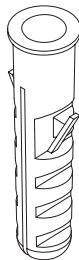
M4x12(x4)
philips pan head screw



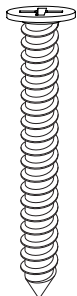
M4x20(x4)
philips pan head screw



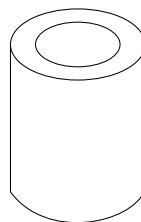
M5(x1)
allen wrench



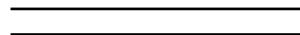
M6x40(x2)
concrete anchor



M6x60(x2)
cross slotted head screw

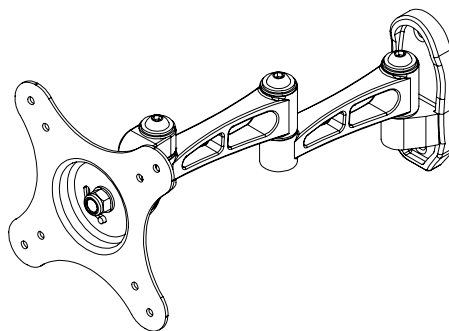


Ø 8.0x Ø 5.0x8(x4)
spacer



L=200(x2)
line

mount(AA)



Installation to Single Wood Stud Wall

⚠ WARNING

- Installer must verify that the supporting surface will safely support the combined load of the equipment and all attached hardware and components.
- Tighten wood screws so that wall plate is firmly attached, but do not overtighten. Overtightening can damage the screws, greatly reducing their holding power.
- Make sure that mounting screws are anchored into the center of the stud. The use of an "edge to edge" stud finder is highly recommended.
- Hardware provided is for attachment of mount through standard thickness drywall or plaster into wood studs. Installers are responsible to provide hardware for other types of mounting situations.

A Using a stud finder, locate and mark the edges of the wood stud. Use of an edge to edge stud finder is highly recommended. Use a level to draw a vertical line down the center of the stud. Use AA as template to mark center of holes along the vertical line. Drill two 1/8" (4 mm) dia. pilot holes 2" (50 mm) deep. Attach AA to wall using two M6 X 60 Cross countersunk head screws as shown in fig. A.2. Level plate, then tighten all fasteners.

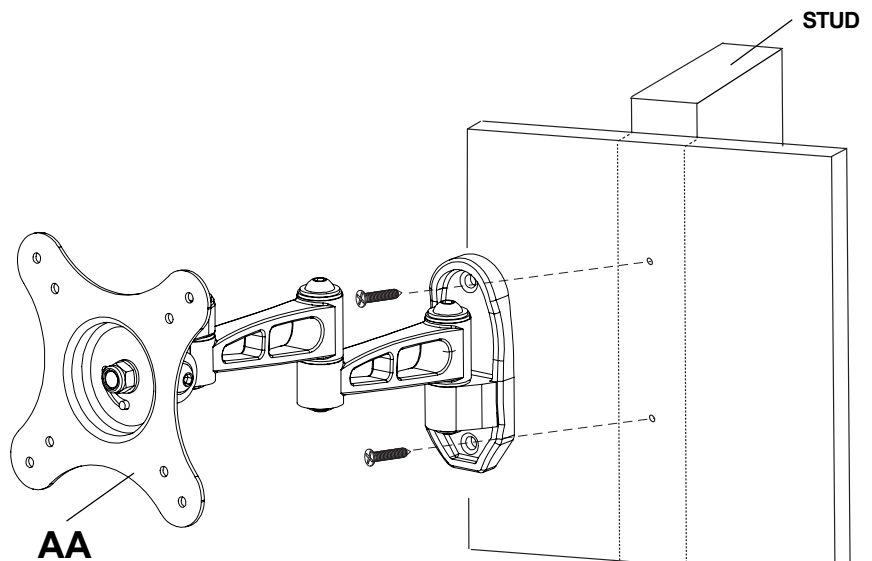
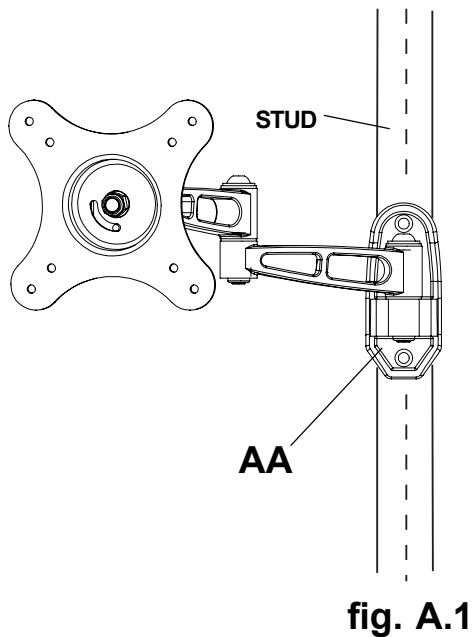
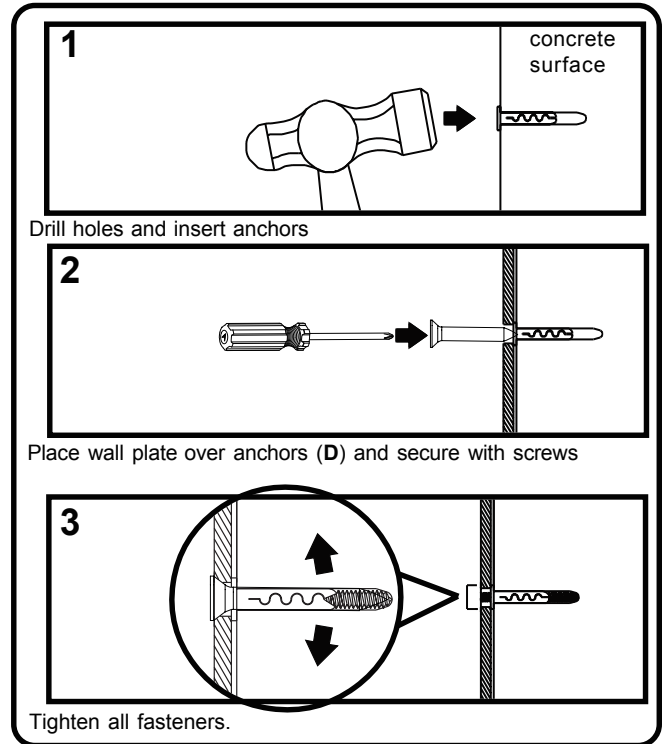


fig. A.2

Installation to Solid Concrete or Cinder Block

B Use wall plate (AA) as template to mark mounting holes. Drill two 1/4" (6 mm) dia. holes 2" (50 mm) deep as shown in fig. B.1. Insert concrete anchor in holes flush with wall as shown (right). Place wall plate over anchors and secure with M6x 60 Cross countersunk head screws. Level, then tighten all fasteners.



WARNING

- Tighten hex head bolts so that wall arm assembly is firmly attached, but do not overtighten. Overtightening can damage the screws, greatly reducing their holding power.

WARNING

- Always attach concrete anchors directly to load-bearing concrete.
- Never attach concrete anchors to concrete covered with plaster, drywall, or other finishing material. If mounting to concrete surfaces covered with a finishing surface is unavoidable, the finishing surface must be counterbored as shown below. Be sure concrete anchors do not pull away from concrete when tightening screws. If plaster/drywall is thicker than 5/8", custom fasteners must be supplied by installer.

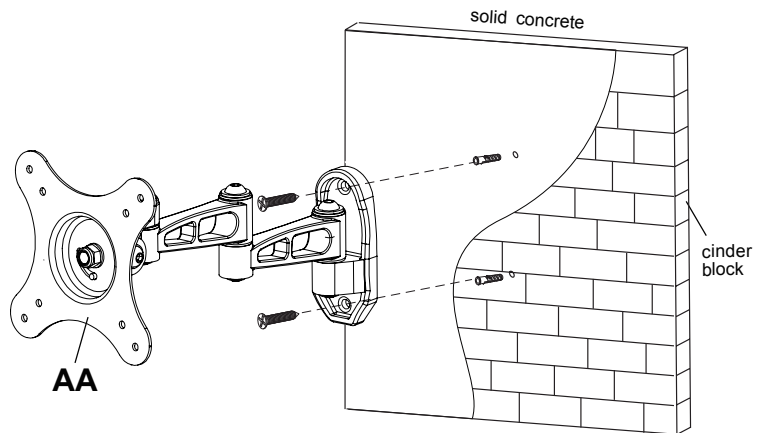
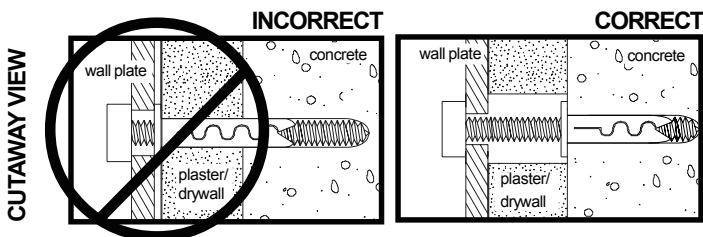


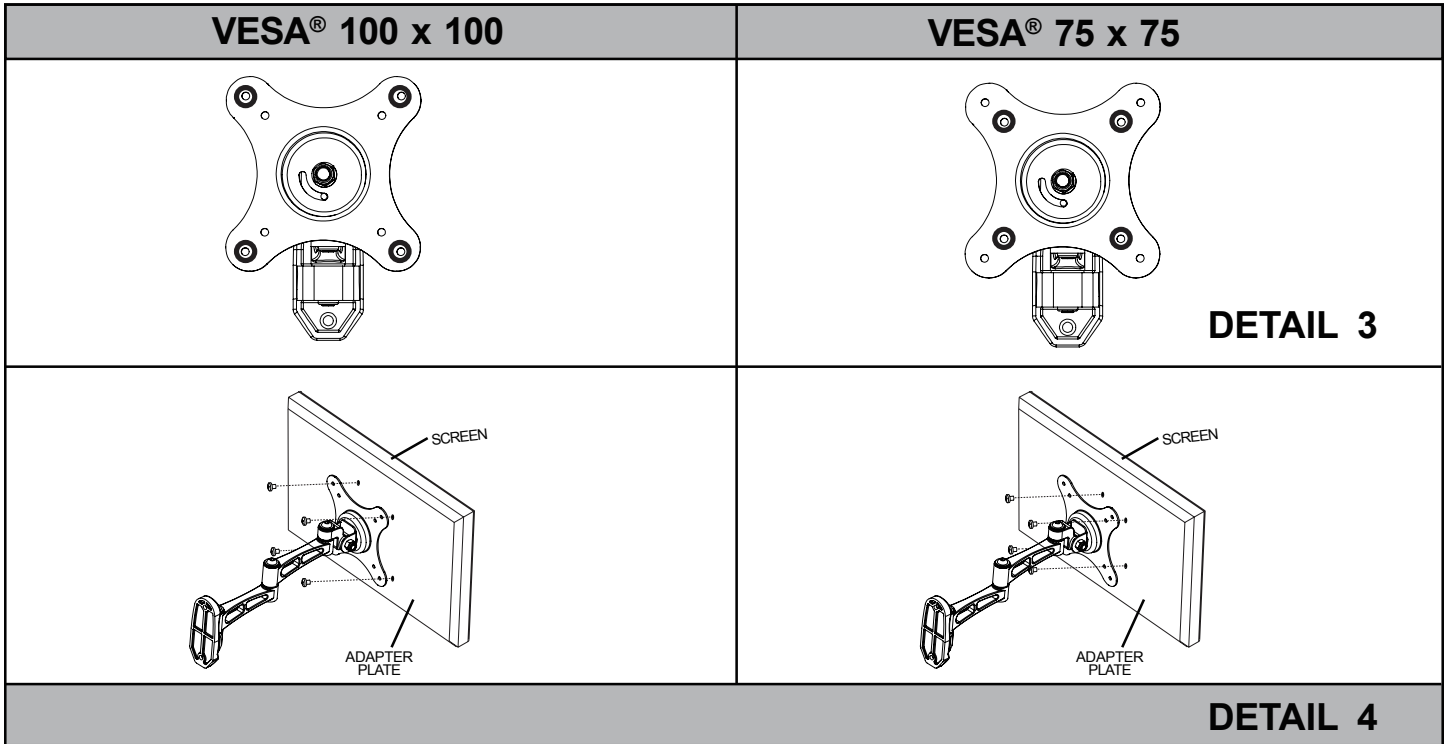
fig. B.1



Fix the AA on the display screen with VESA® mounting Pattern

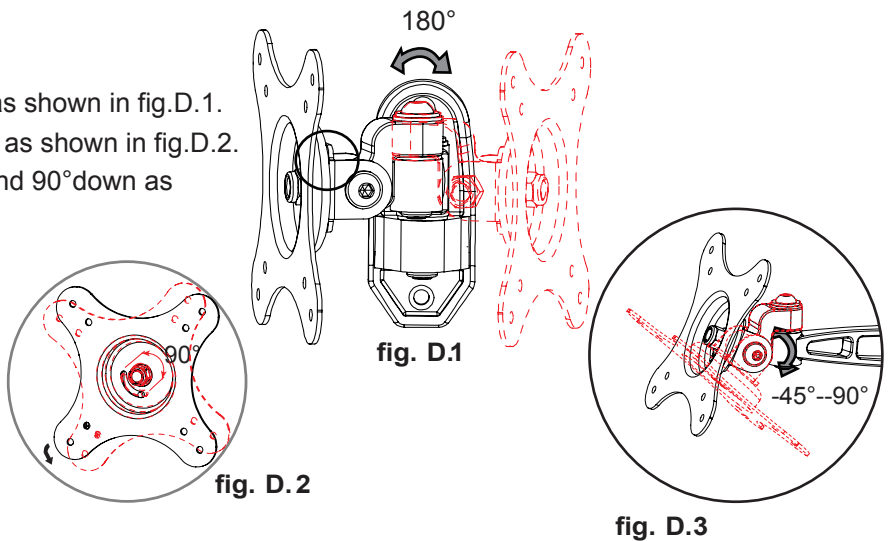
- C** Choose hole pattern as shown in detail 3 for VESA mounting pattern. Begin with the shortest length screw, hand thread through adapter plate into screen as shown in detail 4. Screw must make at least three full turns into the mounting hole and fit snug into place. Do not over tighten. If screw cannot make three full turns into the screen, select a longer length screw from the fastener pack. Repeat for remaining mounting holes. Securely tighten screws.

NOTE: Spacers may not be used, depending upon the type of screen.



Tilting

- D**
- The rotation angle of head is 180° as shown in fig.D.1.
 - The rotation angle of adapter is 90° as shown in fig.D.2.
 - The tilt angle of adapter is 45° up and 90°down as shown in fig.D.3.



⚠ CAUTION

- Be careful not to pinch fingers when opening and closing mount from the wall.

⚠ WARNING

- Do not remove or loosen screw while the mount is in use. Doing so may cause the screen to fall.