



INSTALLATION GUIDE

Super Thin TV Wall Mount

MDSF52

Support 32" to 52" Screens

Max Load Capacity: 150 lbs (68 kg)

VESA 400x600 compatible



Installation Instructions

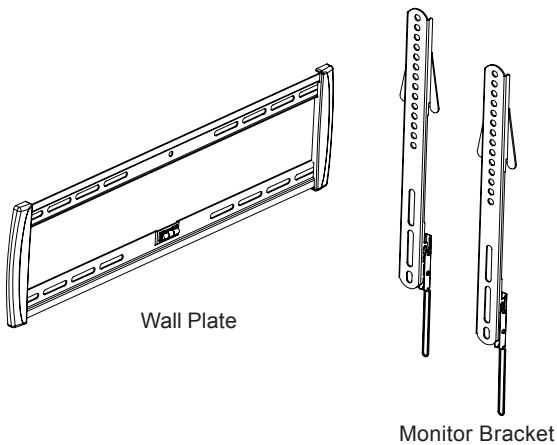
Model Name:MDSF-52

32"-52" SUPER SLIM TV WALL MOUNT

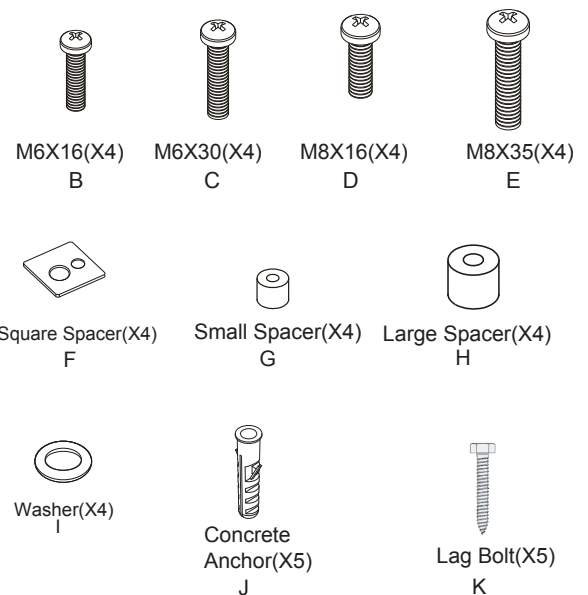
Important Notes

- Your screen will be only 0.59" from the wall.
- Unique horizontal level marker for easy installation.
- The 32"-52" universal fixed wall mount supports a maximum load of 68 kg(150lbs).
- The manufacturer does not accept responsibility for incorrect installation.

Component Checklist



PARTS LIST



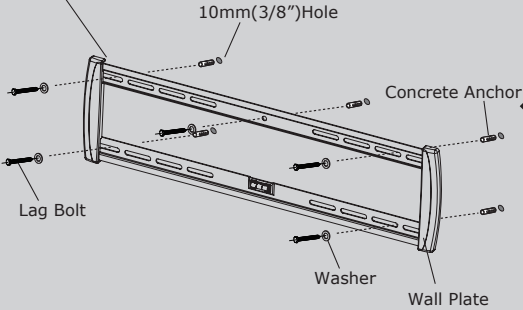
TOOLS REQUIRED:

- Power Drill
- 10mm or 6mm Drill Bit
- Phillips Head Screw Driver
- Level
- 13mm (1/2") Socket Wrench

1 Mounting Wall Plate

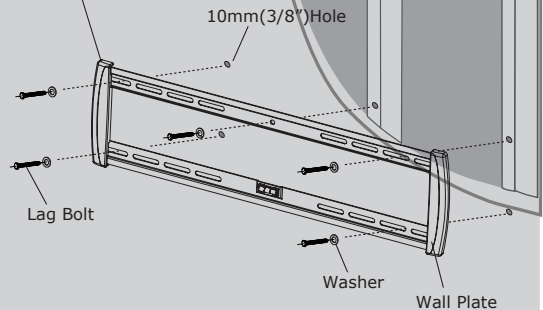
Masonry Wall

Note: Ensure the wall plate is mounted with the folded tabs pointing upwards.



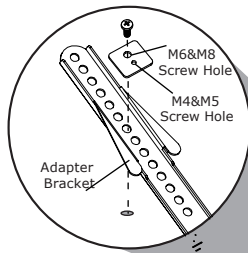
Timber Stud Wall

Note: Ensure the wall plate is mounted with the folded tabs pointing upwards.

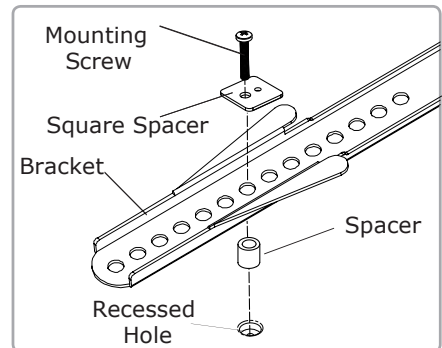
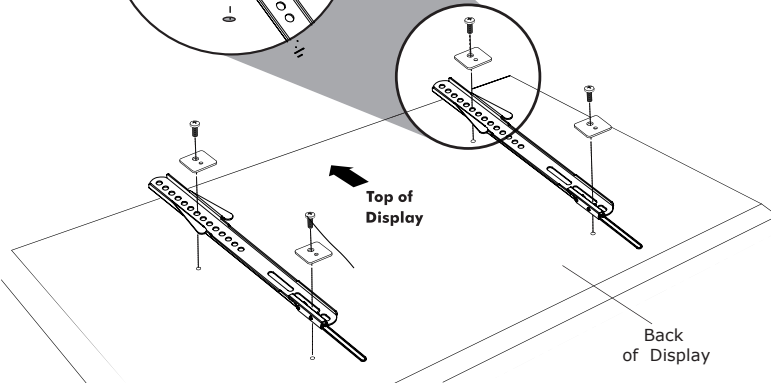


OR

2 Mounting Display Brackets



* NOTE:
When attaching the mounting screws to the display, make sure the direction of Brackets is correct and ensure that both brackets are vertically aligned.



3 Attaching Display to Wall Plate

Note: This procedure requires two people

