

Ceiling Recessed Projection Screen

P/Ns 7337, 7338, 7951, 30451, 30452, 30453

User's Manual

CONTENTS

SAFETY WARNINGS AND GUIDELINES	3
Installation and Operation.....	3
General.....	3
Power	4
CUSTOMER SERVICE.....	5
PACKAGE CONTENTS	5
PRODUCT OVERVIEW	6
INSTALLATION	6
WIRING	9
TENSION ADJUSTMENT	10
UP AND DOWN LIMITS	11
RS-232/RS-485 CONTROL	12
OPERATION.....	12
PROGRAMMING AND CLEARING THE REMOTE	13
Setting Programming.....	13
Clear Programming.....	13
REMOVING THE END CAPS	14
TECHNICAL SUPPORT	14
SPECIFICATIONS.....	15

SAFETY WARNINGS AND GUIDELINES

Please read this manual thoroughly, paying extra attention to these safety warnings and guidelines. Keep this manual in a safe place for future reference.

Installation and Operation

- This product should only be installed by a qualified structural contractor. Failure to follow proper structural code in regard to hanging equipment could result in serious injury or death.
- The ceiling structure to which this projector screen will be attached must have a minimum load bearing capacity four times the total weight of the screen.
- Frequently inspect the installation for imbalance and signs of wear or damage. Do not use if repair or adjustment is needed.
- Prior to operation, ensure that the sticker on the casing and underbar is removed.

General

- This device is intended for indoor use only.
- Do not expose this device to water or moisture of any kind. If water does get in or on the device, unplug it from its power source and allow it to fully dry before reapplying power.
- Do not touch the device, the power cord, or any other connected cables with wet hands.
- Do not expose this device to excessively high temperatures. Do not place it in, on, or near heat sources, such as a fireplace, stove, radiator, etc. Do not leave it in direct sunlight.
- All wires and cables installed inside the ceiling must be rated for in-wall/in-ceiling use by the UL or a similar certification agency. An in-wall rating is sufficient for residential installations, while a riser or plenum rating is required for commercial installations. Please refer to your local building regulatory agency for guidance.

- Do not place or install this device in an area where it can be exposed to excessive amounts of dust, humidity, oil, smoke, or combustible vapors.
- When it is extended, take care not to shake the screen or attempt to manually lift it up.
- This device has no user serviceable parts. Do not attempt to repair or disassemble this device.
- The motor requires no periodic lubrication.

Power

- Remove power from the AC circuit prior to wiring the motor to the circuit by turning off the circuit breaker or the main power switch to the building.
- This device requires a grounded/earthed power connection for safe operation.
- If using a fixed electrical connection (directly wired to a power source), install a quick disconnect device inline where it can be readily accessible. If using a standard AC power plug, ensure that the power outlet is readily accessible so that power can be removed in the event of an emergency.
- All wires and cables installed inside the ceiling must be rated for in-wall/in-ceiling use by the UL or a similar certification agency. An in-wall rating is sufficient for residential installations, while a riser or plenum rating is required for commercial installations. Please refer to your local building regulatory agency for guidance.
- Unplug this device from the power source when not in use.
- Take care to prevent damage to the power cord. Do not allow it to become crimped, pinched, walked on, or become tangled with other cords. Ensure that the power cord does not present a tripping hazard.
- Never unplug the unit by pulling on the power cord. Always grasp the connector head or adapter body.
- Ensure that power is turned off and disconnected before making any electrical connections.

- Remove the batteries from the controller if it will go unused for a lengthy period of time.

CUSTOMER SERVICE

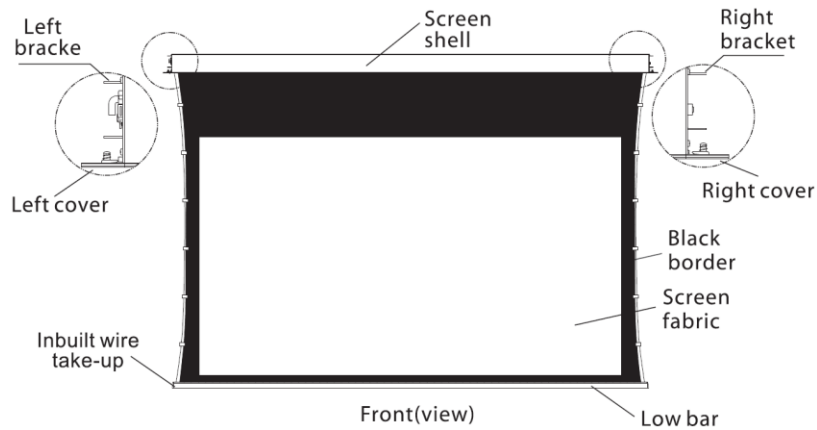
The Monoprice Customer Service department is dedicated to ensuring that your ordering, purchasing, and delivery experience is second to none. If you have any problem with your order, please give us an opportunity to make it right. You can contact a Monoprice Customer Service representative through the Live Chat link on our website www.monoprice.com during normal business hours (Mon-Fri: 5am-7pm PT, Sat-Sun: 9am-6pm PT) or via email at support@monoprice.com

PACKAGE CONTENTS

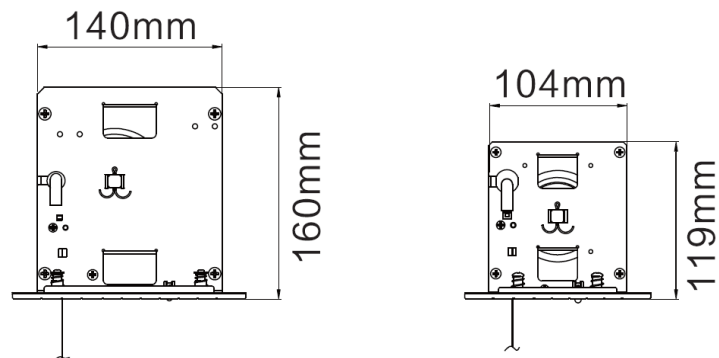
Please take an inventory of the package contents to ensure you have all the items listed below. If anything is missing or damaged, please contact Monoprice Customer Service for a replacement.

- 1x Projection screen
- 1x Left end cap
- 1x Right end cap
- 2x 50mm expansion screw rod
- 1x Adjustment key
- 1x User's manual

PRODUCT OVERVIEW



INSTALLATION



Model A: side view

Model B: side view

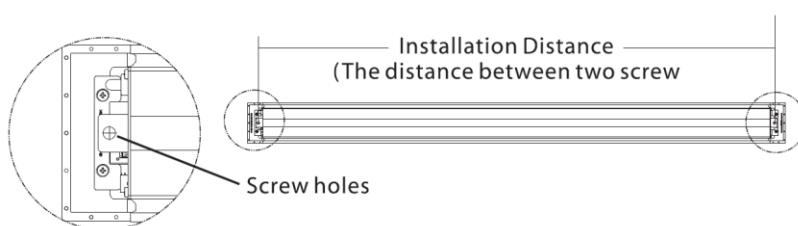
1. Measure, mark, and cut the ceiling cut-out. The cut-out dimensions depend upon the size/model of screen you have.

Model A: 7951, 30453 (≥150")

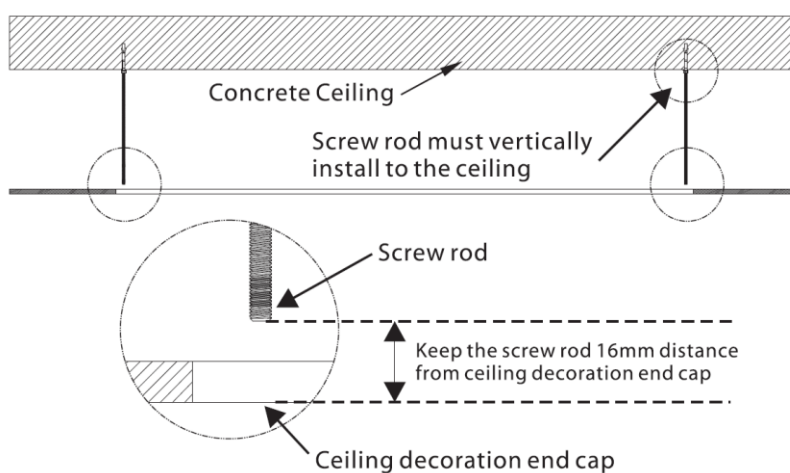
- Cut-out Length = Screen Length - 26mm
- Cut-out Width = 150mm
- Height ≥ 160mm

Model B: 7337, 7338, 30451, 30452 (<150")

- Cut-out Length = Screen Length - 26mm
 - Cut-out Width = 115mm
 - Height \geq 120mm
2. Carefully measure the distance from the closest wall to the center of the screen.
 3. Verify the length of the screen size by measuring the distance between the center of the two screw holes on the upper left and upper right brackets.

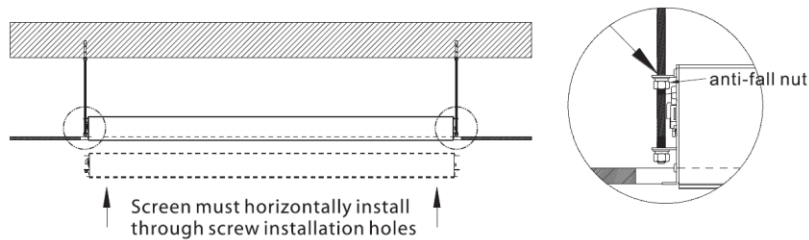


4. Use these measurements to mark your drill location in the roof structure.
5. Measure the distance between the roof structure and the ceiling. Cut the threaded rods to the measured length, minus 16mm (0.63"). If the distance is greater than 500mm, you will need to get longer 1/4" threaded rods and new concrete anchors.

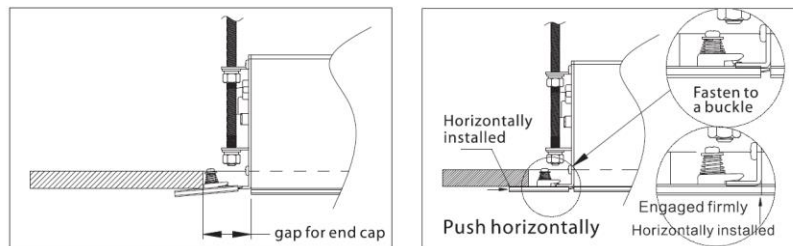


6. Mount the anchors and threaded rods in the desired location.

- Carefully lift the screen assembly to insert the threaded rod through the upper screw hole. Attach a safety nut 3-4" up the threaded rod. Repeat for the other side.



- Adjust the safety nut so the threaded rod goes through the lower screw hole. Loosely attach the lock nut.
- Use a carpenter's level to ensure the screen is level and at the proper height so it is flush with the ceiling. Adjust the safety nuts to level and raise or lower the screen, as needed.



- When the screen is flush and level, secure it in place using the lock nut on the lower bracket.
- Install the end caps.

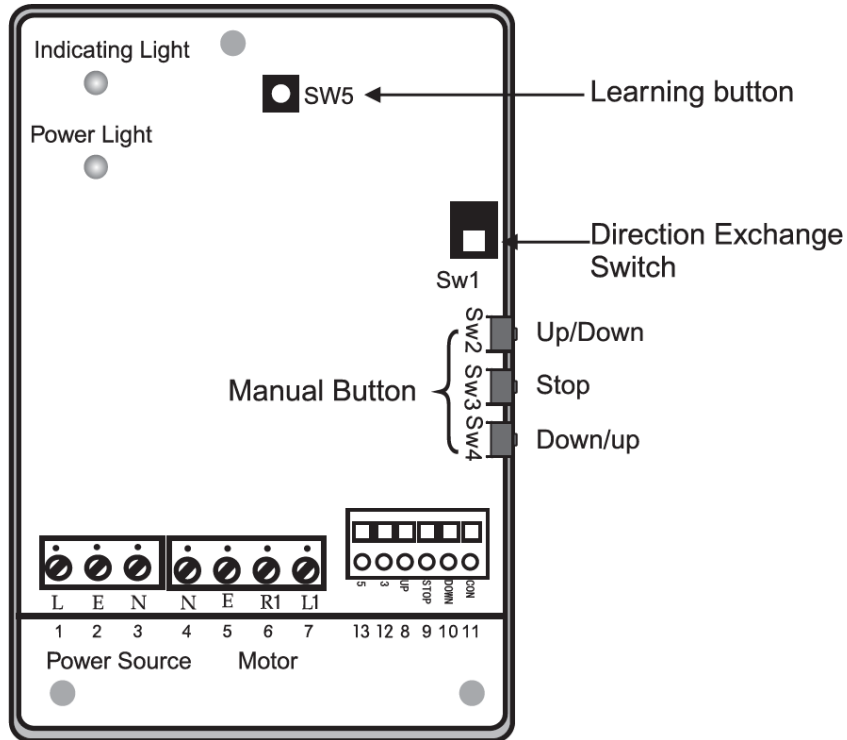
WIRING

Warning! Please unplug the receiver/power module before opening to make changes.

The receiver must be wired to an AC power source and to the motor prior to operation. Use the information in the following table to wire the power source, motor, and an external switch (optional).

Model	No.	ID	Name	230V Color	115V Color
Power Line	1	L	Live Wire	Brown	Black
	2	E	Earth Wire	Yellow Green	Green
	3	N	Null Wire	Blue	White
Motor Line	4	N	Null Wire	Blue	Blue
	5	E	Earth Wire	Yellow Green	Yellow Green
	6	R	Up/Down Wire	Brown	Brown
	7	L	Up/Down Wire	Black	Black
External Switch	8	Up	Up Wire	<p>Wall switch wiring diagram</p>	
	9	Stop	Stop Wire		
	10	Down	Down Wire		
	11	Con	Concentric Wire		
	12	3	RS-232 TXD		
	13	5	RS-232 GND		

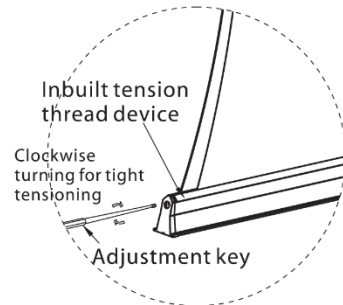
Note that if the screen raises when you select the down option and lowers when you select the up option, toggle the Direction Exchange Switch (SW1) to the opposite position.



TENSION ADJUSTMENT

(Models 30451, 30452, and 30453 only)

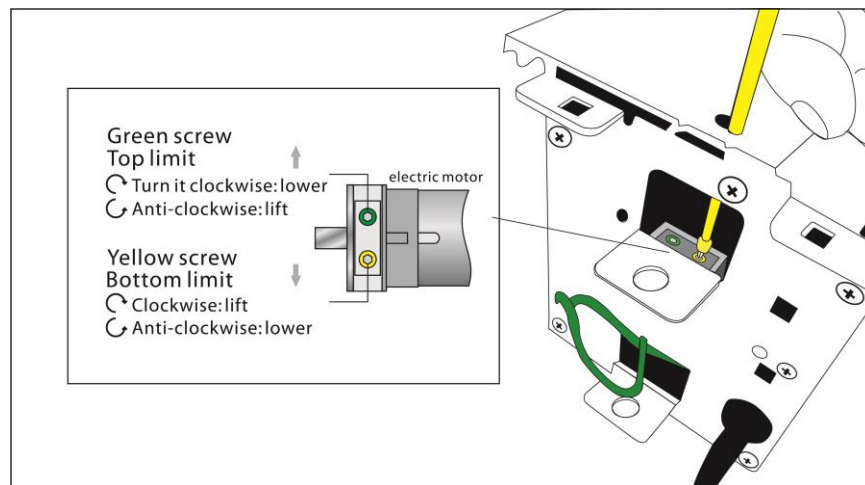
To adjust the tension, push the adjustment key into the adjustment hole, then push in and turn. Turn it clockwise to tighten the tension and counterclockwise to loosen the tension.



UP AND DOWN LIMITS

The screen up and down limits are set at the factory, so normally there is no need to adjust them. However, if the need arises, use the included adjustment key to adjust the up and/or down limits.

- Turn the green limit clockwise to retract the screen less or counterclockwise to retract the screen more.
- Turn the yellow limit clockwise to extend the screen less or counterclockwise to extend the screen more.



RS-232/RS-485 CONTROL

You can use a computer with RS-232 or RS-485 control to raise and lower the screen. The communications protocol is:

Data Bits: 8 digits	Initial Digits: Digit 1	Stop Digits: Digit 1	Baud Rate: 2400
---------------------	-------------------------	----------------------	-----------------

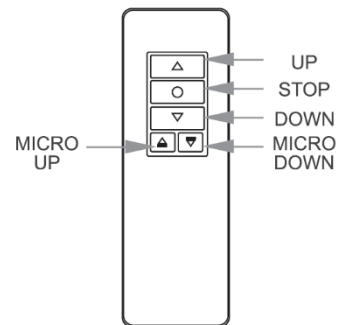
UP:	0xFF	0xEE	0xEE	0xEE	0xDD
STOP:	0xFF	0xEE	0xEE	0xEE	0xCC
DOWN:	0xFF	0xEE	0xEE	0xEE	0xEE
MICRO UP:	0xFF	0xEE	0xEE	0xEE	0xC9
MICRO DOWN:	0xFF	0xEE	0xEE	0xEE	0xE9
INITIAL CODE:	0xFF	0XX	0XX	0XX	0xAA

Note that the "xx" means any hex code except for "E"

OPERATION

The screen can be controlled using one of four methods:

1. Use the included RF remote control, or
2. Use the buttons on the receiver, or
3. Use an external dry contract switch, or
4. Use a computer to control the screen using RS-232 or RS-485 commands.



PROGRAMMING AND CLEARING THE REMOTE

(Models 30451, 30452, and 30453 only)

If you wish to use a remote control other than the one provided, you will need to ensure that it is an RF remote (not IR) operating at 868 MHz. You will then need to "program" the system to recognize the remote.

Setting Programming

1. Press the Learning Button (SW5) on the receiver. The LED will begin flashing green indicating that it is programming mode.
2. Press the Up/Stop button on your remote control until the LED stop flashing and illuminated steadily, indicating that the programming was successful.

Clear Programming

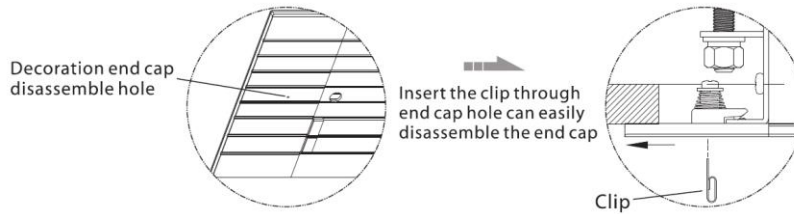
1. Press and hold the Learning Button (SW5) on the receiver for 5 seconds. The LED will flash slowly, then quickly.
2. Release the button, then press it once again. The LED will illuminate steadily, indicating that the programming is cleared.

Notes:

- You must set the programming within 15 seconds of pressing the Learning Button or the programming will fail.
- Do not start programming while the screen is in motion.
- When you program the system for a different remote control, the included remote will no longer work until the programming is cleared.

REMOVING THE END CAPS

If you need to remove the end caps, insert a paper clip into the end cap disassemble hole.



TECHNICAL SUPPORT

Monoprice is pleased to provide free, live, online technical support to assist you with any questions you may have about installation, setup, troubleshooting, or product recommendations. If you ever need assistance with your new product, please come online to talk to one of our friendly and knowledgeable Tech Support Associates. Technical support is available through the online chat button on our website www.monoprice.com during regular business hours, 7 days a week. You can also get assistance through email by sending a message to tech@monoprice.com

SPECIFICATIONS

Model	7337
Screen Size	106"
Aspect Ratio	16:9
Remote Control Type	IR
Screen Material	Fabric
Screen Color	Matte white
Screen Gain	1.0
Viewing Angles	160°
Viewing Area	92.4" x 52.0" (2346 x 1320 mm)
Total Screen Height	79.5" (2019mm)
Left/Right Borders	2.0" (50mm)
Top Border	24.8" (630mm)
Bottom Border	1.2" (30mm)
Power Requirements	100 ~ 120 VAC, 60Hz, 90 watts
Case Material	Aluminum
Case Dimensions	102.8" x 5.6" x 4.7" (2611 x 141 x 119 mm)
Weight	38.6 lbs. (17.5 kg)

Model	7338
Screen Size	120"
Aspect Ratio	16:9
Remote Control Type	IR
Screen Material	Fabric
Screen Color	Matte white
Screen Gain	1.0"
Viewing Angles	160°
Viewing Area	104.6" x 58.8" (2656 x 1494 mm)
Total Screen Height	79.3" (2013mm)
Left/Right Borders	2.0" (50mm)
Top Border	17.7" (450mm)
Bottom Border	1.2" (30mm)
Power Requirements	100 ~ 120 VAC, 60Hz, 90 watts
Case Material	Aluminum
Case Dimensions	115.0" x 5.6" x 4.7" (2921 x 141 x 119 mm)
Weight	42.3 lbs. (19.2 kg)

Model	7951
Screen Size	150"
Aspect Ratio	16:9
Remote Control Type	IR
Screen Material	Fabric
Screen Color	HD white
Screen Gain	1.0"
Viewing Angles	160°
Viewing Area	130.7" x 73.5" (3320 x 1867 mm)
Total Screen Height	86.5" (2197mm)
Left/Right Borders	2.0" (50mm)
Top Border	11.8" (300mm)
Bottom Border	1.2" (30mm)
Power Requirements	100 ~ 120 VAC, 60Hz, 90 watts
Case Material	Aluminum
Case Dimensions	141.7" x 7.0" x 6.3" (3598 x 177 x 160 mm)
Weight	86.4 lbs. (39.2 kg)

Model	30451
Screen Size	106"
Aspect Ratio	16:9
Remote Control Type	RF (868 MHz)
Screen Material	ISF Ultra HD
Screen Color	White
Screen Gain	1.3
Viewing Angles	160°
Viewing Area	92.4" x 52.0" (2346 x 1320 mm)
Total Screen Height	69.9" (1776mm)
Left/Right Borders	3.1" (80mm)
Top Border	15.7 lbs. (400mm)
Bottom Border	1.2" (30mm)
Power Requirements	100 ~ 120 VAC, 60Hz, 90 watts
Case Material	Aluminum
Case Dimensions	110.0" x 5.6" x 4.7" (2794 x 141 x 119 mm)
Weight	41.7 lbs. (18.9 kg)

Model	30452
Screen Size	120"
Aspect Ratio	16:9
Remote Control Type	RF (868 MHz)
Screen Material	ISF Ultra HD
Screen Color	White
Screen Gain	1.3
Viewing Angles	160°
Viewing Area	104.6" x 58.8" (2656 x 1494 mm)
Total Screen Height	76.8" (1950mm)
Left/Right Borders	3.1" (80mm)
Top Border	15.7" (400mm)
Bottom Border	1.2" (30mm)
Power Requirements	100 ~ 120 VAC, 60Hz, 90 watts
Case Material	Aluminum
Case Dimensions	122.2" x 5.6" x 4.7" (3104 x 141 x 119 mm)
Weight	45.2 lbs. (20.5 kg)

Model	30453
Screen Size	150"
Aspect Ratio	16:9
Remote Control Type	RF (868 MHz)
Screen Material	ISF Ultra HD
Screen Color	White
Screen Gain	1.3
Viewing Angles	160°
Viewing Area	137.7" x 73.5" (3320 x 1867 mm)
Total Screen Height	91.5" (2323mm)
Left/Right Borders	3.1" (80mm)
Top Border	15.7" (400mm)
Bottom Border	1.2" (30mm)
Power Requirements	100 ~ 120 VAC, 60Hz, 90 watts
Case Material	Aluminum
Case Dimensions	148.7" x 7.0" x 6.3" (3778 x 177 x 160 mm)
Weight	93.3 lbs. (42.3 kg)