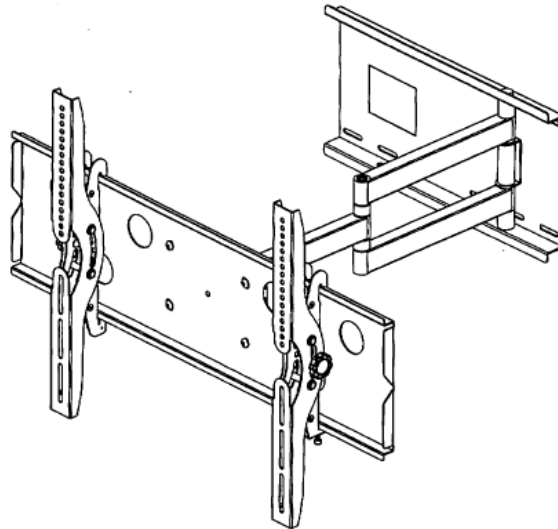


Monoprice Adjustable Tilt/Swivel Flat Panel Wall Mount

Model MLB-109B/RLB-102B (PID# 4926)

VESA Compliant up to 770x480

Max Weight: 125lbs



UNPACKING INSTRUCTIONS

- Carefully open the carton, remove the contents and lay them out on cardboard or other protective surface to avoid damage.
- Check the contents against the supplied parts list on the next page to assure that all components were received undamaged. Do not use any damaged or defective parts.


IMPORTANT SAFETY INFORMATION

Install and use this device with care. Please read this entire manual before attempting installation and carefully follow all instructions contained herein. Use proper safety equipment during installation.

Please call a qualified installation contractor for help if you:

- Don't understand the instructions in this manual or have any doubts about the safety of the installation.
- You are uncertain about the nature of your wall.

Do not use this product for any purpose or in any configuration not explicitly specified in these instructions. Monoprice hereby disclaims any and all liability for injury or damage arising from incorrect assembly, incorrect mounting or any incorrect use of this product.

| | | | |
|---|--|--|--|
|  WARNING | CAUTION! | | |
| | This TV mount must be securely attached to the vertical wall. If the mount is not properly installed it may fall, resulting in possible injury and/or damage. | | |

| | | | |
|-----------------------|------------------------|--------------------|------------------------|
| Tools Required | ■ 3/16" Drill Bit | ■ 1/2" Masonry Bit | ■ Wrench or Socket Set |
| | ■ Phillips Screwdriver | ■ Stud Finder | ■ Carpenter's Level |

Note: The mounting components and hardware supplied in this package are not designed for installation to wall with steel studs or to cinder block walls. If the hardware you need for your installation is not included, please consult your local hardware store for proper mounting hardware for this application.

Supplied Parts List



(1) Wall Plate-a



(1) Left Monitor Bracket-b



(1) Right Monitor Bracket-c



(1) Allen Key-d



(4) M4x12 Bolt-e



(4) M5x12 Bolt-f



(4) M6x12 Bolt-g



(4) M8x16 Bolt-h



(4) M4x30 Bolt-i



(4) M5x30 Bolt-j



(4) M6x35 Bolt-k



(4) M8x40 Bolt-l



(4) M4 Lock Washer-m



(4) M5 Lock Washer-n



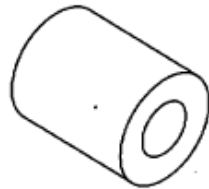
(4) M6 Lock Washer-o



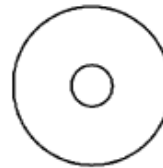
(4) M8 Lock Washer-p



(4) M4/M5 Space-q



(4) M6/M8 Space-r



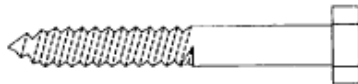
(8) M4/M5 Washer-s



(4) M6/M8 Washer-t



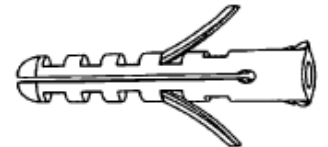
(2) Safety Bolt-u



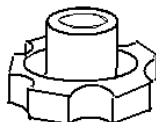
(6) Lag Bolt-v



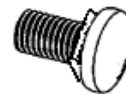
(6) Lag Bolt Washer-w



(6) Concrete Anchor-x



(2) Adjustment Knob -y

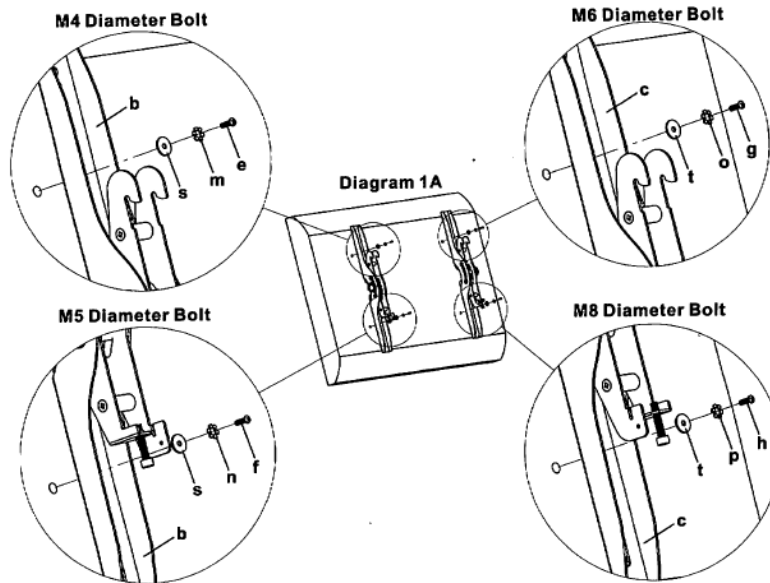


(2) Tilt Adjustment Bolt - z

Step 1A

Mounting the Monitor Bracket to a TV with a Flat Back

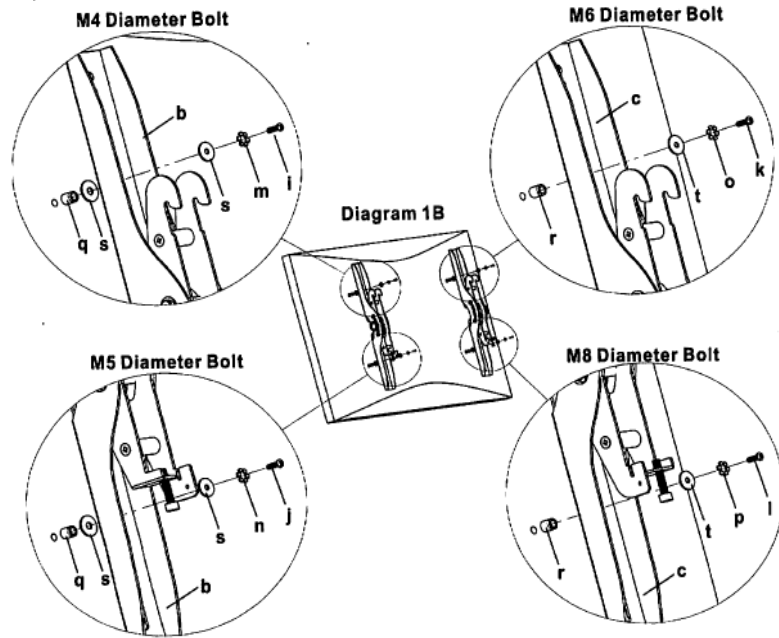
First of all, make sure one of the machine bolt diameters (part e, f, g or h) fits the mounting holes on your television. Once you have selected the correct size bolt, please use one of the four diagrams below respective to the bolt you will be using. You will thread each bolt to the TV using the appropriate lock washer (part m, n, o or p) and washer (part s or t). Please make sure the Monitor Brackets (part b & c) are vertically centered and level with each other. Install the adjustment knob (part y) and tilt adjustment bolt (part z) to the outside center of each of the monitor brackets.



Step 1B

Mounting the Monitor Bracket to a TV with a Curved Back

First of all, make sure one of the machine bolt diameters (part i, j, k or l) fits the mounting holes on your television. Once you have selected the correct size bolt, please use one of the four diagrams below respective to the bolt you will be using. You will thread each bolt to the TV using the appropriate lock washer (part m, n, o or p), washer (part s or t) and spacer (part q or r). Please make sure the Monitor Brackets (part b & c) are vertically centered and level with each other. Install the adjustment knob (part y) and tilt adjustment bolt (part z) to the outside center of each of the monitor brackets.



Step 2

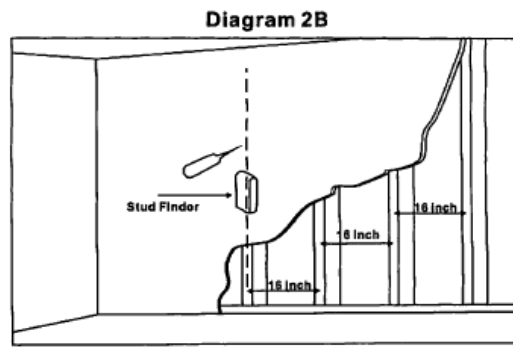
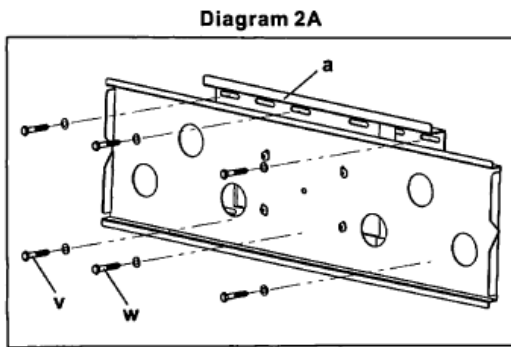
Mounting the Wall Plate to the Wall

Brick, Solid Concrete and Concrete Block Mounting:

Use the Wall Plate (part a) as a template to mark 6 hole locations on the wall. Three in the top row of slots and three more in the bottom row. Make sure these holes are level and there is at least 6" distance between any two holes. Pre-Drill these holes with a 1/2" masonry bit to at least 2.5" in depth. Insert a Concrete Anchor (part x) into each of these holes. Make sure the anchor is seated completely flush with the concrete surface even if there is a layer of drywall or the other material in front. Attach the Wall Plate to the wall using 6 Lag Bolts (part v) and 6 Lag Bolt Washers (part w), as shown in Diagram 2A.

Wood Stud mounting:

The Wall Plate (part a) must be mounted to two wood studs at least 16" apart. Use a stud finder to locate two adjacent studs. It is a good idea to verify where the studs are located with an awl or thin nail as shown in Diagram 2B. Pre-drill a 2.5" deep hole at the desired height in each stud using a 3/16" drill bit. Make sure these holes are in the center of the studs and level with each other. Use the Wall Plate as a template to mark the location of the second hole in each stud. Drill pilot holes at each of the marked locations. Attach the Wall Plate to the wall using the 4 Lag Bolts (part v) and 4 Lag Bolt Washers (part w).

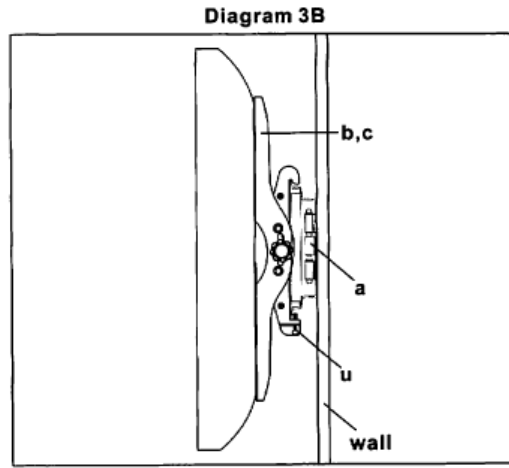
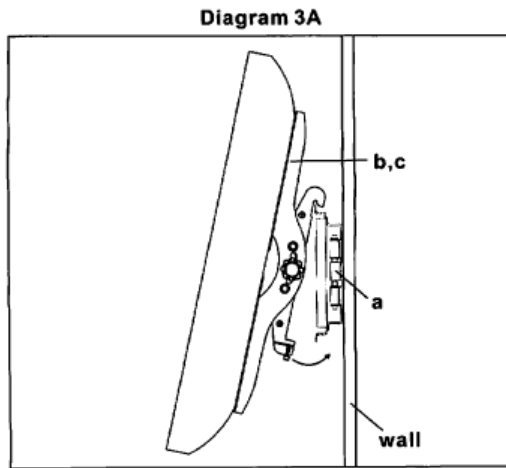


Step 3

Attaching Monitor to Wall Plate and Adding the Safety Bolts

Warning: Some TVs may require two people to lift! Monoprice is not responsible for personal injury or product damage.

First hook the Monitor Bracket (parts b & c) over the top of the wall plate (part a). Then, let the bottom of the monitor brackets rotated to the bottom of the wall plate as shown in Diagram 3A. Insert the safety bolts (part u) into the threaded holes in the bottom of the monitor brackets. Use the allen key (part d) to tighten the bolts. The monitor bracket should sit behind the bottom tab on the wall plate as shown in Diagram 3B. Use the tilt adjustment knob to lock the display into the tilt position you desire.



Thanks for Choosing a Monoprice Wall Mount. Enjoy!