

Easy Mount Recessed Low Voltage Cable Plate 45-0008

Slim Fit 45-0009

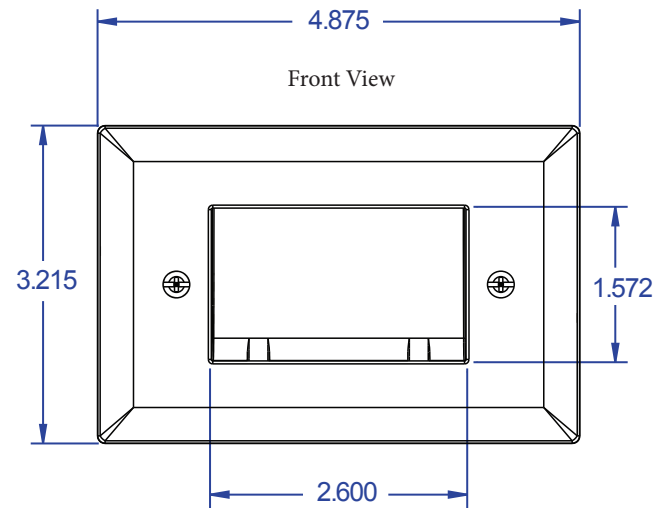


DataComm Electronics, Inc.

888.223.7977 / 770.662.8205 / www.datacommelectronics.com

SPECIFICATIONS: 45-0008

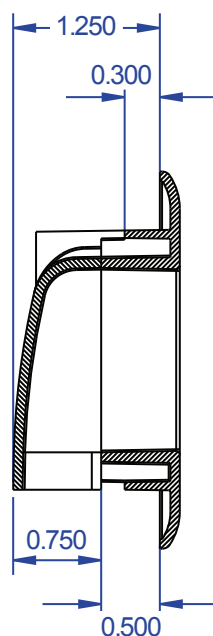
- ▶ Mid-size recessed plates
- ▶ Mounting wings are molded into the media plate and fasten tightly against the back of the drywall
- ▶ Plastic: ABS, UL
- ▶ ETL Listed
- ▶ Available colors: White, Lite Almond, Black and Ivory
- ▶ Mounting wings are designed for use in walls up to 1" in thickness



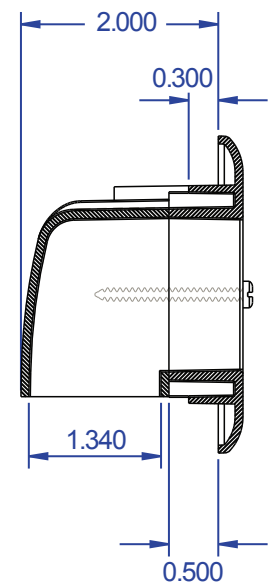
SPECIFICATIONS: 45-0009

- ▶ SLIM FIT
- ▶ For use where wall cavity is 3/4" to 1" in depth
- ▶ For use in concrete wall applications
- ▶ Available colors: White and Lite Almond

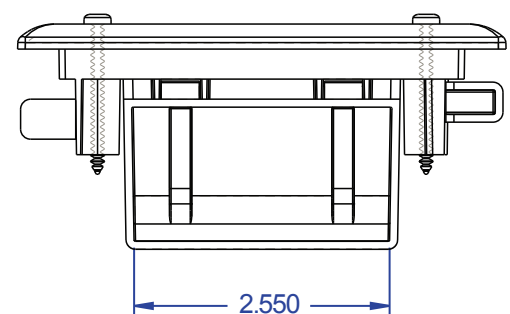
Side View 45-0009
SLIM FIT



Side View 45-0008



Bottom View - Scoop Width



RoHS Compliant

This product is patent protected by
U.S. Patent number: 7390964