

Product Specifications

14" Flush Mount Enclosure with Hinge Door 80-0014-HC

APPLICATIONS

The DataComm Electronics 14" Flush Mount Enclosure with Hinge Door features mounting holes for phone and video modules made by DataComm and other major manufacturers. Mounting holes in the back of the enclosure are compatible with DataComm's previous modules.



FEATURES

- Includes multiple knockouts for conduit up to 2" inches diameter.
- Includes a knockout for a single gang J-Box power module.
- Mounting slots simplify adjustment for different depths of sheetrock.
- Integrated cable tie anchors to assist in clean cable management inside the enclosure.
- Surface or flush mountable.
- Hinge Door overlaps the enclosure frame to hide uneven drywall edges.
- Cardboard insert included for prevention of drywall debris or paint over-spray.
- Standard 1" x 6" hole pattern accepts most brands of modules.
- 20-gauge steel construction.
- Glossy white finish.
- Meets FCC Part 68.
- Complies with TIA-568-C and TIA-570-B requirements.
- Enclosure not intended to be mounted in firewall applications.

STANDARD COMPLIANCE

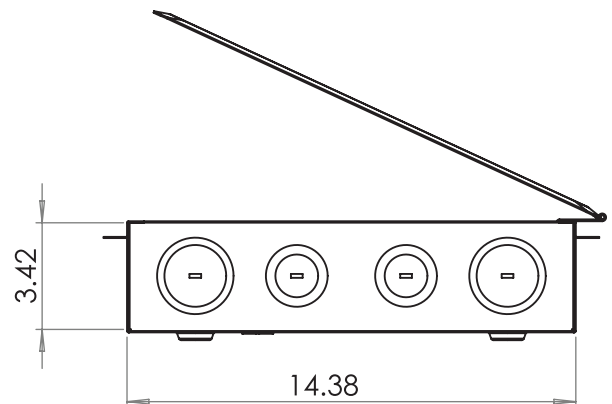
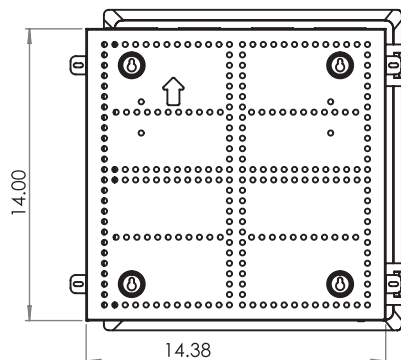
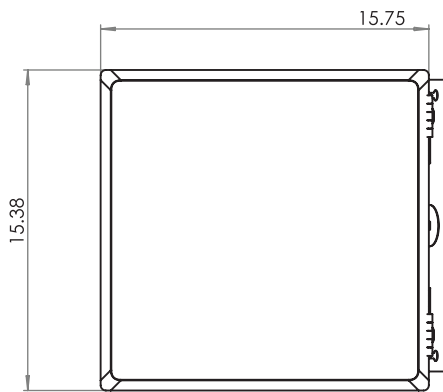
- ETL Listed
- Conforms to UL Standard 1863
- ANSI/UL STD 60950-1
- Certified to CAN/CSA STD C22.2 NO 60950-1

COUNTRY OF ORIGIN

China

PHYSICAL SPECIFICATIONS

Dimensions: Enclosure: 14" H x 14.38" W x 3.78" D
Cover: 15.38" H x 15.75" W



Product Specifications

14" Flush Mount Enclosure

80-0014-SC

APPLICATIONS

The DataComm Electronics 14" Flush Mount Enclosure with Screw Cover features mounting holes for phone and video modules made by DataComm and other major manufacturers. Mounting holes in the back of the enclosure are compatible with DataComm's previous modules.



FEATURES

- Includes multiple knockouts for conduit up to 2" inches diameter.
- Includes a knockout for a single gang J-Box power module.
- Mounting slots simplify adjustment for different depths of sheetrock.
- Integrated cable tie anchors to assist in clean cable management inside the enclosure.
- Surface or flush mountable.
- Screw Cover overlaps the enclosure frame to hide uneven drywall edges.
- Cardboard insert included for prevention of drywall debris or paint over-spray.
- Standard 1" x 6" hole pattern accepts most brands of modules.
- 20-gauge steel construction.
- Glossy white finish.
- Meets FCC Part 68.
- Complies with TIA-568-C and TIA-570-B requirements.
- Enclosure not intended to be mounted in firewall applications.

STANDARD COMPLIANCE

- ETL Listed
- Conforms to UL Standard 1863
- ANSI/UL STD 60950-1
- Certified to CAN/CSA STD C22.2 NO 60950-1

COUNTRY OF ORIGIN

China

PHYSICAL SPECIFICATIONS

Dimensions: Enclosure: 14" H x 14.38" W x 3.78" D
Cover: 15.38" H x 15.75" W

